

ACCESS PANEL SOLUTIONS INC

PRODUCT CATALOGUE



Welcome! This binder contains resources on all **BAUCO**[®] product groups, as well as our wide range of our custom-manufacturing capabilities and customer service offerings.

Our team of product and logistics specialists will work with you to design access panel solutions, work with your project managers on budgeting, and manage the delivery to your project site - on time and on budget!

Here you'll find reference projects, technical drawings, customer comments, and examples of finishing treatments.

Contact information and quote request form available online or call the Bauco team toll free!

www.BAUCO.com
Toll Free: 1-877-592-0033
Local: 1-250-592-0033

PRODUCT OVERVIEW



BAUCO® Plus II

Drywall Access Panel with rear-mount frame

- Concealed hardware (frame, latch, and hinge)
- Ships with drywall installed
- Fully removable door
- Superior sound barrier



BAUCO® Paint-Ready

Durable, factory-primed door leaf option for BAUCO® access panels

- Available as option with the BAUCO® plus II and BAUCO® rondo
- Door leaf finished flush and frameless, ready to paint
- Proven durability and humidity tested construction



BAUCO® Air

Integration of air return and clean access openings, flush with surfaces

- Frameless air-return grille
- Can install into any drywall surface
- Variety of core styles and sizes



BAUCO® Rondo

Round access panel that blends with curved or oval design themes

- Virtually invisible access
- Concealed hardware (frame, latch, and hinge)
- Ships with drywall installed
- Fully removable door



BAUCO® XL

Extra large, hinged, virtually invisible, access panel

- Front mounted frame with finishing bead for all GWB
- Ships with drywall installed
- Fully removable door
- Superior sound barrier



BAUCO® Softline

Galvanized sheet metal access door with soft transition frame

- Concealed hardware (latch and hinge), touch latch or keyed
- Clean, white powder-coated finish, no painting required
- Mounts to studs, stone, brick, etc.
- Fully removable door



BAUCO® Plus

Drywall Access Panel with rear-mount frame and fixed hinge

- Cam latch (optional touch, keyed, or torx latch)
- Ships with drywall installed
- Allows door to open to 90 degrees
- Perimeter gasket installed on site

TABLE OF CONTENTS

Service Overview	5
Gallery of Installation Examples	7
Selected Projects Worldwide	13
Customer Testimonials	14
Custom Solutions	15
BAUCO® Plus II (Drywall Access Panel with rear-mount frame)	16
Description	17
Standard Size Chart	18
Submittal Sheet Standard.....	19
Submittal Sheet Multi-leaf.....	20
Installation Instructions.....	21
Acoustics	24
BAUCO® Paint-Ready (Factory primed door leaf option).....	25
Description	26
Installation Instructions	27
BAUCO® Air (Clean air return grille)	32
Description	33
Finishing	36
BAUCO® Softline (Soft edge metal door).....	38
Description	39
Standard Size Chart	41
Specifications	44
BAUCO® Rondo (Circular panels for drywall)	45
Description	46
Installation	49
BAUCO® XL (Extra large, hinged, virtually invisible, access panel).....	50
Description	51
Standard Size Chart	52
Specifications	53
Installation Instructions	54
BAUCO® Plus (Drywall Access Panel, rear-mounted frame, fixed hinge)...	56
Description	57
Standard Size Chart	58
Submittal Sheet Standard	59
Submittal Sheet Multi-Leaf.....	60
Installation Instructions.....	61
BAUCO® Product Specification Guide.....	63

SERVICE OVERVIEW

Let us solve your design problems with our proven process!



BAUCO® offers skilled technical advice for your most challenging projects.

You can spend many hours choosing the perfect finishes and creating the best spaces only to have them marred by unsightly access to service installations. At Bauco Access Panel Solutions Inc. we use quality materials and intelligent design to solve your access problems, while protecting the beauty and integrity of your designs and finishes.

PROVEN PROCESS

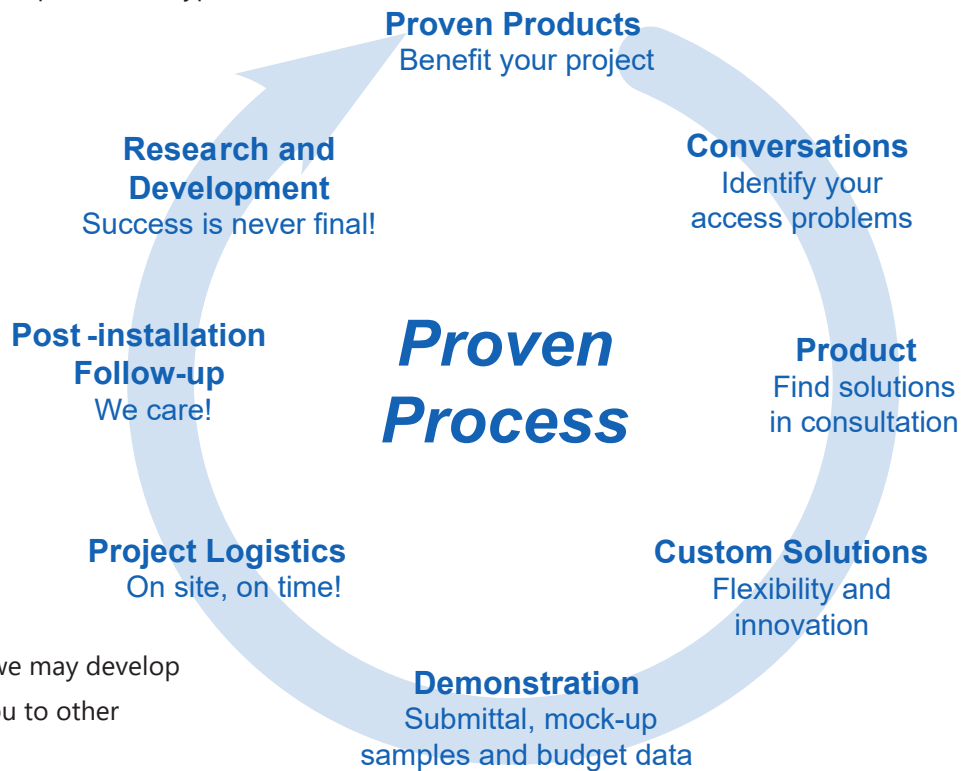
Our staff follows a proven process to work with you and your construction team from product selection, over mock-up sample, submittal documents and logistics to sales follow-up. Our experience benefits your project.

SPECIFICATION ADVICE

Our product specialists work with you to determine the optimal solution to your access panel problem. A typical conversation between client and product specialist touches on:

- » Access panel design and size
- » Orientation, latch options
- » Surface finishes
- » Alignment with other design features
- » Security, acoustics
- » Budgets, timing, samples
- » mock-ups, submittal drawings
- » Job-site logistics, project management, etc.

If we don't have a ready solution, we may develop one exclusively for you or direct you to other experienced suppliers.





Our customer service specialists provide budget and logistical support.

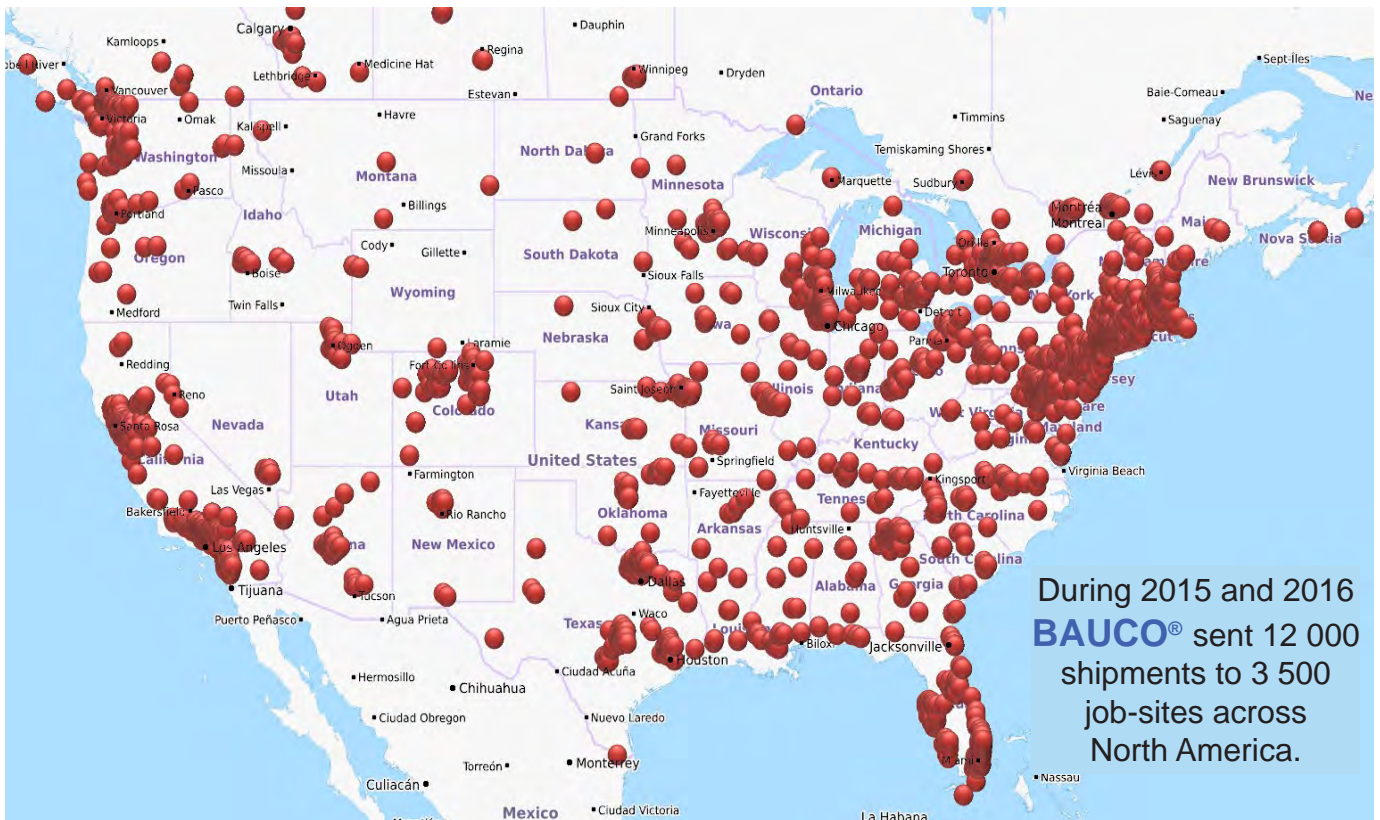
LOGISTICS

With our customer base spread around the globe, we have had to develop the project management skills necessary to deliver our solutions on time and on budget. Wherever your next job may be, we work with you and your trades to meet their schedules.

Our customer service specialists are standing by, Email your technical inquiries or call us today.



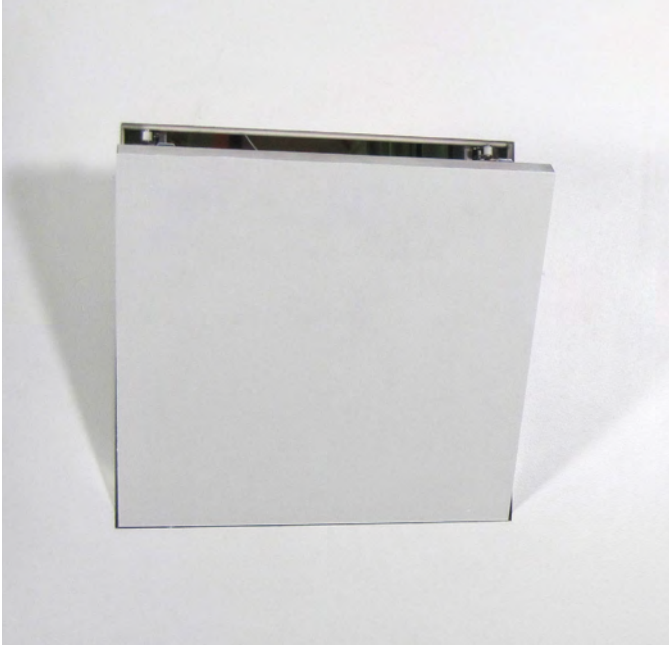
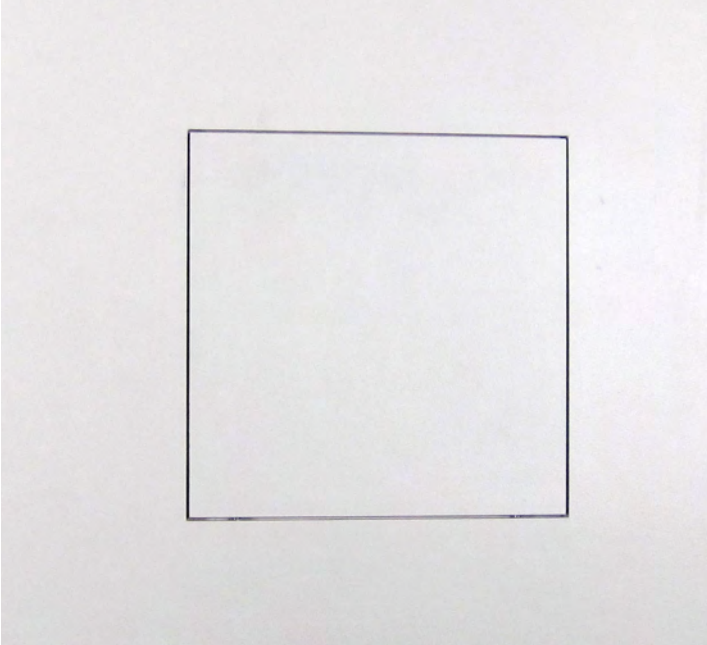
Deadlines are very important to you, and us! We always meet your shipping dates.



GALLERY OF INSTALLATION EXAMPLES

BAUCO® Plus II

Access panels designed for drywall



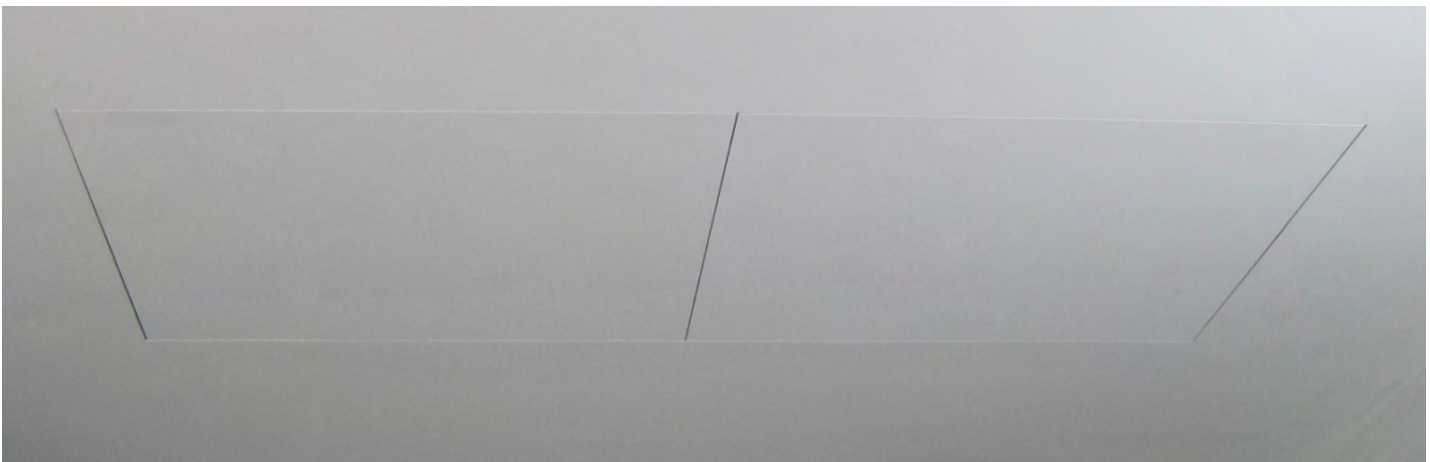
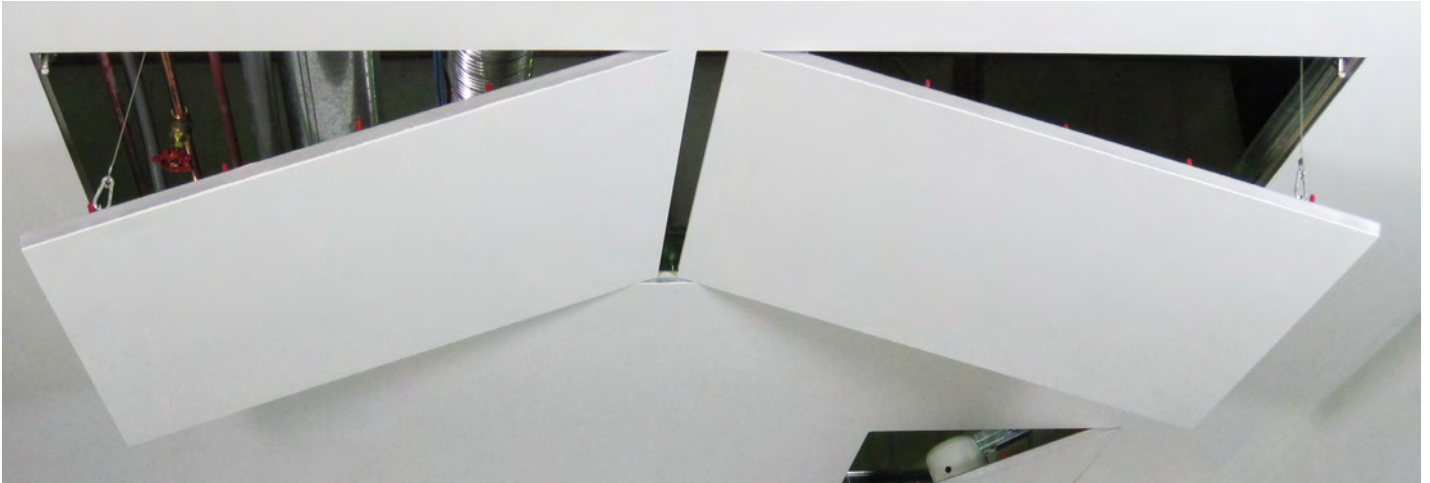
Ceiling Installation in Las Alcobas Resort - Mexico City

GALLERY OF INSTALLATION EXAMPLES

BAUCO® Plus II Multi-leaf Access Panels

'Butterfly' style

Custom sizes, inlays, hardware, gasket, locks, and latches available

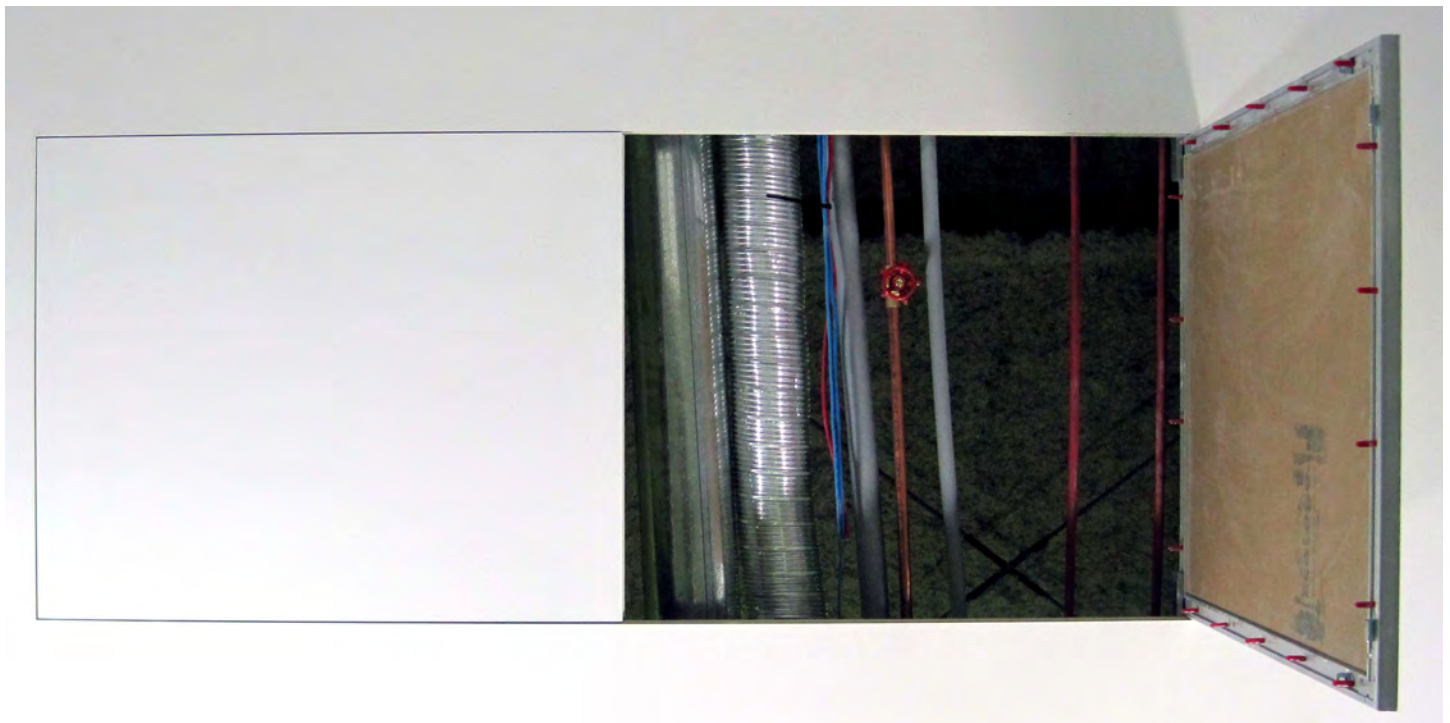


GALLERY OF INSTALLATION EXAMPLES

BAUCO® Plus II Multi-leaf Access Panels

'Bomb Bay' style - size restrictions apply

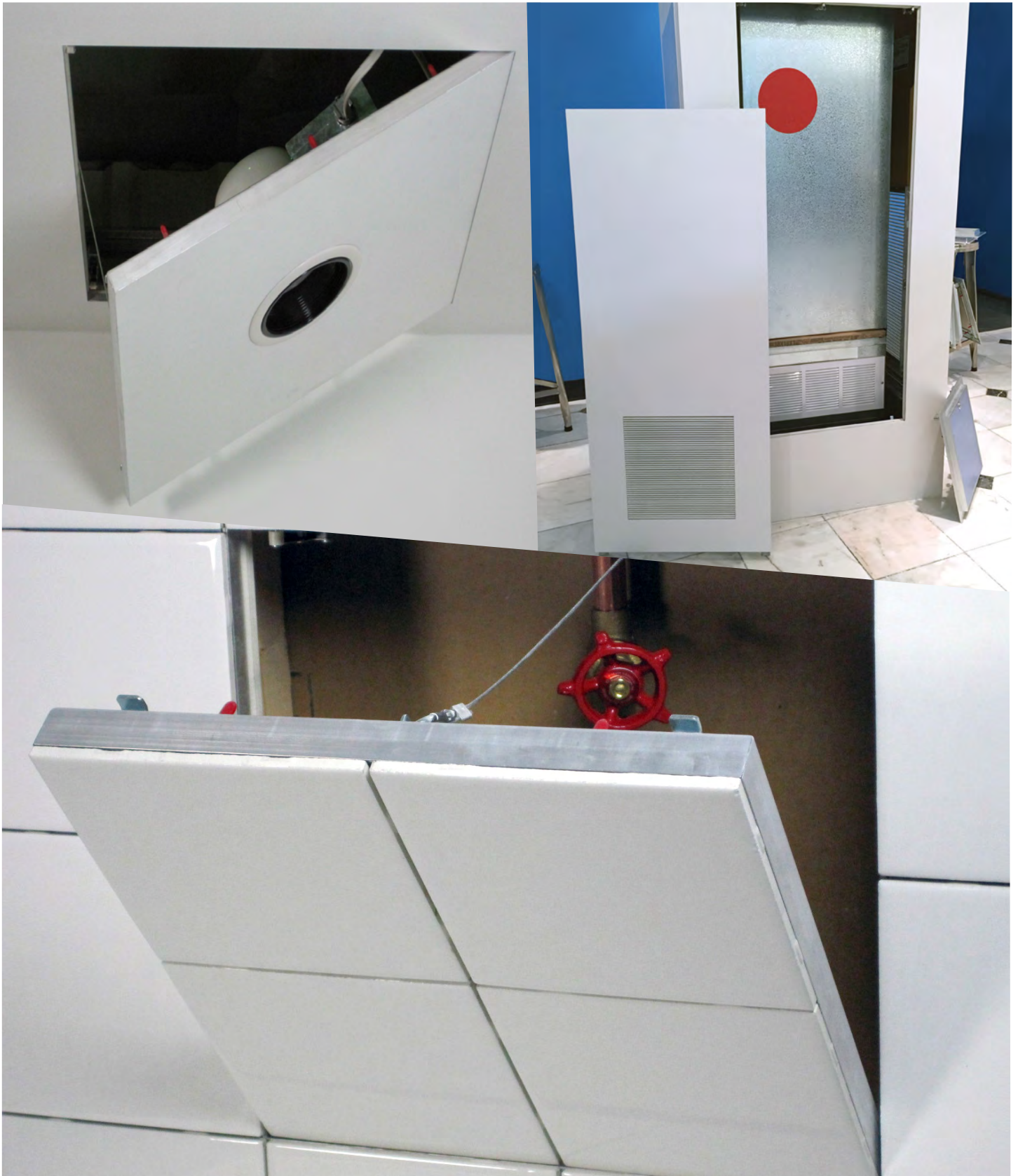
Custom sizes, inlays, hardware, gasket, locks, and latches available



Looking directly up at a ceiling installation

GALLERY OF INSTALLATION EXAMPLES

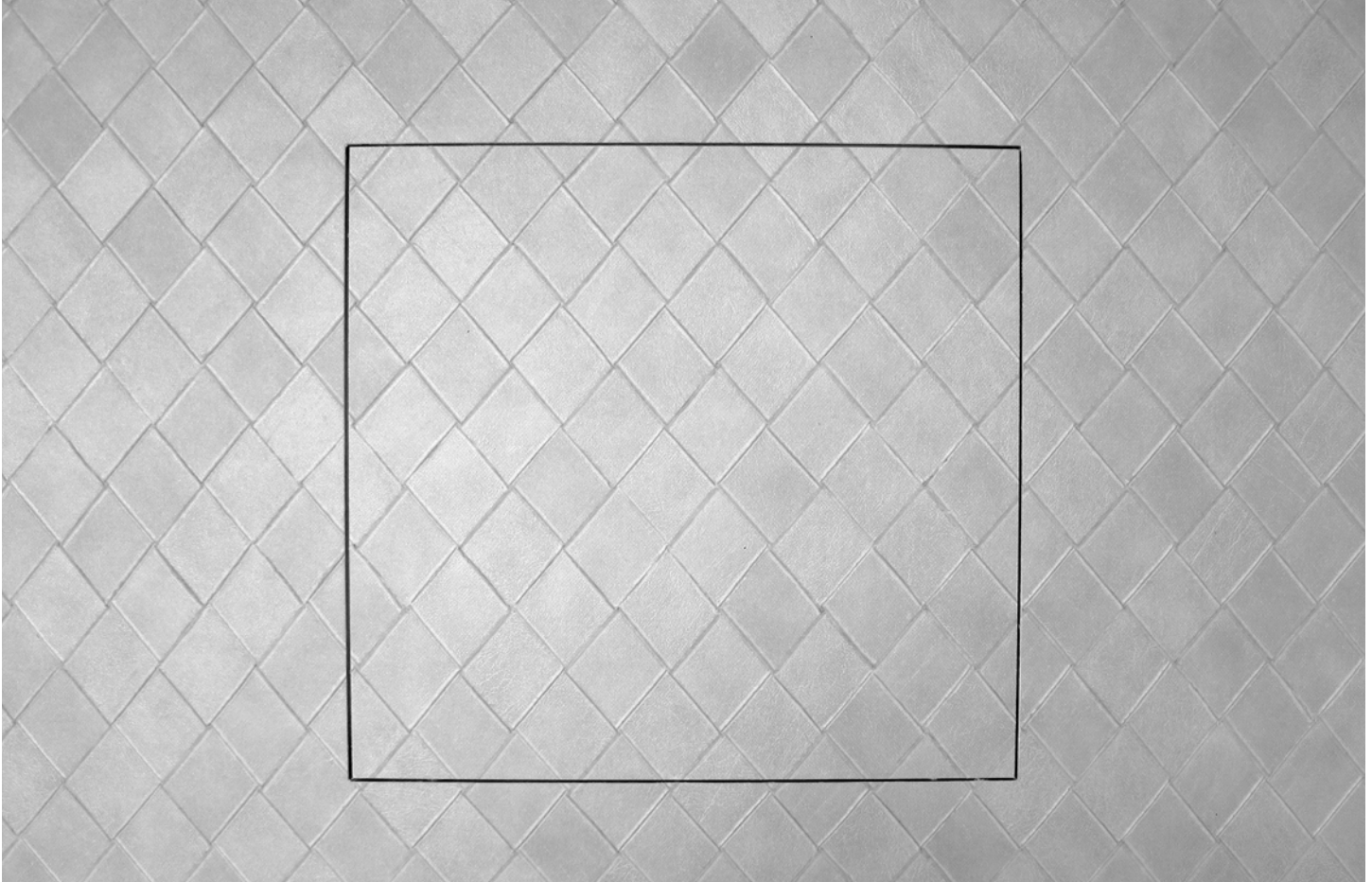
BAUCO® Plus II - Applications



GALLERY OF INSTALLATION EXAMPLES

BAUCO® Plus II Veneer and Wallpaper

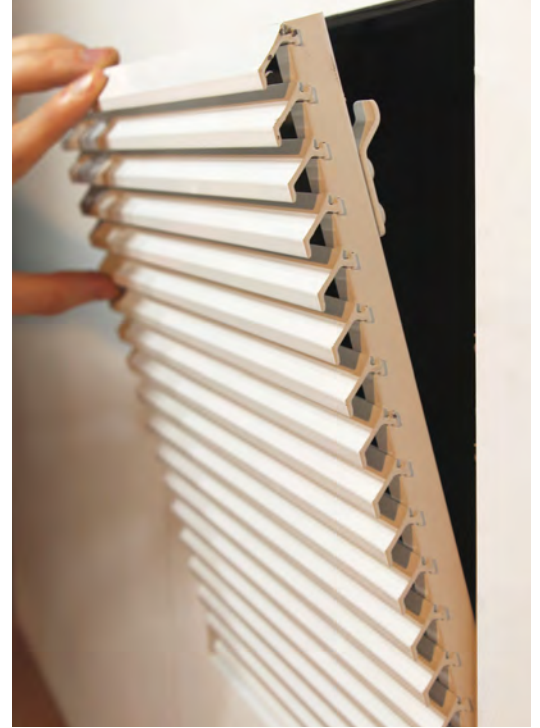
Our Panels Accept a variety of finishes including:
Paint, Tile, Wallpaper, Vinyl Coverings,
Millwork, Wood, Plaster, Stucco



GALLERY OF INSTALLATION EXAMPLES

BAUCO® Air

Integrated air return grill with our **BAUCO® plus II** access panel, or other drywall surfaces



BAUCO® Rondo



SELECTED PROJECTS WORLDWIDE

UNITED STATES

- **Hotels**

Chelsea Dynasty, New York, NY
Hyatt Regency New Orleans, New Orleans, LA
Manchester Grand Hyatt, San Diego, CA
Hyatt Hotel East, Dallas, TX
Baltimore Hyatt, Baltimore, MD
Hilton Franchise Development, Approved Vendor
Ritz-Carlton Orleans Hotel, New Orleans, LA
Omni Royal Crescent Hotel, New Orleans, LA
Marriott Harbor Beach Hotel, Hollywood, FL
Castle & Cook Resort, Lanai City, HI
The Edgewater Noble House Hotels, Daytona Beach, FL
Bel Age Hotel, Hollywood, CA
Four Seasons Hotel and Residence, Seattle, WA
Majestic Hotel, New York, NY
Sheraton Hotel, Greensboro, NC

- **Casinos**

Wynn, Las Vegas, NV
Motor City Casino, Detroit, MI
Pinnacle Hotel & Casino, Baton Rouge, LA

- **Condominiums**

One Ala Moana, Honolulu, HI
One 57, New York, NY
Optima Biltmore Towers, Scottsdale, AZ
Multiple Residential Renovations, New York, NY
Point Loma Tennis Club, San Diego, CA

- **Government**

Illinois State Capital, Springfield, IL
FBI Academy, Quantico, VA

- **Shopping Centers**

Bloomington at Perimeter Mall, Atlanta, GA

- **Museums**

Museum of Contemporary Art, New York, NY

- **Airports**

Jacksonville International Airport, Jacksonville, FL
JFK International Airport, American Airlines, New York, NY

- **Retail & Commercial Buildings**

Rodeo Drive, Various, Hollywood, CA
Canali Retail Stores, New York, NY
Gucci Retail Store, Honolulu, HI
Tourneau Caesars Forum Shops, Las Vegas, NV
Microsoft Building, Boulder, CO
Bank of America, Rockefeller Plaza, New York, NY
Dobson Communication, Oklahoma City, OK

MIDDLE EAST

Kuwait Diplomatic Headquarters, Egypt
Borj Al-Jewar Development, Jeddah, Saudi Arabia

CANADA

- **Hotels**

Westin Bear Mountain Victoria, BC
Fairmont Empress Hotel & Spa, Victoria, BC
Hyatt Regency Hotel, Calgary, AB
Telus Conference Centre, Calgary, AB

- **Casinos**

Niagara Gateway Casino, Niagara Falls, ON

- **Shopping Centers**

West Edmonton Mall, Edmonton, AB
The Pen Centre, St. Catharines, ON

- **Condominiums**

Four Seasons Residence, Toronto, ON
The Berzy, Toronto, ON
The Hudson, Victoria, BC
500 Wellington Condominiums, Toronto, ON

- **Schools**

Simon Fraser University Downtown, Vancouver, BC
Simon Fraser University City Centre, Surrey, BC
University of Alberta Edmonton Campus, Edmonton, AB
University of Alberta Calgary Campus, Calgary, AB
National Ballet School of Canada, Toronto, ON
Ryerson Institute, Dean's Office, Toronto, ON

- **Government**

Canadian Parliament Buildings - East Block, Ottawa, ON

- **Hospitals**

Fort McMurray Hospital, Fort McMurray, AB
Royal Alexandria Hospital, Edmonton, AB
Sick Children's Hospital, Toronto, ON
Royal Jubilee Patient Care Centre, Victoria, BC

- **Museums**

Royal Ontario Museum, Toronto, ON

- **Airports**

Edmonton International Airport, Edmonton, AB

- **Retail & Commercial Buildings**

Rogers Stores, All Across Canada
Vancouver Trade & Convention Centre, Vancouver, BC

LATIN AMERICA & CARIBBEAN

- **Hotels**

Venetian Tower, Puerto Rico
Ritz-Carlton Grand Cayman, Puerto Rico
Caribbean Hilton Hotel, San Juan, Puerto Rico
Paradise Club Resort, The Bahamas
Sandy Cove Resort, St. James, Barbados
Fairmont South Hampton Princess, Bermuda
Condominium Residence, Costa Rica
Lifestyle Holiday Vacation Club, Dominican Republic
Marriott Aruba Surf Club, Dutch Caribbean

CUSTOMER TESTIMONIALS

CONTRACTORS

“The installation went very well, and I think the access panels work great. We’ve received quite a few comments from the architect and the users of the space that they’re quite impressed with the access doors. Also, I think that the fact that the door can be completely removed from the opening is a much more functional option than the traditional fixed hinged door.”

-Construction, Edmonton AB

“Your design (custom door with integrated air return grille) makes the installation aspect of the project simple and hassle free which is what our client is looking for. Also it appears to be quite cost effective.”

-Wall and Ceiling Contractor

“The 48” x 48” worked out great. It looks so crisp. The best I have installed.”

-Drywall & Acoustics, NY

“Everything went great... I was very pleased with your company, service, and product... We have gotten a lot of positive comments on the panels.”

-General Contractor

“We have asked a number of designers to start specifying your product. Other MDF type of panels are subject to shrinkage and we have had a lot of cracking. With yours this is never an issue. Keep up the good work.”

-Interior Contractor, Calgary

ARCHITECTS

“The hotel was very impressed with the stealthiness of the panels. Once they saw the panel covered with the corridor wall paper and only the 1/16” reveal around the unit they decided it was the best access panel situation we could ever hope for.”

-Architect, Louisiana

“Everything went very well. The owner as well as our CG really like the product, ... we should use it in more of our projects that require access panels.”

DEVELOPERS

“I’m very satisfied with product quality, turnaround time, and process handling. Friendly support made everything go smoothly. 5 stars shopping experience!”

-Developer

PROPERTY MANAGERS

“I would strongly recommend your product and your company given the excellent, knowledgeable, and service you provide.”

-Lord Shivas Properties LLC, NY

“I always recommend your panels to clients, architects and designers, and they find your website helpful. I like the **BAUCO® plus II**, the corners on the panel don’t have the radius’s, and you eliminated the hardware to operate the hasp, which was always finicky to plaster and paint in. The touch latch is an improvement.”

-Management Co., NY

CUSTOM SOLUTIONS

SINGLE DOOR CUSTOM SIZES

Examples of custom sizes

27" x 54", 14½" x 28", 6¼" x 42"

MULTI-LEAF DOOR CUSTOM SIZES

- Multi-leaf doors can be customized to suit most large openings
- Multiple, hinge-less, fully removable sections
- No center bar
- Double leaf doors typically hinge in the center
- Door leaves can be removed for full access

Examples of custom sizes

36" x 80", 32½" x 56", 66" x 78"

LATCH OPTIONS

Touch Latch



Keyed Lock



CAM Latch

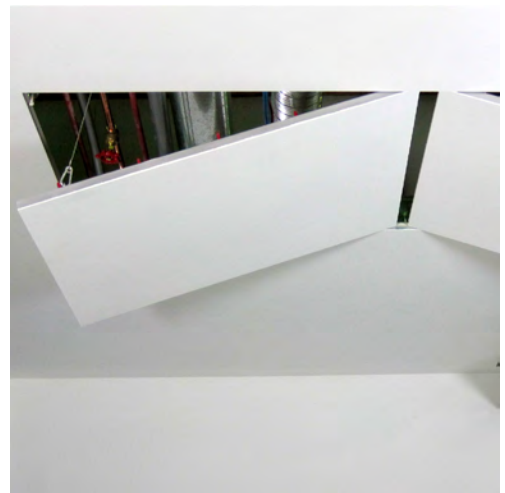


TORX Latch



CUSTOM INLAY OPTIONS

- Additional GWB Layers
- Tile Backer Board
- Acoustical Inlay Options
- Cement Board
- Imperial Veneer Plasterboard
- Fiberboard (MDF)
- Preparation Wood Inlay/Veneer
- **BAUCO® paint-ready** - Durable, flush-finished and factory-primed door leaf



BAUCO Plus II

Drywall Access Panel with rear-mount frame

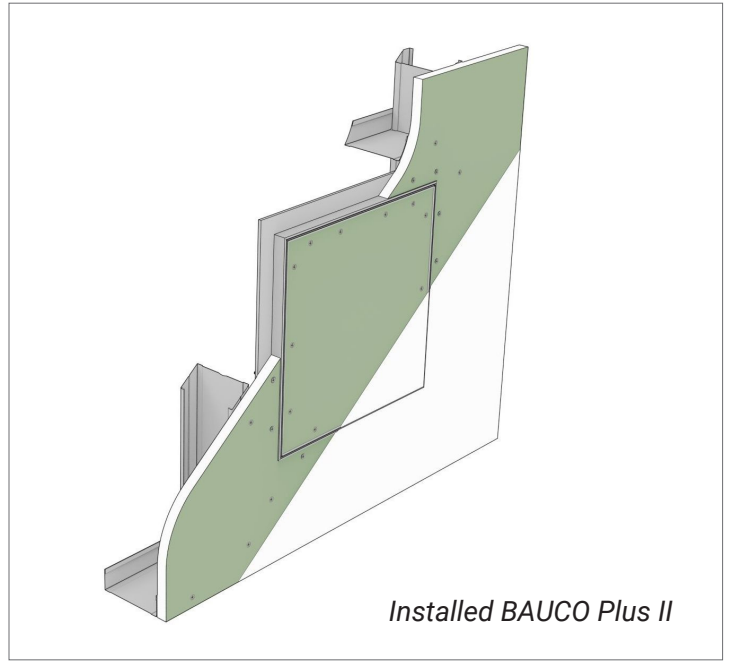
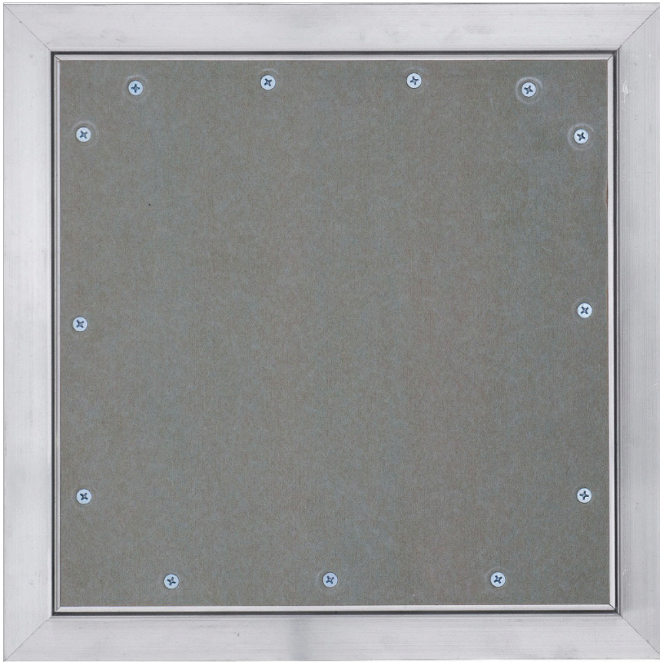


**You have access problems.
We have solutions.**

The **BAUCO Plus II** access panel is the most versatile model for drywall construction. Its concealed frame sits behind the board (rear-mount) and provides a finishing edge. With concealed hardware and continuous flush finishing, only a 1/16" perimeter gap remains visible. This design allows the **BAUCO Plus II** to integrate into its surroundings, preserving aesthetics while ensuring discreet and functional access.

BAUCO Plus II

Drywall Access Panel with rear-mount frame



APPLICATIONS

- Access openings in 1/2" (12.7 mm) or 5/8" (15.9 mm) drywall walls and ceiling
- Cleanest finish possible required
- Standard and custom sizing and other customizations
- Wide variety of surface finishes such as paint, wallpaper or facing materials such as tile and millwork (by others)
- Areas with sound transmission concerns
- Great for mechanical, HVAC, fan coil, and electrical access

DESCRIPTION

- Rear-mount frame
- Concealed frame, hardware and latch
- Factory installed drywall inlay
- Frame acts as finishing bead
- Virtually invisible finishing
- 1/16" perimeter gap
- Superior acoustics with air tight seal and mass of drywall inlay
- Fully removable door leaf
- Free pivot hinge and safety cable

SPECIFICATIONS

Materials: 6063-T6 aluminum frame with galvanized steel hardware and moisture and mold resistant drywall inlay

Latch: Concealed mechanical touch latch

Hinge: Free pivot hinge with safety cable

Door leaf: Fully removable door leaf for full access

Gasket: EPDM rubber perimeter gasket

Standard Latch

- Mechanical touch latch

Latch Options

- Keyed lock
- Cam latch (slotted or torx head)

Standard Finish

- Unfinished inlay installed Ready to receive a wide range of surface treatments on site

Finish Option

- BAUCO Paint-ready. Factory-primed door leaf. Ready to paint.

Standard Inlay

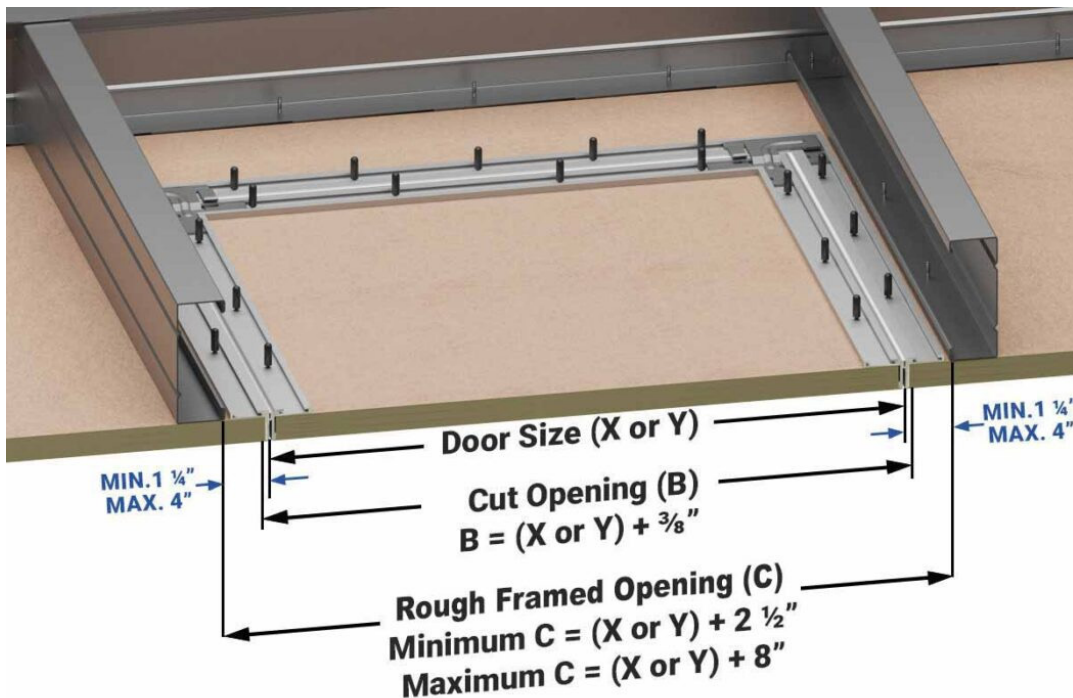
- Moisture- and mold-resistant drywall

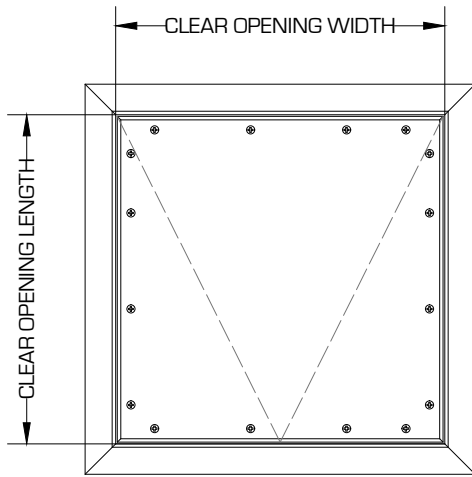
Inlay Options

- Acoustic Board
- Tile Backer
- Imperial Blue Board
- Double Layer Drywall
- Plywood

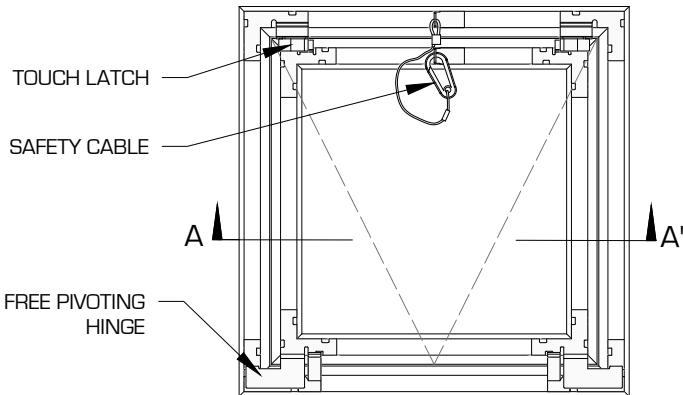
Drywall Access Panel with rear-mount frame

Nominal Size	Door Size (X/Y)	Cut Opening in Drywall (B)	Minimum Rough Framed Opening (C)	Weight
6 x 6"	6 x 6" (152 x 152mm)	6- ³ / ₈ x 6- ³ / ₈ " (162 x 162mm)	8- ¹ / ₂ x 8- ¹ / ₂ " (216 x 216mm)	2lbs (1.0kg)
8 x 8"	8 x 8" (203 x 203mm)	8- ³ / ₈ x 8- ³ / ₈ " (213 x 213mm)	10- ¹ / ₂ x 10- ¹ / ₂ " (267 x 267mm)	3lbs (1.4kg)
10 x 10"	10 x 10" (254 x 254mm)	10- ³ / ₈ x 10- ³ / ₈ " (264 x 264mm)	12- ¹ / ₂ x 12- ¹ / ₂ " (318 x 318mm)	4lbs (1.8kg)
12 x 12"	12 x 12" (305 x 305mm)	12- ³ / ₈ x 12- ³ / ₈ " (314 x 314mm)	14- ¹ / ₂ x 14- ¹ / ₂ " (368 x 368mm)	5lbs (2.3kg)
14 x 14"	14 x 14" (356 x 356mm)	14- ³ / ₈ x 14- ³ / ₈ " (365 x 365mm)	16- ¹ / ₂ x 16- ¹ / ₂ " (419 x 419mm)	6lbs (2.7kg)
16 x 16"	16 x 16" (406 x 406mm)	16- ³ / ₈ x 16- ³ / ₈ " (416 x 416mm)	18- ¹ / ₂ x 18- ¹ / ₂ " (470 x 470mm)	7lbs (3.2kg)
18 x 18"	18 x 18" (457 x 457mm)	18- ³ / ₈ x 18- ³ / ₈ " (467 x 467mm)	20- ¹ / ₂ x 20- ¹ / ₂ " (521 x 521mm)	8lbs (3.6kg)
20 x 20"	20 x 20" (508 x 508mm)	20- ³ / ₈ x 20- ³ / ₈ " (518 x 518mm)	22- ¹ / ₂ x 22- ¹ / ₂ " (571 x 571mm)	10lbs (4.5kg)
24 x 24"	24 x 24" (610 x 610mm)	24- ³ / ₈ x 24- ³ / ₈ " (619 x 619mm)	26- ¹ / ₂ x 26- ¹ / ₂ " (673 x 673mm)	13lbs (5.9kg)
24 x 36"	24 x 36" (610 x 914mm)	24- ³ / ₈ x 36- ³ / ₈ " (619 x 924mm)	26- ¹ / ₂ x 38- ¹ / ₂ " (673 x 978mm)	18lbs (8.2kg)

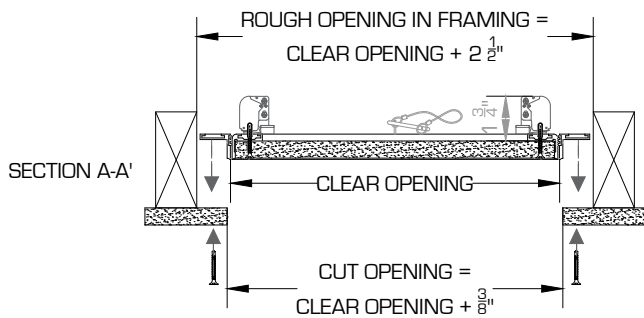




FRONT VIEW



REAR VIEW



STANDARD FEATURES

- Rear-mount frame
- For openings in 1/2" (12.7 mm) or 5/8" (15.9 mm) drywall walls and ceiling
- Concealed aluminum frame, hardware and mechanical touch latch
- Factory installed moisture/ mold resistant drywall inlay
- Frame acts as finishing bead
- 1/16" perimeter gap
- Virtually invisible finishing
- Air tight with EPDM rubber perimeter gasket
- Superior acoustics with air tight seal and mass of drywall inlay
- Fully removable door leaf
- Free-pivot hinge and safety cable

Standard Sizes

(Custom sizes available upon request)

Access Panel Size (Clear Opening)		Weight	
Inch	mm	lbs-1/2"	lbs-5/8"
6 x 6"	152 x 152mm	1.9	2.1
8 x 8"	203 x 203mm	2.4	2.8
10 x 10"	254 x 254mm	3.0	3.7
12 x 12"	305 x 305mm	3.7	4.6
14 x 14"	356 x 356mm	4.4	5.7
16 x 16"	406 x 406mm	5.2	6.9
18 x 18"	457 x 457mm	6.1	8.2
20 x 20"	508 x 508mm	7.1	9.7
24 x 24"	610 x 610mm	9.3	12.8
24 x 36"	610 x 914mm	12.7	18.1

BUY DIRECT from BAUCO for best pricing and shortest lead time.

Size
 _____ " Width(X) x _____ " Length(Y)

Thickness
 1/2"
 5/8"

Application
 Wall
 Ceiling

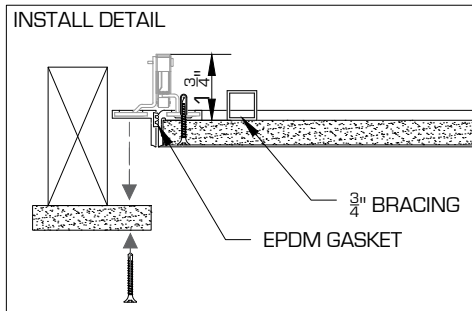
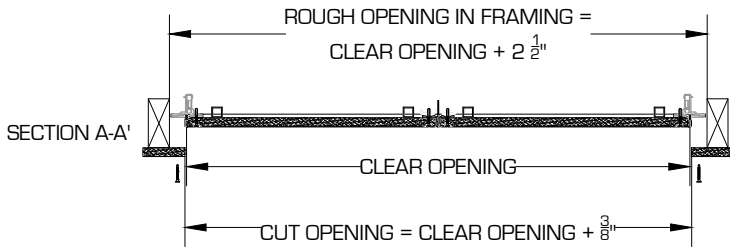
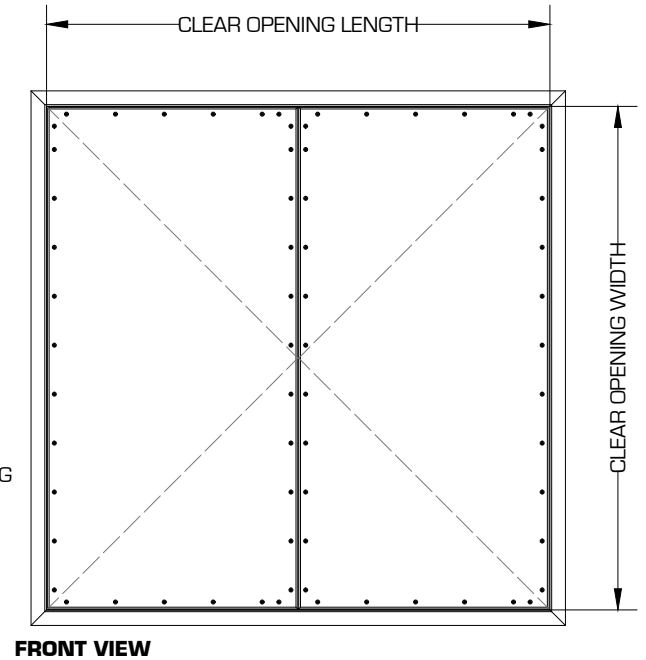
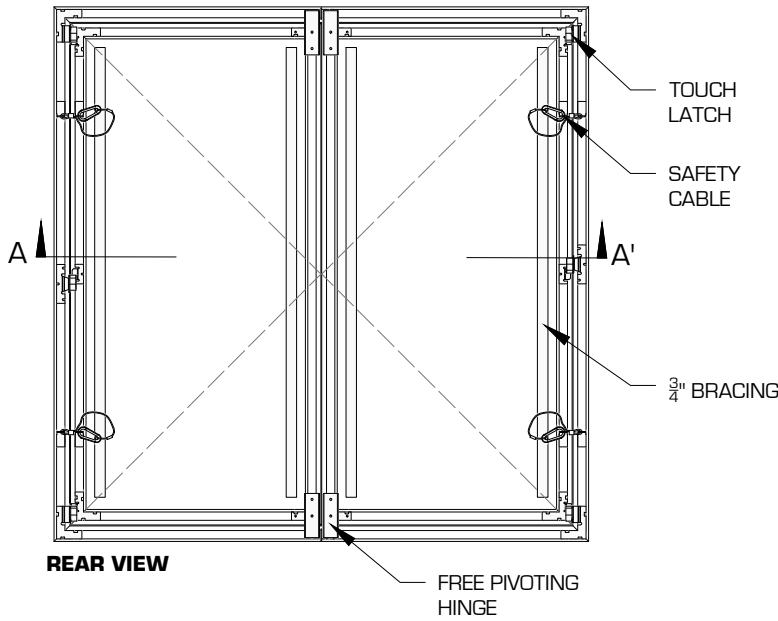
Latch Options
 (Standard) Mechanical Touch Latch
 Slotted Cam
 Torx Cam
 Keyed Lock

Inlay Options
 (Standard) Drywall
 Acoustic Board
 Plywood
 Tile Backer Drywall
 Imperial Blue Board
 Double Layer

Time Saving Option
 Paint-ready Finish

Project: _____
Client: _____
Approved by: _____
Date: _____





STANDARD FEATURES

- Rear-mount frame
- For openings in 1/2" (12.7 mm) or 5/8" (15.9 mm) drywall walls and ceiling
- Concealed aluminum frame, hardware and mechanical touch latch
- Factory installed moisture/ mold resistant drywall inlay
- Frame acts as finishing bead
- 1/16" perimeter gap
- Virtually invisible finishing
- Air tight with EPDM rubber perimeter gasket
- Superior acoustics with air tight seal and mass of drywall inlay
- Fully removable door leaf
- Free-pivot hinge and safety cable

BUY DIRECT from BAUCO for best pricing and shortest lead time.

Size
_____ " Width(X) x _____ " Length (Y)

Thickness
 1/2"
 5/8"

Application
 Wall
 Ceiling

Latch Options
 (Standard) Mechanical Touch Latch
 Slotted Cam
 Torx Cam
 Keyed Lock

Inlay Options
 (Standard) Drywall
 Acoustic Board
 Plywood

Tile Backer Drywall
 Imperial Blue Board
 Double Layer

Time Saving Option
 Paint-ready Finish

Project: _____
Client: _____
Approved by: _____
Date: _____



1.877.592.0033 | info@bauco.com | bauco.com
834 Devonshire Road Victoria, BC, Canada V9A 4T4

BAUCO® Plus II

Installation Overview

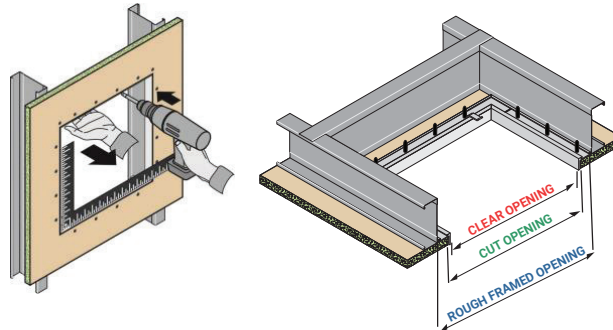
Watch our installation video on  YouTube



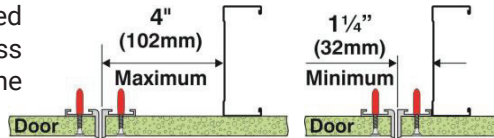
SCAN ME

Installation Overview

1. Access panel outer frame must be attached to the overlapping lip of drywall, not to the framework. Make sure the outer frame is square and straight when attaching it.

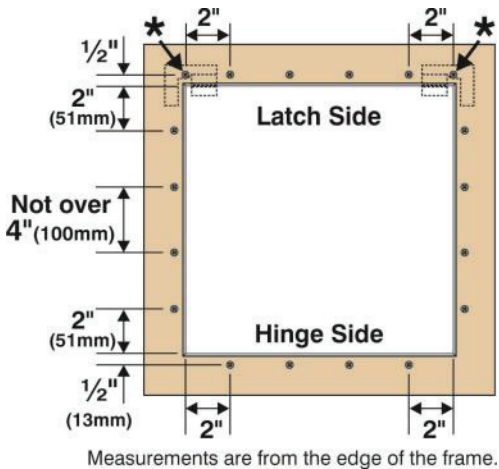


2. The structure surrounding the installed access panel must be rigid. Use blocking/cross members so no framing is more than 4" from the panel opening.

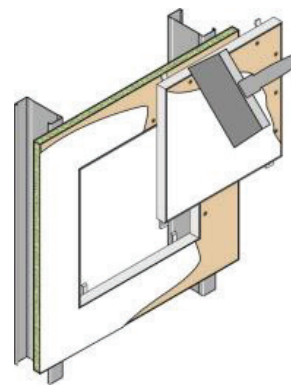


With suspended drywall grid systems, rigid steel support hangers must be used in the panel area to attach the grid to the fixed structure/slab.

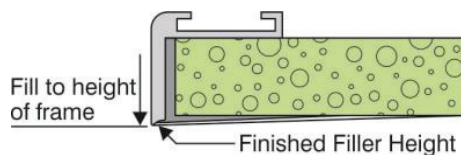
3. Enough fasteners must be used to securely attach the access panel outer frame to the surrounding drywall. Specific screw locations must be followed.



4. The BAUCO Plus II requires finishing. The top edge of the outer frame and the door leaf frame are the finished height of the filler compound. Sand down to the frame.



See installation instructions and website for more details



Checklist

- Access Panel must be attached to drywall, straight & square
- Surrounding framework must be rigid
- Fastener pattern must be followed, with spacing no more than 4"
- Finished height must be equal to the height of the access panel outer and door leaf frames
- Filler must be sanded to height of access panel frames

Approved by:

Date:

BAUCO® Plus II

Installation Instructions

For Single Leaf Access Panels

Watch our installation video on  YouTube

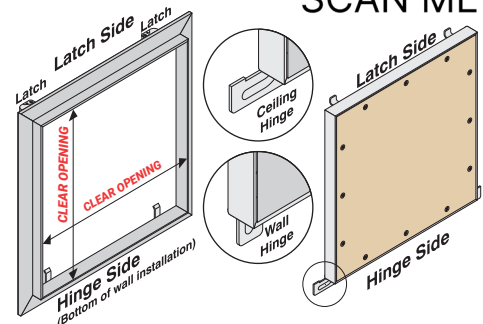


SCAN ME

Introduction & Key Concepts - Outer Frame and Door Leaf

The access panel outer frame mounts to the back of the drywall and is attached with self-drilling drywall screws through the face of the drywall. The dimensions of the **CLEAR OPENING** of the outer frame are used to determine the **CUT OPENING** (opening in the drywall) and the minimum **ROUGH FRAMED OPENING** (spacing of framing members).

The number group following the first 4 digits in the model number is the clear opening dimensions. Ex: An access panel with the Model Number 20-58-12/12 has a **12" x 12" CLEAR OPENING**.



NOTE: The door leaf is opened by pressing on the panel on the latch side. When released, the panel springs open.

For trouble-free installation observe the following:

- 1 The access panel outer frame must be screwed to the drywall every 4" or less with more precise attachment at the corners and through the base of all latch brackets.
- 2 The outer frame must be attached to the drywall square and straight. The unsecured outer frame is flexible, ensure it is mounted straight.
- 3 The wall or ceiling must be rigid. Wall or ceiling framing must ensure no flex or movement in drywall.
- 4 The top edge of the outer frame and the door leaf frame are the finished height of the filler compound. Sand down to the frame. **DO NOT OVERFILL.**

Standard Installation Method - Outer Frame located after drywall

The framing members need to be positioned around the intended cut opening in the drywall to allow space for the access panel outer frame.

After drywall is installed the **CUT OPENING** is made leaving a drywall lip inside the rough framed opening as shown. The access panel outer frame is then angled through the opening, positioned against the back of the drywall, and secured as shown.

Alternative methods for locating the outer frame, as well as a screw layout guide are on the next page.

Size of the **CUT OPENING** in drywall.

The **CUT OPENING** is the **CLEAR OPENING + 3/8"** (drywall opening size)

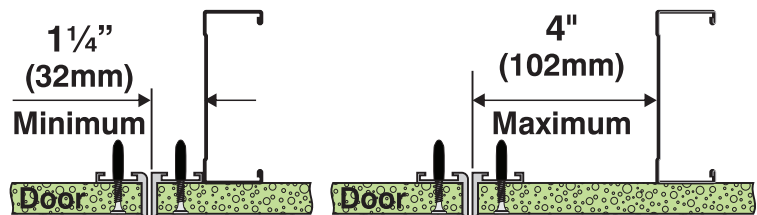
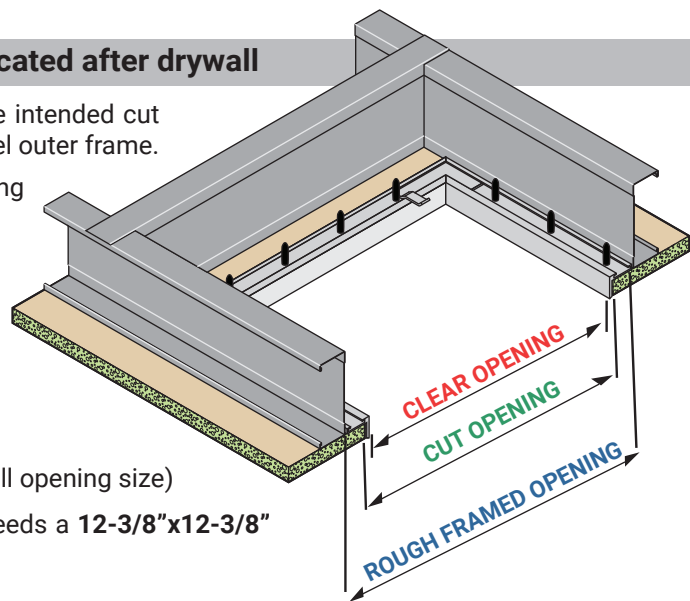
EX: A Model 20-58-C-12/12 with a **12"x12"** panel size needs a **12-3/8"x12-3/8"** **CUT OPENING** in the drywall.

Size of the **ROUGH FRAME OPENING**

The **ROUGH FRAME OPENING** is between **2-1/2"** and **8"** larger than the **CLEAR OPENING**.

The access panel does not need to be centered relative to the framing however must be within **4"** and at least **1-1/4"** from surrounding framing.

EX: For Model 20-58-C-12/12 with a **12"x12"** **CLEAR OPENING**, the minimum spacing of the framing members is **14-1/2" x 14-1/2"**.



BAUCO® Plus II

Installation Instructions

For Multi Leaf Access Panels

Watch our installation video on  YouTube



SCAN ME

Introduction & Key Concepts - Access Panel Outer Frame

The access panel outer frame mounts to the back of the drywall and is attached with self-drilling drywall screws through the face of the drywall. The dimensions of the **CLEAR OPENING** of the outer frame are used to determine the **CUT OPENING** (opening in the drywall) and the minimum **ROUGH FRAMED OPENING** (spacing of framing members).

The number group following the first 4 digits in the model number is the clear opening dimensions. Ex: access panel with the Model Number 20-58-48/42 has a 48" x 42" **CLEAR OPENING**.

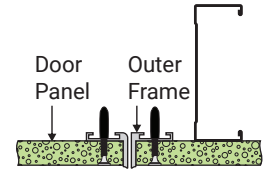
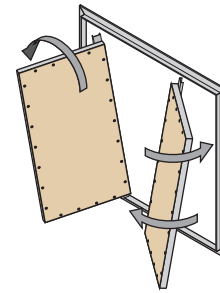
For trouble-free installation observe the following:

1 The access panel outer frame must be screwed to the drywall every 4" or less with more precise attachment at the corners and through the base of all latch brackets.

2 The outer frame must be attached to the drywall square and straight. The unsecured outer frame is flexible, ensure it is mounted straight.

3 The wall or ceiling must be rigid. Wall or ceiling framing must ensure no flex or movement in drywall.

4 The top edge of the outer frame and the door leaf frame are the finished height of the filler compound. Sand down to the frame. **DO NOT OVERFILL.**



NOTE: Remove the door leaves from the outer frame to begin the installation. The door leaf is opened by pressing on the latch side. When released, the panel springs open. Angle the door leaf in order to pass each through the outer frame.

Standard Installation Method - Outer Frame located after drywall

The framing members need to be positioned around the intended cut opening in the drywall to allow space for the access panel outer frame.

After drywall is installed the **CUT OPENING** is made leaving a drywall lip inside the rough framed opening as shown. The access panel outer frame is then angled through the opening, positioned against the back of the drywall, and secured as shown.

Alternative methods for locating the outer frame, as well as a screw layout guide are on the next page.

Size of the **CUT OPENING** in drywall.

The **CUT OPENING** (drywall opening size) is the **CLEAR OPENING + 3/8"**

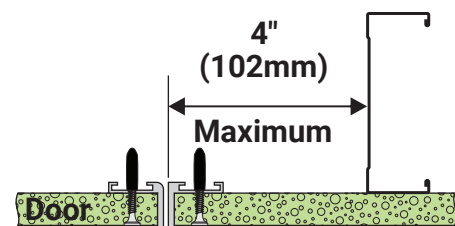
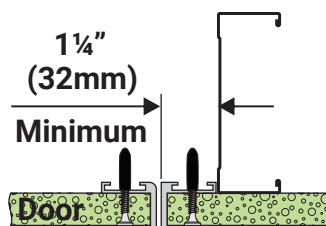
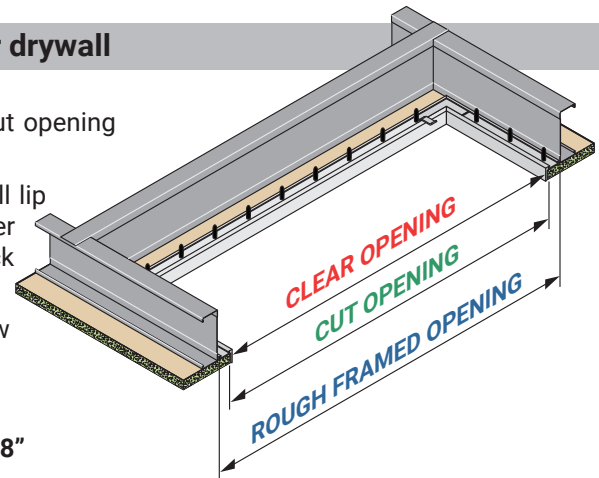
EX: A Model 20-58-24/36-2 has a 24"x36" **CLEAR OPENING** needs a 24-3/8"x-36-3/8" **CUT OPENING** in the drywall.

Size of the **ROUGH FRAMED OPENING**

The **ROUGH FRAMED OPENING** is between 2-1/2" and 8" larger than the **CLEAR OPENING**

The access panel does not need to be centered relative to the framing however must be within 4" and at least 1-1/4" from surrounding framing.

EX: For a model 20-58-60/30-2 with a 60" x 30" **CLEAR OPENING**: The minimum spacing of the framing members is 62½" x 32½".



BAUCO® commissioned 3rd party acoustic testing by The University of Alberta Mechanical Engineering Acoustics and Noise Unit (MEANU). Testing was carried out according to the ASTM E90 testing procedure, which tests sound transmission loss in one-third octave bands within the human audible range.

From this data STC rating was derived according to ASTM E413. A detailed test report available upon request.

Two test configurations were performed.

Wall configuration: The access panel was installed into an acoustically rated partition (STC-52). The panel was installed to one side of the partition, with the other side of the assembly remaining intact. This is representative of an acoustically rated wall between rooms.

Ceiling configuration: The access panel was installed to an acoustically rated partition with the opposing side of the partition removed to emulate a ceiling assembly.

The ratings observed were as follows:

Test wall without access panel installed	- STC 52
Wall with access panel with standard drywall inlay	- STC 49
Wall with access panel with acoustic drywall inlay	- STC 50
Wall with access panel with double layer standard inlay	- STC 49
Ceiling with access panel with standard drywall inlay	- STC 28
Ceiling with access panel with acoustic drywall inlay	- STC 31
Ceiling with access panel with double layer standard inlay	- STC 30

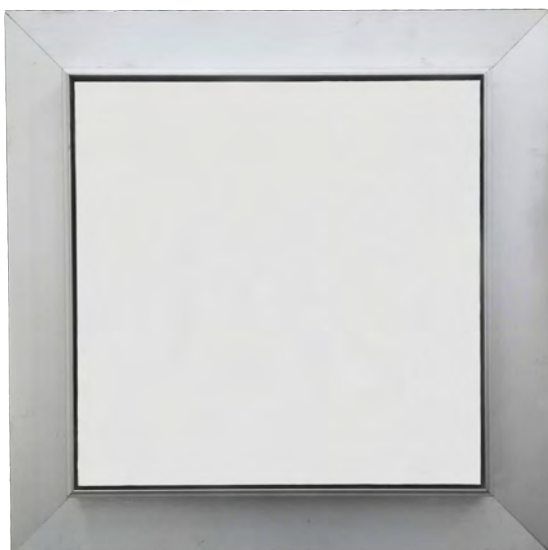
In walls, the BAUCO® Plus II access panel demonstrate superior acoustic properties, with only a 2-3 point reduction in the STC rating of the partition. In both wall and ceiling applications, the acoustic drywall inlay is more effective than the standard drywall double layer inlay.

BAUCO® Paint-ready

**Time saving option
for drywall
access panels**



You will save time with the **BAUCO® Paint-Ready** option for **BAUCO® Plus II** and **BAUCO® Rondo** access panels



- Saves time as there is no need to fill, sand, or touch-up door leaf
- Reduces installation time for your skilled tradespeople
- Reduces recalls with durable, factory-primed door leaf
- Minimizes staging space at your jobsite

BAUCO® Paint-Ready time saving option for BAUCO® Plus II & BAUCO® Rondo

SAVE TIME ON YOUR JOBSITE

With the **BAUCO® paint-ready** you no longer need to finish the door leaves of **BAUCO® plus II** and **BAUCO® rondo** access panels. **BAUCO® paint-ready** equipped panels ship directly to you with a highly durable, factory primed drywall door leaf. Skilled trades install and finish the external aluminum door frame and then simply insert the bauco paint-ready leaf right before painting.

- Fewer installation steps for drywall access panels
- Door leaf is finished for you. All you need to do is finish the access panel frame in the surrounding wall
- Available for any size panel and with all types of gypsum board inlays
- When you order **BAUCO® paint-ready** option for your **BAUCO® plus II** or **BAUCO® rondo** panels, we supply a durable, factory-primed door leaf.

HOW YOU BENEFIT

Labour Savings

Reduced installation time for skilled trades. There is no need to fill, sand, or touch-up door leaf surfaces

Durability

Stands up to long term usage for reduced recalls

Site Convenience

- Door leaves can be stored off-site until ready to paint
- Full access for trades working on mechanical installation
- No staging space required for leaf filling and sanding

Installation Sequence

1. Frame rough opening and hang drywall
2. Install, finish and paint-out access panel outer frame only
3. Complete Mechanical installation and servicing
4. Hang and paint access door leaf

FOR USE IN

- Jobs with time or space constraints
- Approved for non-fire-rated assemblies
- All assemblies in either 1/2" or 5/8" drywall
- New construction or repairs in walls and ceilings
- Heavy use applications needing exceptional durability

STANDARD FEATURES

- Available for any standard or custom **BAUCO® plus II** and **BAUCO® rondo** access panel
- Door leaf ships with drywall inlay that has been finished & primed flush to the frame
- Durable door surface made from heavy-duty commercial wall covering paper
- Adhesive and finish proven in humidity-chamber testing
- Withstands heavy use. Laboratory cycle testing report available upon request
- Access panel outer frame must be fastened to surrounding drywall and finished, as with standard models (see installation instructions)

To order use extension -P on the model no. (E.g. 20-58-2424-P)



BAUCO® plus II with BAUCO® paint-ready door leaf in an unfinished wall



Introduction and Key Concepts

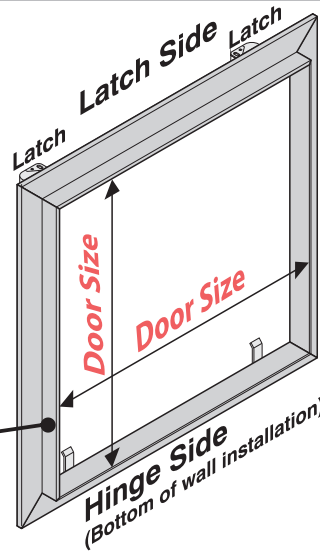
Access Panel Outer Frame

The **Door Size** dimensions (clear opening in outer frame) are used to determine the **Cut Opening** (opening in the drywall) and the minimum **Rough Frame Opening** (spacing of framing members).

The number group following the first 4 digits in the model number is the **door size**.

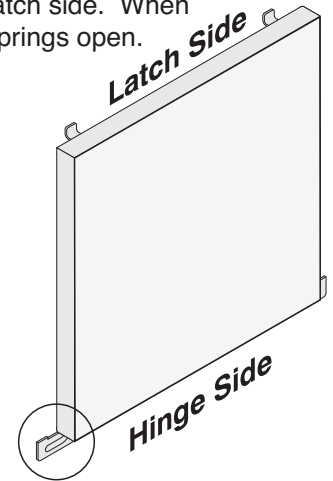
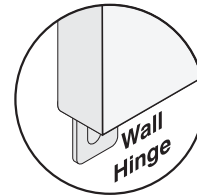
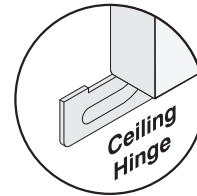
Ex: access panel with the Model Number 20-58-1212 has a 12" x 12" **door size**.

The outer frame mounts to the back of the drywall and is attached with self-drilling screws through the face of the drywall.



Access Panel Door Leaf

The door leaf is opened by pressing on the panel on the latch side. When released, the panel springs open.



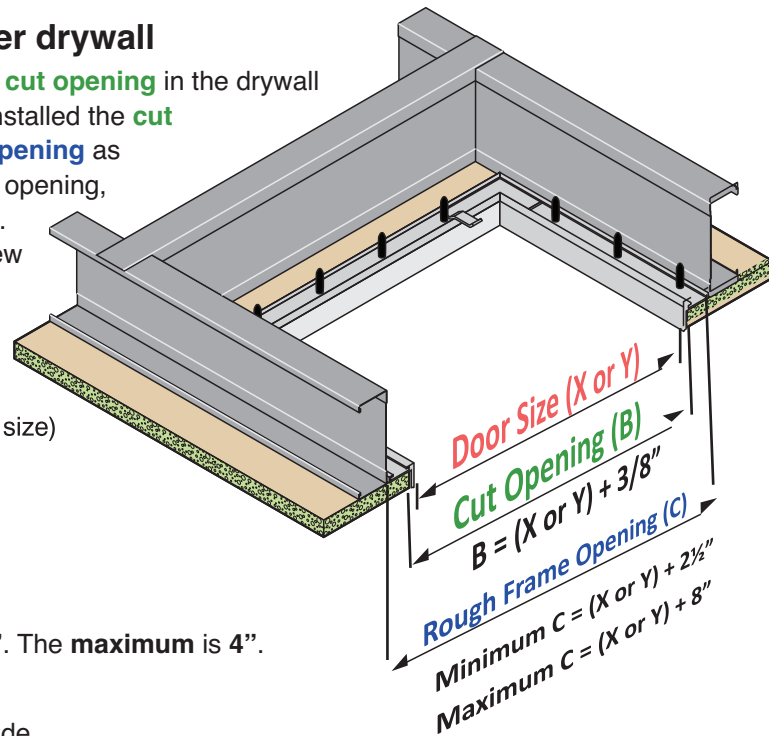
For trouble-free installation and operation please observe the following:

- 1 - The access panel outer frame must be screwed to the drywall every 4" or less with more precise attachment at the corners and through the base of all latch brackets.
- 2 - The outer frame must be attached to the drywall square and straight. Frame is flexible; attach straight.
- 3 - The wall or ceiling must be rigid. Blocking and/or rigid hangers must ensure no flexibility or movement in drywall.
- 4 - The drywall surrounding the outer frame should be flat. If screw heads protrude above the face of the framing, it is recommended that drywall shims are used to make a flat surface.

Installation Methods

Standard Installation - Outer Frame located after drywall

The framing members need to be positioned around the intended **cut opening** in the drywall to allow space for the access panel outer frame. After drywall is installed the **cut opening** is made leaving a drywall lip inside the **rough framed opening** as shown. The access panel outer frame is then angled through the opening, positioned against the back of the drywall, and secured as shown. Alternative methods for locating the outer frame, as well as a screw layout guide are on the next page.



Size of the Cut Opening (B)

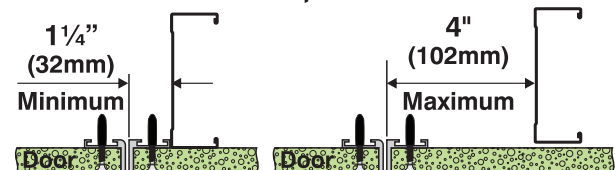
The **Cut Opening** is the door size (X or Y) + 3/8" (drywall opening size)

EX: A Model 20-58-1212 with a 12" x 12" door size needs a 12 3/8" x 12 3/8" **cut opening** in the drywall.

Size of the Minimum Rough Frame Opening (C)

The **minimum** distance from the panel opening to a stud is 1 1/4". The **maximum** is 4".

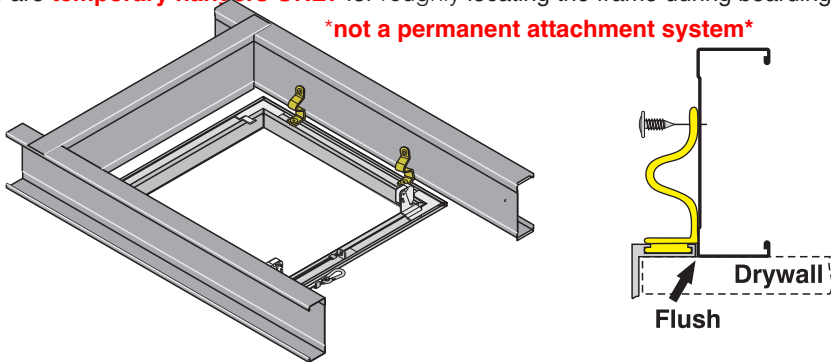
EX: For a Model 20-58-1212 with a 12" x 12" door size, the minimum spacing of the framing is 14 1/2" with 1 1/4" on either side of the panel opening. The maximum spacing is 2 1/2" - with 4" on either side of the panel opening. The panel does not need to be centered relative to the framing so long as all framing falls within the minimum and maximum distances from the panel opening.



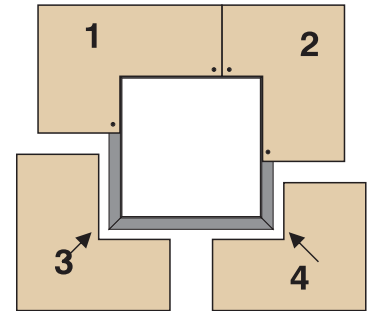
Alternative Installation Methods

A. Before Drywall Installation

The panel outer frame can be hung in the rough framed opening before the drywall is in place by using Temporary Frame Hangers. Temporary Frame Hangers twist into the outer frame and attached to surrounding framework. **After the drywall is in place, the frame MUST be secured to drywall following the fastener placement below.** These are **temporary hangers ONLY** for roughly locating the frame during boarding.



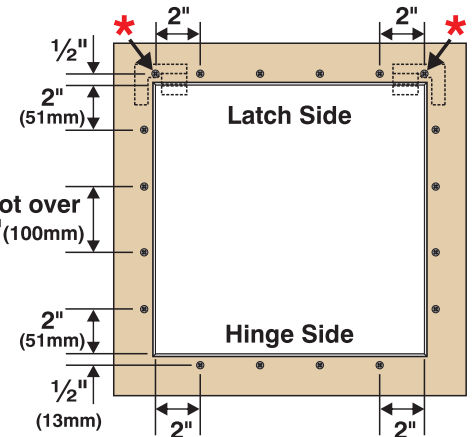
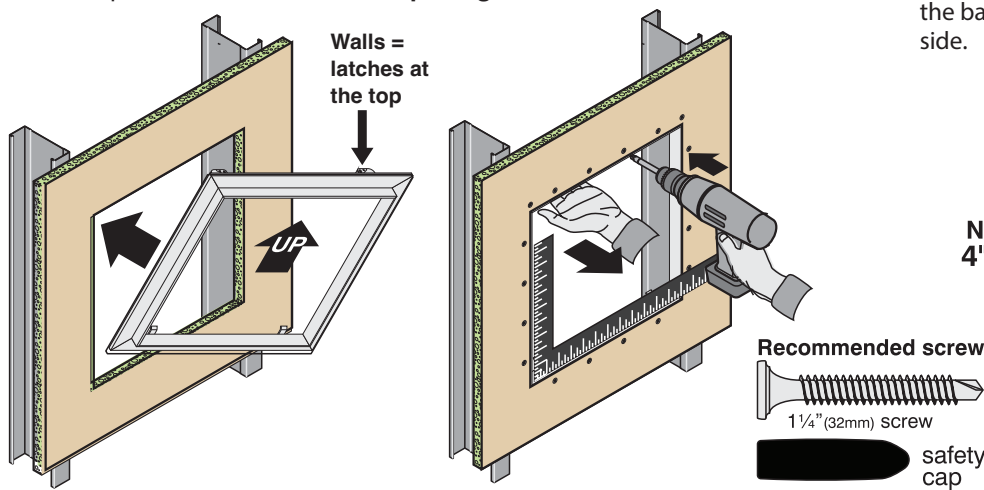
During Drywall Installation



Outer Frame Installation and Panel Finishing

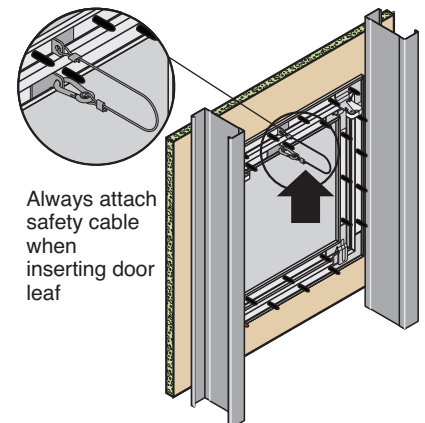
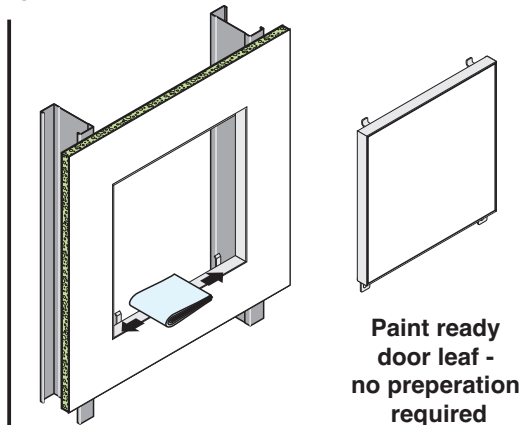
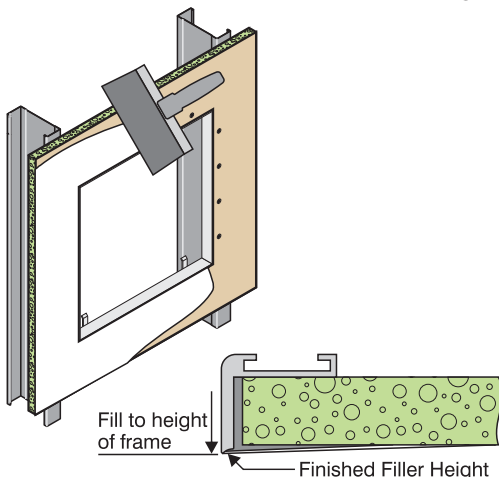
Pass the outer frame through the **cut opening** into position (or locate as shown above) so it rests on back of drywall lip. **Ensure the frame is straight and square.** Screw through the drywall, into the outer frame of the access panel. **Correct fastener spacing must be followed.**

*** Important Fastener Placement.** At latch side only, a screw should be fitted in line with the edge of the frame. It will go through the steel corner brackets. If multiple latches are present, place fasteners through the base of all latch brackets. Use extra screws on latch side.



Measurements are from the edge of the frame.

Insert the door leaf and test for fit and function, the door leaf should open easily without binding. Remove the door leaf and finish drywall around the outer frame. The raised edge of the outer frame acts as a bead to fill to, we recommend using a setting type compound for a first coat. Sand such that the peak of the aluminum frame is visible, and flush to the finished surface. Be sure to clean any excess mud or dust from the frame before reinserting the door leaf. The panel can be painted in place as part of the wall or ceiling, however, care should be taken that excess paint does not bridge the gaps around the panel.



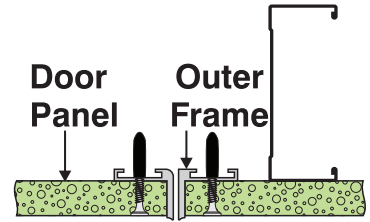
Introduction and Key Concepts

Access Panel Outer Frame

The **Door Size** dimensions (clear opening in outer frame) are used to determine the **Cut Opening** (opening in the drywall) and the minimum **Rough Frame Opening** (spacing of framing members).

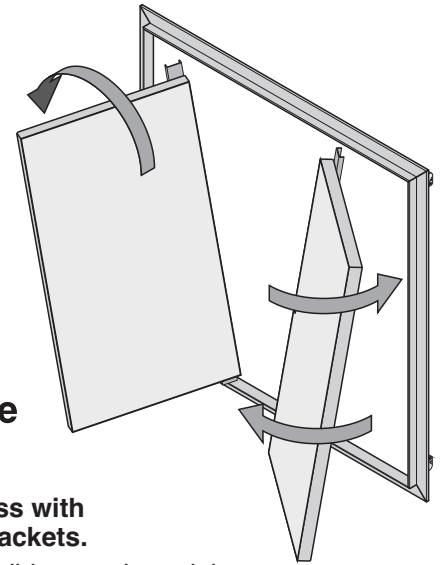
The number group following the first 4 digits in the model number is the **door size**. Ex: access panel with the Model Number 20-58-4842-2 has a 48" x 42" clear opening.

The outer frame mounts to the back of the drywall and is attached with self-drilling screws through the face of the drywall.



Access Panel Door leaves

Remove the door leaves from the outer frame to begin the installation. The door leaf is opened by pressing on the panel on the latch side. When released, the panel springs open. Angle the open panel in order to pass through the outer frame.



For trouble-free installation and operation please observe the following:

- 1 - The access panel outer frame must be screwed to the drywall every 4" or less with more precise attachment at the corners and through the base of all latch brackets.
- 2 - The outer frame must be attached to the drywall square and straight. Frame is flexible; attach straight.
- 3 - The wall or ceiling must be rigid. Blocking and/or rigid hangers must ensure no flexibility or movement in drywall.
- 4 - The drywall surrounding the outer frame should be flat. If screw heads protrude above the face of the framing, it is recommended that drywall shims are used to make a flat surface.

Installation Methods

Standard Installation - Outer Frame located after drywall

The framing members need to be positioned around the intended **cut opening** in the drywall to allow space for the access panel outer frame. After drywall is installed the **cut opening** is made leaving a drywall lip inside the **rough framed opening** as shown. The access panel outer frame is then angled through the opening, positioned against the back of the drywall, and secured as shown. Alternative methods for locating the outer frame, as well as a screw layout guide are on the next page.

Size of the Cut Opening (B)

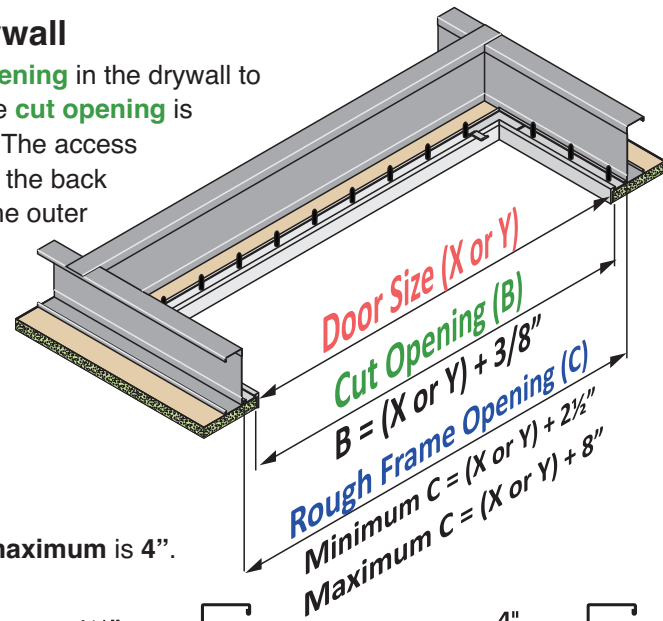
The **Cut Opening** is the door size (X or Y)

EX: a model 20-58-2436 with a 24" x 36" door size needs a 24 3/8" x 36 3/8" cut opening in the drywall.

Size of the Minimum Rough Frame Opening (C)

The **minimum** distance from the panel opening to a stud is 1 1/4". The **maximum** is 4".

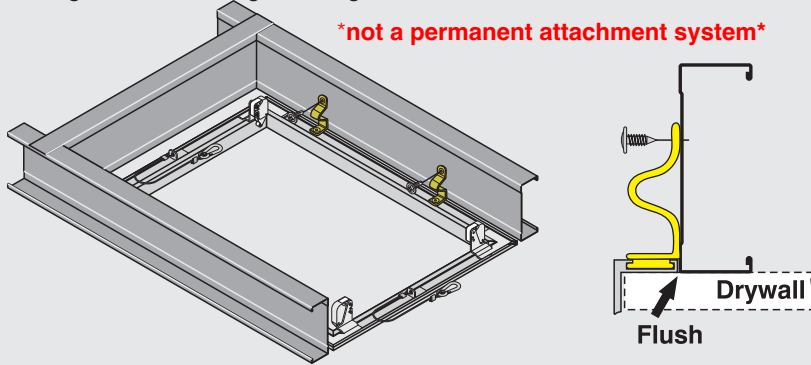
EX: For a Model 20-58-1212 with a 12" x 12" door size, the minimum spacing of the framing is 14 1/2" with 1 1/4" on either side of the panel opening. The maximum spacing is 2 1/2" - with 4" on either side of the panel opening. The panel does not need to be centered relative to the framing so long as all framing falls within the minimum and maximum distances from the panel opening.



Alternative Installation Methods

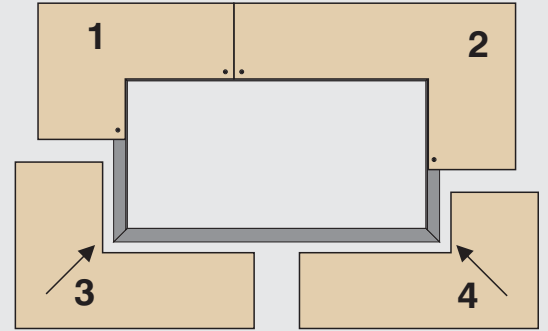
A. Before Drywall Installation

The panel outer frame can be hung in the rough framed opening before the drywall is in place by using Temporary Frame Hangers. Temporary Frame Hangers twist into the outer frame and attached to surrounding framework. **After the drywall is in place, the frame MUST be secured to drywall following the fastener placement below.** These are **temporary hangers ONLY** for roughly locating the frame during boarding.



B. During Drywall Installation

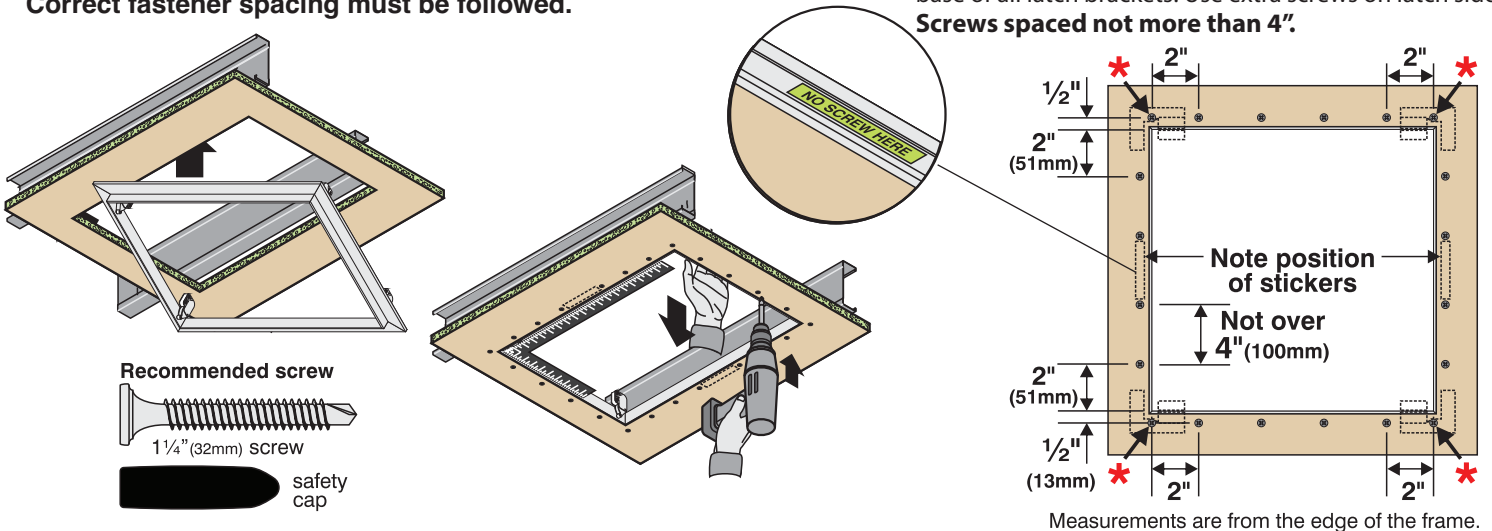
The access panel outer frame can be located resting on the back of the drywall **as the drywall is being installed.** If possible, avoid putting joints at the corners. **The frame must be attached as shown in the next section.**



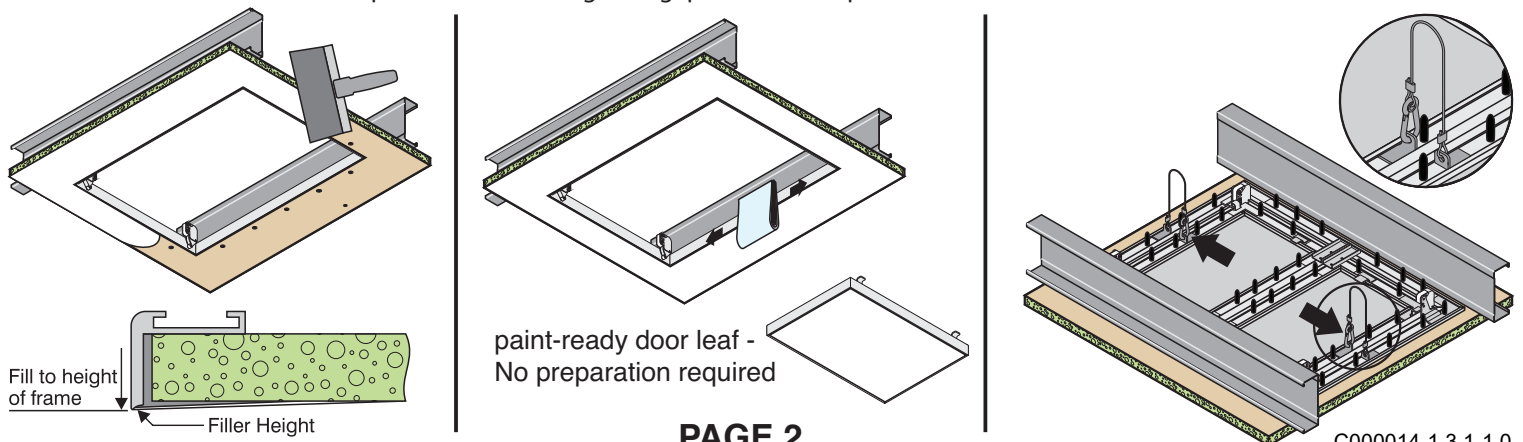
Outer Frame Installation and Panel Finishing

Pass the outer frame through the **cut opening** into position (or locate as shown above) so it rests on back of drywall lip. **Ensure the frame is straight and square.** Screw through the drywall, into the outer frame of the access panel. **Correct fastener spacing must be followed.**

*** Important Fastener Placement.** At latch sides, a screw should be fitted in line with the edge of the frame. It will go through the steel corner brackets. If multiple latches are present, place fasteners through the base of all latch brackets. Use extra screws on latch side. **Screws spaced not more than 4".**



Insert the door leaves and test for fit and function, they should open easily without binding. Remove the door leaves and finish drywall around the outer frame. The raised edge of the outer frame acts as a bead to fill to. We recommend using a setting type compound for a first coat. Sand such that the peak of the aluminum frame is visible, and flush to the finished surface. Be sure to clean any excess mud or dust from the frames. The panel can be painted in place as part of the wall or ceiling, however care should be taken that excess paint does not bridge the gaps around the panel.



BAUCO PLUS II PAINT-READY SINGLE LEAF CEILING ACCESS PANEL - 1 1/2" GWB

FOR USE IN:

- ASSEMBLES CLAD IN 1/2" (13mm) GYPSUM WALLBOARD
- NEW CONSTRUCTION OR REPAIRS
- ROUGH OPENINGS IN GWB WITHOUT ABUTTING STRUCTURES

FRAME:

- RECESSED ALUMINUM EXTRUSIONS
- FRAME ACTS AS FINISHING EDGE
- 1/16" (2mm) GAP BETWEEN FRAME AND DOOR

STANDARD FEATURES:

- STRONG CONCEALED ALUMINUM FRAME AND HARDWARE
- CONCEALED MECHANICAL TOUCH LATCH
- LIFT-OUT DOOR(S) WITH SAFETY CABLES
- MOISTURE/MOLD RESISTANT GWB INLAY
- PERIMETER GASKET (AIR & SMOKE TIGHT)
- PAINT-READY DOOR LEAF DOES NOT REQUIRE MUDDING

HINGE:

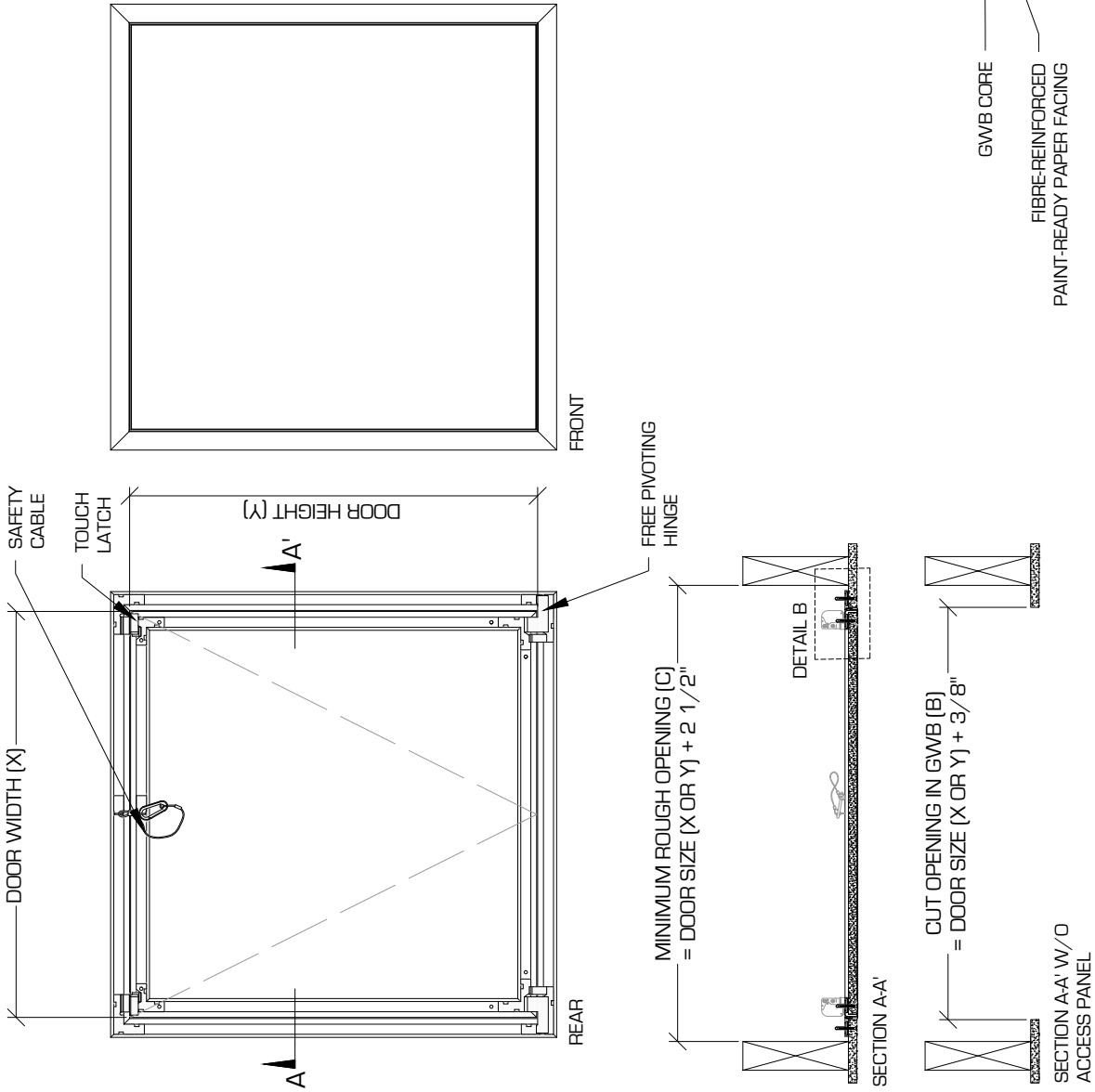
- FREE PIVOTING HINGE
- DOOR CAN BE REMOVED FOR MAXIMUM CLEARANCE

SOUND TRANSMISSION:

- BAUCO PLUS II ACCESS PANELS WILL NOT REDUCE THE STC RATING OF THE ASSEMBLY

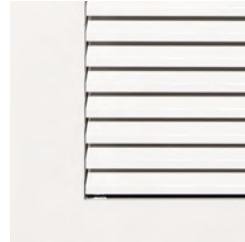
LATCH:

- CONCEALED TOUCH LATCH (STANDARD)
- CAM LATCH (OPTIONAL)
- TAMPER RESISTANT CAM LATCH (OPTIONAL)
- KEYED LOCK (OPTIONAL)

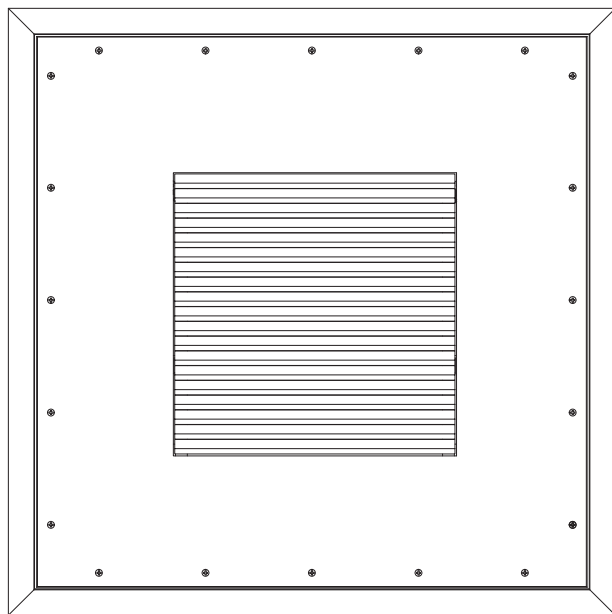


BAUCO® Air

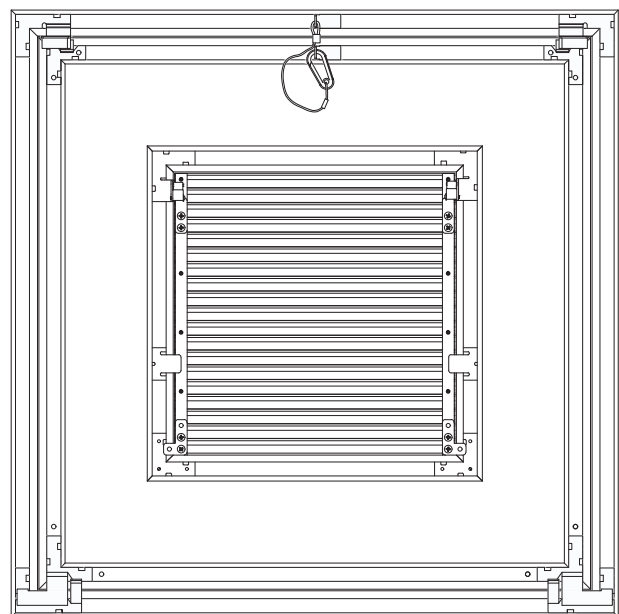
Clean Air Return Grille



BAUCO® Air return grill integrated into BAUCO® Plus II architectural access panel



FRONT



REAR

*Integrate clean ventilation grilles flush with your finishes.
Customize air return openings to fit with your designs.*

BAUCO® Air

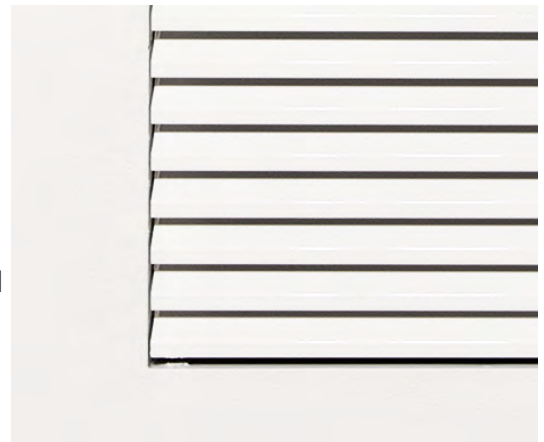
ARCHITECTURAL AIR RETURN GRILLE DESIGNED FOR DRYWALL



Clean and efficient air return grilles are integrated into our drywall access panels (**BAUCO® plus II**, **BAUCO® rondo**, **BAUCO® plus**), but these grilles also install into any GWB surface. Grilles are fitted into the drywall to be frameless and flush with the surface. Use in 1/2" or 5/8" drywall. Unique trim assembly allows for easy and clean finishing of the surrounding surface. Concealed hinge and touch latch mechanism lets you remove the grille core for cleaning without any tools

BENEFITS FOR YOU

- Minimalist, frameless detailing, flush with the surface
- Easily removable grille core for cleaning and filter changes
- Filters can be attached to back of grille (supplied by others)
- Wall and ceiling configuration possible
- No separate openings required for air return and access panel
- Customize your grille in shape, size, and colour



CORE DESIGN

Linear bar grilles feature precision heavy duty aluminum construction for clean, crisp styling and efficient air return. Vanes are angled at 49 degrees. Free area is 48%. Grille cores can be removed independently of the access panel door leaf. Available in anodized and powder coat finishes. Standard colour is white. Custom colours on request. Please Inquire!

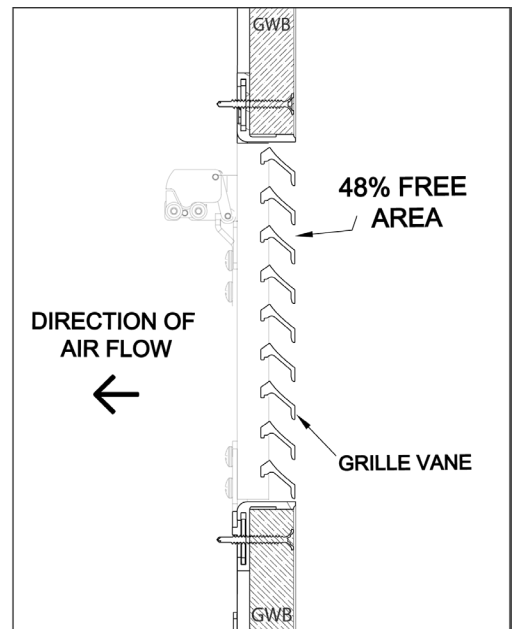


BAUCO® Air

ARCHITECTURAL AIR RETURN GRILLE DESIGNED FOR DRYWALL

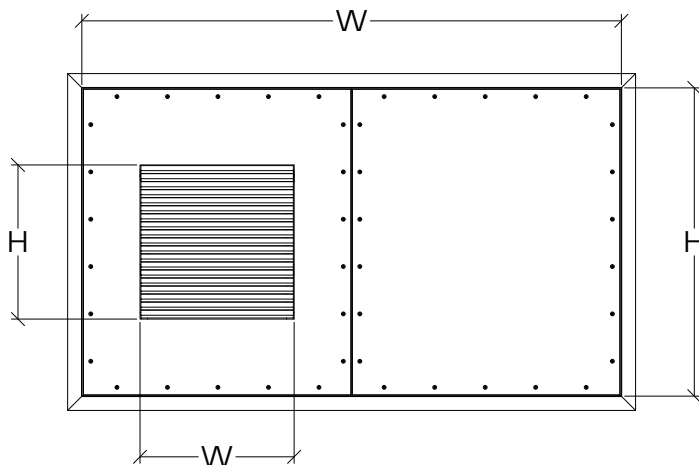
AIR FLOW

- Free area is 48%
- Designed as an air return grille
- No factory ducting available
- Filters can be attached to back of grille frame with coil-spring fasteners

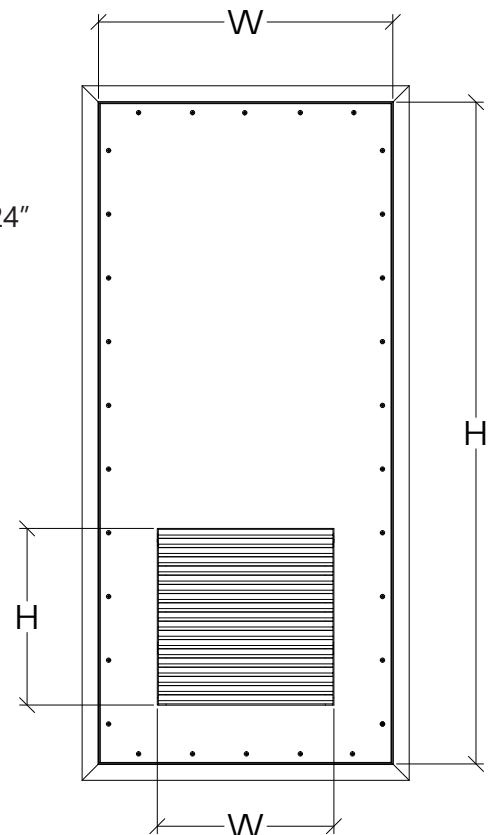


COMMON CONFIGURATIONS

- **BAUCO® air** grilles integrate with a variety of standard and customized **BAUCO® plus II** access panels
- Common door sizes for access to vertical Air Conditione (VTAC) units are 48" x 48", 54" x 26", 58" x 30" with an integrated **BAUCO® air** grille of 20" x 20"
- Common sizes for access to ceiling HVAC units are: access panel 60" x 24" or 63" x 35" with an integrated grille from 20" x 20" to 24" x 24"
- **BAUCO® air** can be customized to meet your requirement, including custom colours



Two leaf ceiling access panel with **BAUCO® air**



Vertical access panel with **BAUCO® air**

BAUCO® Air

ARCHITECTURAL AIR RETURN GRILLE DESIGNED FOR DRYWALL

GRILLE CORE SIZES

- Stock sizes available: 12 x 12", 16 x 16", 20 x 20"
- Custom sizes up to 48" in width and 48" in height
- Nominal vs actual sizes, see table

This new design replaces previous grille cores

NOMINAL HEIGHT (IN)	ACTUAL HEIGHT (IN)
5	5.125
6	5.75
6.5	6.375
7	7
7.5	7.625
8/8.5	8.25
9	8.875
9.5	9.5
10	10.125
10.5/11	10.75
11.5	11.375
12	12

NOMINAL HEIGHT (IN)	ACTUAL HEIGHT (IN)
12.5	12.625
13/13.5	13.25
14	13.875
14.5	14.5
15	15.125
15.5/16	15.75
16.5	16.375
17	17
17.5	17.625
18/18.5	18.25
19	18.875
19.5	19.5

NOMINAL HEIGHT (IN)	ACTUAL HEIGHT (IN)
20	20.125
20.5/21	20.75
21.5	21.375
22	22
22.5	22.625
23/23.5	23.25
24	23.875
24.5	24.5
25	25.125
25.5/26	25.75
26.5	26.375
27	27

NOMINAL HEIGHT (IN)	ACTUAL HEIGHT (IN)
27.5	27.625
28/28.5	28.25
29	28.875
29.5	29.5
30	30.125
30.5	30.75
31/31.5	31.375
32	32
32.5	32.625
33/33.5	33.25
34	33.875

NOMINAL HEIGHT (IN)	ACTUAL HEIGHT (IN)
34.5	34.5
35	35.125
35.5	35.75
36/36.5	36.375
37	37
37.5	37.625
38/38.5	38.25
39	38.875
39.5	39.5
40	40.125
40.5	40.75

NOMINAL HEIGHT (IN)	ACTUAL HEIGHT (IN)
41/41.5	41.375
42	42
42.5	42.625
43/43.5	43.25
44	43.875
44.5	44.5
45	45.125
45.5	45.75
46/46.5	46.375
47	47
47.5/48	47.625

BAUCO® Air

GRILLE CORE REMOVAL AND FINISHING INSTRUCTIONS

Finishing around the grilles in access panels and other drywall surfaces:

- Remove the grille core
- Finish the access panel with gypsum compound
- Paint
- Reinsert grille core

REMOVE GRILLE CORE

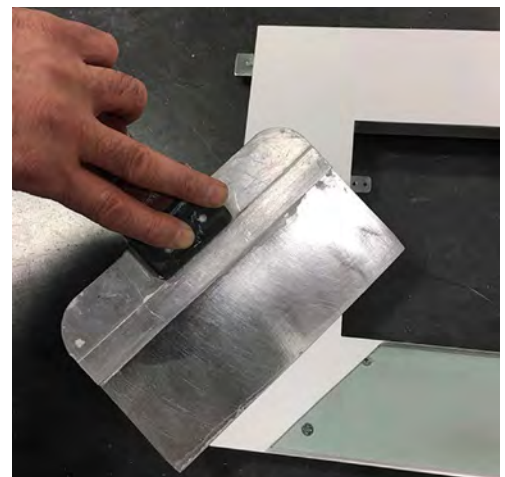
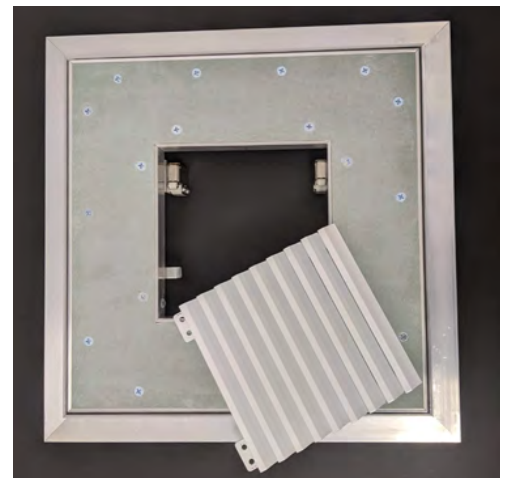
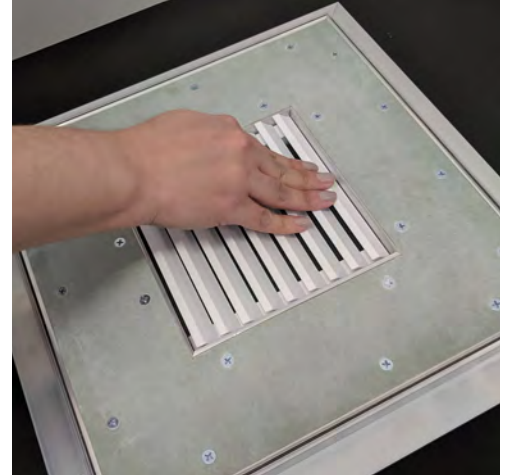
To finish an access panel with **BAUCO® air** grille you will need to remove the grille core from the door leaf. Press firmly on the top edge of the grille to release the concealed spring latches. The grille will tilt forward. Lift it upwards and angle it out of the opening. Set aside.

FINISH DOOR LEAF

Apply filler compound to the door leaf up to the height of the top of the panel and grille aluminum frame.

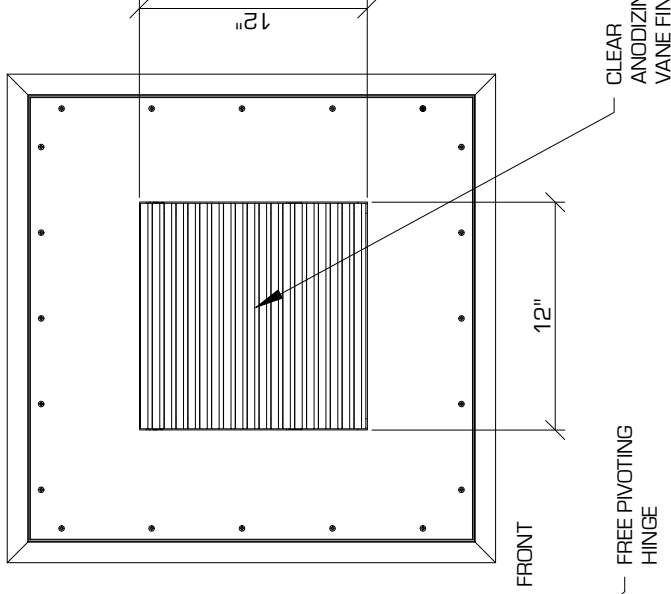
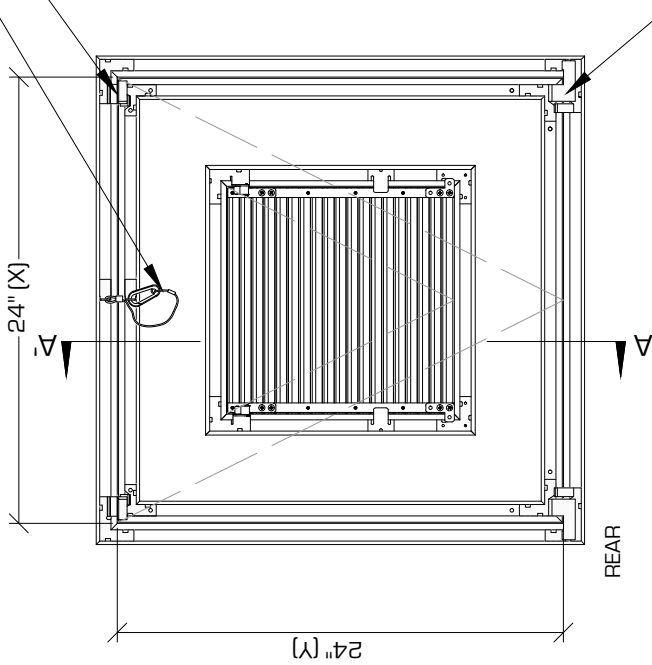
Sand and repeat until desired finish level.

To reinstall grille core into the opening, fit bottom of grille (flat steel hardware) into the opening. Press opposite side firmly into the opening to engage concealed spring touch latches.



BAUCO PLUS II SINGLE LEAF CEILING ACCESS PANEL W/ BAUCO AIR GRILLE - 20-58-C-2424-TL - BAV-1212-A

SAFETY
CABLE
TOUCH
LATCH



BAUCO PLUS II

- FOR USE IN:
- ASSEMBLIES CLAD IN 5/8" (16mm) GYPSUM WALLBOARD
 - NEW CONSTRUCTION OR REPAIRS
 - ROUGH OPENINGS IN GWB WITHOUT ABUTTING STRUCTURES

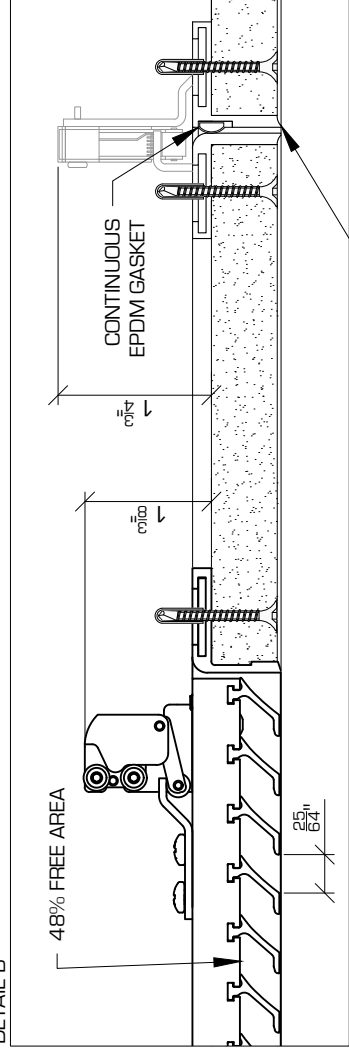
STANDARD FEATURES:

- RECESSED ALUMINUM EXTRUSIONS WITH FRAME ACTING AS FINISHING EDGE
- 1/16" (2mm) GAP BETWEEN FRAME AND DOOR
- STRONG CONCEALED ALUMINUM FRAME AND HARDWARE
- EPDM RUBBER GASKET
- CONCEALED MECHANICAL TOUCH-LATCH STANDARD (OTHER LATCH OPTIONS AVAILABLE)
- MOISTURE/MOLD RESISTANT GWB INLAY
- FREE PIVOTING HINGE
- DOOR CAN BE REMOVED FOR MAXIMUM CLEARANCE

BAUCO AIR

- SIMPLE AND MODERN RETURN AIR GRILLES WITH FULL SERVICE ACCESS
- UNIQUE TRIM ASSEMBLY ALLOWS FOR EASY FINISHING
- FINISHED GRILLE APPEARANCE IS FRAMELESS
- GRILLE MAY BE EASILY REMOVED WITHOUT TOOLS
- CLEAR ANODIZING OR POWDER COATED FINISH OF VANES
- 48% FREE AREA
- VANE DEFLECTION 49°

DETAIL B



BAUCO® plus II
with **BAUCO® air** ARCHITECTURAL ACCESS PANEL WITH INTEGRATED RETURN AIR GRILLE

BAUCO® Softline Clean Flush Access Door



BAUCO® Softline

CLEAN FLUSH ACCESS DOOR

DESCRIPTION

BAUCO® softline is a flush-mount sheet-metal access door designed to be the most visually appealing and functional product of its kind. The installed door “hugs” the surrounding surface with its soft-transition frame flange that minimizes shadows and sight lines on all surfaces. The concealed hardware (hinge, latches, mounting anchors) adds to the appearance allows the door leaf to be removed for unobstructed access.

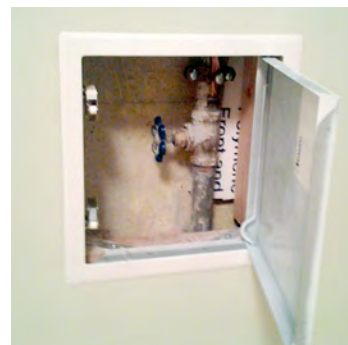
BAUCO® softline is also available with keyed cabinet locks.

FOR USE IN

- Wall or ceiling applications
- New construction or repairs
- Replacement of unsightly existing panels
- Create access openings without having to paint or mud
- Rough openings independent of joists/studs
- Creating access in wood, brick, drywall, concrete, or tiled surfaces
- This product is not fire rated

BENEFITS

- Clean finishes and minimal disruption to sight-lines
- No painting required
- Simple installation with adjustable anchors
- Functional access for walls or ceilings
- Fully removable door leaves



BAUCO® Softline

GALVANIZED SHEET-METAL ACCESS DOOR WITH SOFT-TRANSITION FRAME AND CONCEALED HARDWARE



FRAMING GUIDE

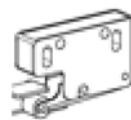


STANDARD FEATURES

- Concealed hinge
- Fully removable door
- Soft-transition flush frame, minimal shadow gaps
- Mounts through holes in frame and in adjustable anchor straps
- Galvanized sheet metal (1 mm thickness)
- White powder-coated finish (RAL 9016)

LATCH OPTIONS

Touch Latch



Keyed Lock



CUSTOM SIZES AVAILABLE

In Quantities Over 100

BAUCO® Softline

IMPERIAL SIZE CHART FOR STANDARD SIZES

Model Number					
Keyed Lock	Touch Latch	Nominal	Rough Framed Opening (A)	Clear Opening (B)	Overall Size (C)
	30-0606-TL	6" x 6"	6" x 6"	5" x 5 1/2"	7 1/4" x 7 1/4"
30-0808-K	30-0808-TL	8" x 8"	8" x 8"	7" x 7 1/2"	9 1/4" x 9 1/4"
30-1212-K	30-1212-TL	12" x 12"	11 3/4" x 11 3/4"	10 7/8" x 11 3/8"	13 1/8" x 13 1/8"
30-1616-K	30-1616-TL	16" x 16"	15 3/4" x 15 3/4"	14 3/4" x 15 1/4"	17" x 17"
30-1818-K	30-1818-TL	18" x 18"	17 1/2" x 17 1/2"	16 1/4" x 16 1/2"	19 1/4" x 19 1/4"
30-2020-K	30-2020-TL	20" x 20"	20 1/8" x 20 1/8"	19" x 19"	21 7/8" x 21 7/8"
30-2424-K	30-2424-TL	24" x 24"	23 1/4" x 23 1/4"	22" x 22 1/4"	25" x 25"



BAUCO SOFTLINE ACCESS DOOR - TOUCH LATCH

FOR USE IN:

- ALL WALL AND CEILING ASSEMBLIES
- CLOSING OPENINGS WITHOUT HAVING TO PAINT OR MUD
- ROUGH OPENINGS IN CLADDING WITHOUT ABUTTING STRUCTURAL STUDS
- CREATING ACCESS IN WOOD, BRICK, DRYWALL, CONCRETE OR TILED SURFACES

BENEFITS:

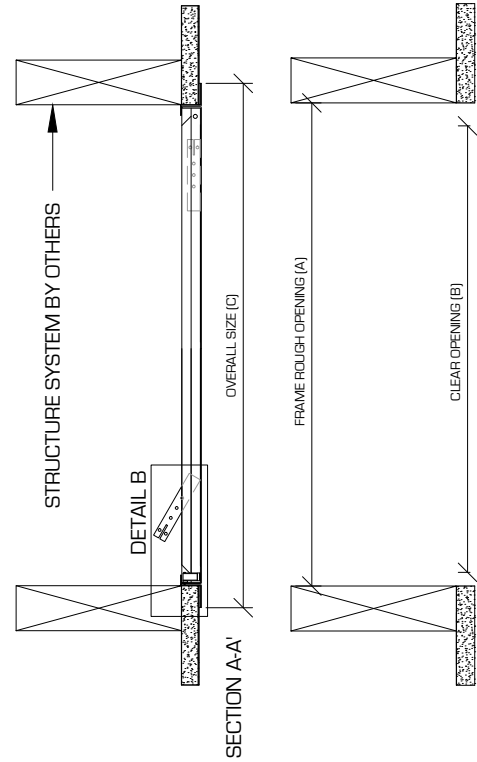
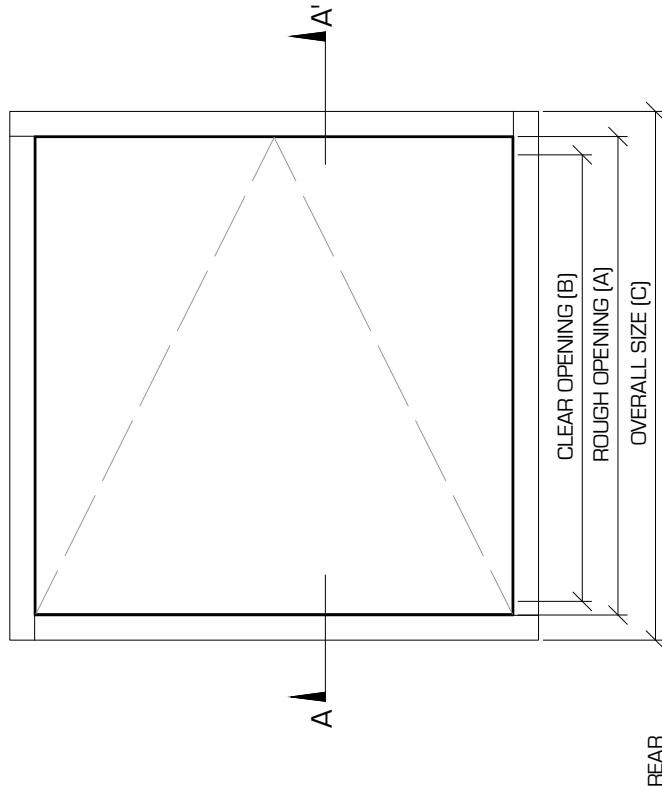
- CLEAN FINISHES & MINIMAL DISRUPTION TO SIGHTLINES
- NO PAINTING REQUIRED (CAN BE PAINTED WITH MINIMAL SURFACE PREPARATION)
- SIMPLE INSTALLATION IN STUDS, STONE, OR BRICK, WITH ADJUSTABLE ANCHORS
- FUNCTIONAL ACCESS FOR WALLS OR CEILINGS
- MAXIMUM UNRESTRICTED ACCESS WITH FULLY REMOVABLE DOOR LEAVES

STANDARD FEATURES:

- GALVANIZED, SHEET METAL (THICKNESS 1 MM)
- WHITE POWDER-COATED FINISH (RAL 9016)
- CONCEALED HINGE
- FULLY REMOVABLE DOOR
- CONCEALED MECHANICAL TOUCH LATCH
- SOFT-TRANSITION FLUSH FRAME, MINIMAL SHADOW GAPS
- MOUNTS TO STUDS, STONE, BRICK, ETC. THROUGH HOLES IN FRAME & IN THE ADJUSTABLE ANCHOUR STRAPS

LATCH OPTIONS

- CONCEALED TOUCH LATCH (STOCK ITEM)
- KEYED CABINET LOCK, KEYED ALIKE (STOCK ITEM)



SECTION A-A' WITHOUT ACCESS PANEL

BAUCO SOFTLINE ACCESS DOOR - KEYED LOCK

FOR USE IN:

- ALL WALL AND CEILING ASSEMBLIES
- CLOSING OPENINGS WITHOUT HAVING TO PAINT OR MUD
- ROUGH OPENINGS IN CLADDING WITHOUT ABUTTING STRUCTURAL STUDS
- CREATING ACCESS IN WOOD, BRICK, DRYWALL, CONCRETE OR TILED SURFACES

BENEFITS:

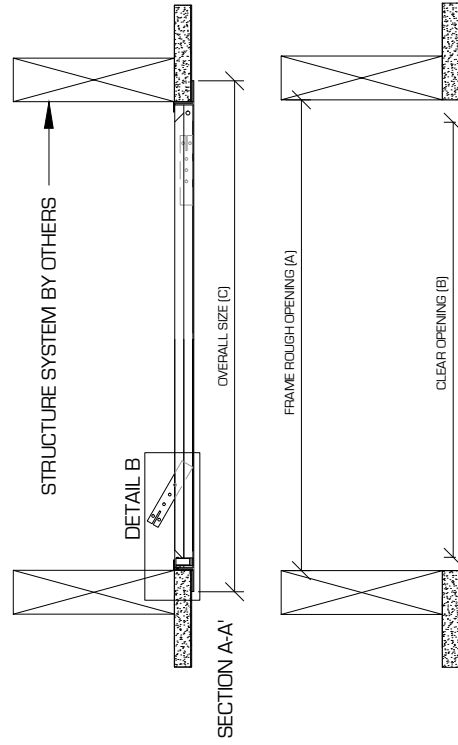
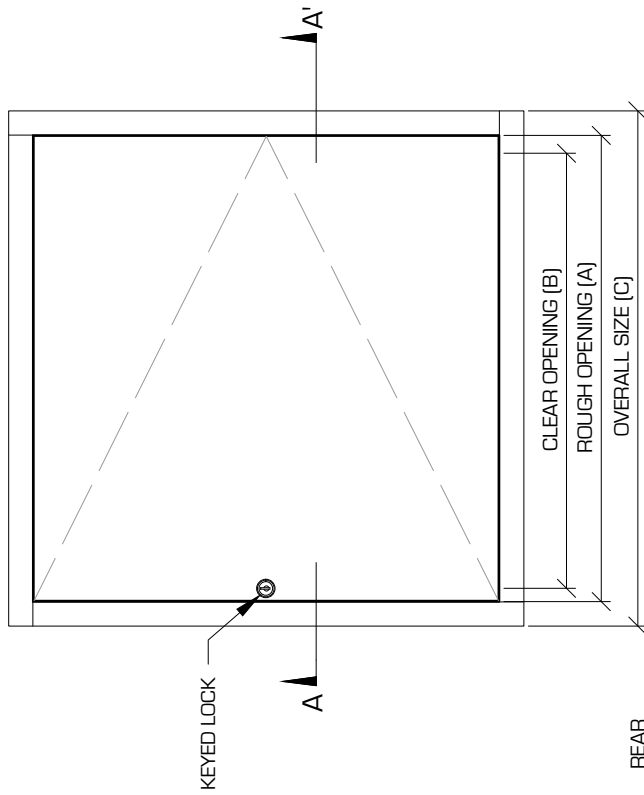
- CLEAN FINISHES & MINIMAL DISRUPTION TO SIGHTLINES
- NO PAINTING REQUIRED (CAN BE PAINTED WITH MINIMAL SURFACE PREPARATION)
- SIMPLE INSTALLATION IN STUDS, STONE, OR BRICK, WITH ADJUSTABLE ANCHORS
- FUNCTIONAL ACCESS FOR WALLS OR CEILINGS
- MAXIMUM UNRESTRICTED ACCESS WITH FULLY REMOVABLE DOOR LEAVES

STANDARD FEATURES:

- GALVANIZED, SHEET METAL (THICKNESS 1 MM)
- WHITE POWDER-COATED FINISH (RAL 9016)
- CONCEALED HINGE
- FULLY REMOVABLE DOOR
- CONCEALED MECHANICAL TOUCH LATCH
- SOFT-TRANSITION FLUSH FRAME, MINIMAL SHADOW GAPS
- MOUNTS TO STUDS, STONE, BRICK, ETC. THROUGH HOLES IN FRAME & IN THE ADJUSTABLE ANCHOUR STRAPS

LATCH OPTIONS

- CONCEALED TOUCH LATCH (STOCK ITEM)
- KEYED CABINET LOCK, KEYED ALIKE (STOCK ITEM)



SECTION A-A' WITHOUT ACCESS PANEL

Project Name:
Project Number:

Item Number:
Item Description:

Manufacturer: Bauco Access Panel Solutions
Address: 834 Devonshire Road, Victoria, BC Canada V9A 4T4
Telephone: 1-250-592-0033 Toll-free Telephone: 1-877-592-0033
Fax: 1-250-592-7587 Toll-free Fax: 1-877-592-7587
Email: info@BAUCO.com

Model Number: Softline 30-____-TL *series

Model Name: **BAUCO® softline** galvanized sheet metal access panel

Description: Soft transition edge metal access panel with no edge shadow.
No sharp edges, no seams, or miter jointed corners.
Complete with rear adjustable tabs for mounting.
Low profile access panels rise only 1.8mm above finished surface.
Installs flush in walls or ceilings.
Hardware free finish, opens with concealed touch latches.
Suitable for new construction and repairs.
Panels arrive ready for installation.
Powder coat painted white (RAL 9016)



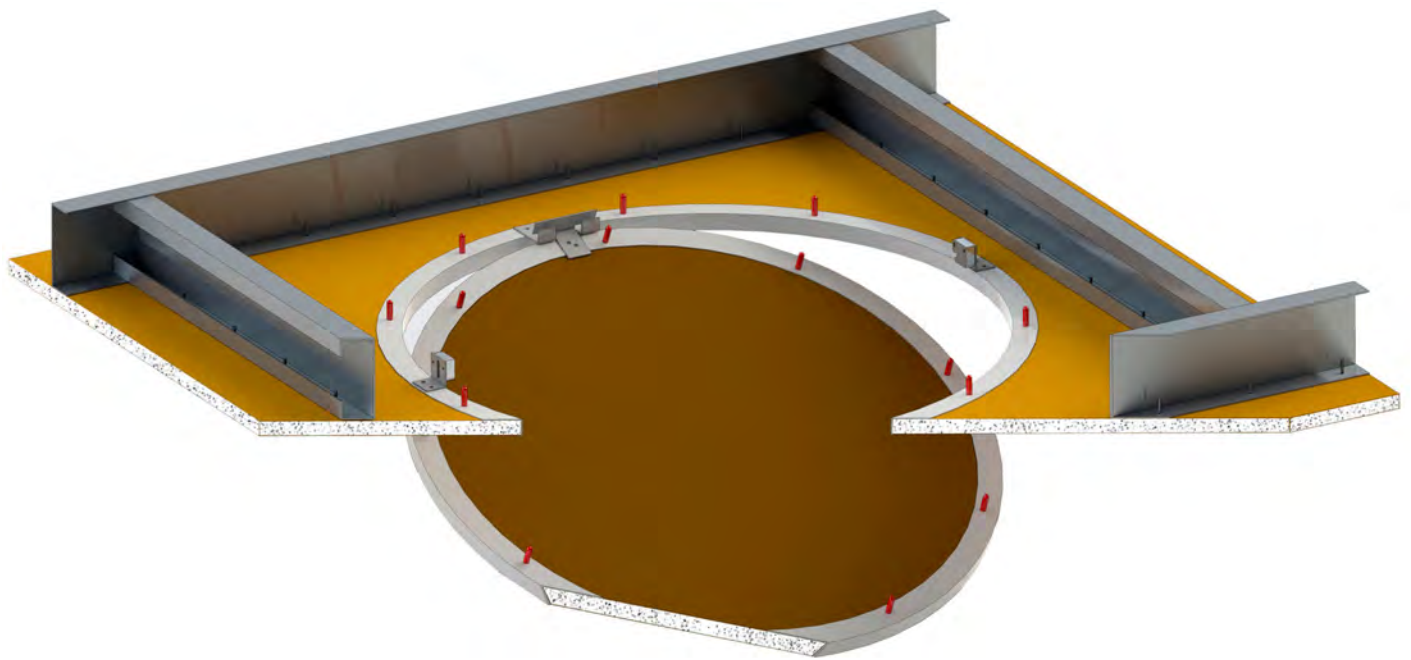
Dimensions: Standard sizes: 6" x 6", 8" x 8", 12" x 12", 16" x 16", 18" x 18",
20" x 20", 24" x 24"
Custom sizes available in large production runs over 100 units,
call for more details.

Sizing: For a proper fit, the cut opening has to be the door size (A) + 1/4".

Notes: * Middle 4 digits indicate size
e.g. 30-1212-TL = 12" x 12" square panel with touch latches.
Options: Key lock = K

BAUCO® Rondo

Circular Access Panels for Drywall



BAUCO® Rondo

CIRCULAR ACCESS PANELS DESIGNED FOR DRYWALL

DESCRIPTION

The **BAUCO® rondo** is a circular gypsum wallboard access panel based on the design principles of the square **BAUCO® plus II** model. The concealed hardware lets it blend seamlessly with the surrounding wall or ceiling. Once installed and finished a clean 1/16" void is all that remains visible. All elegant and functional treatments can be applied to the door as well.

FOR USE IN

- All assemblies clad in gypsum wallboard, 1/2" or 5/8"
- Wall or ceiling installation
- New construction or repairs
- Rough openings in GWB without abutting structures
- Maximum clearance with removable door leaf
- This product is not fire rated

BENEFITS

- Circular access to match other curvilinear design features
- Consistent continuous surfaces for virtually invisible access
- 1/16" (2 mm) visible gap
- Apply your choice of surface treatments directly to the door leaf
- Superior acoustics with gasket and mass of GWB in door

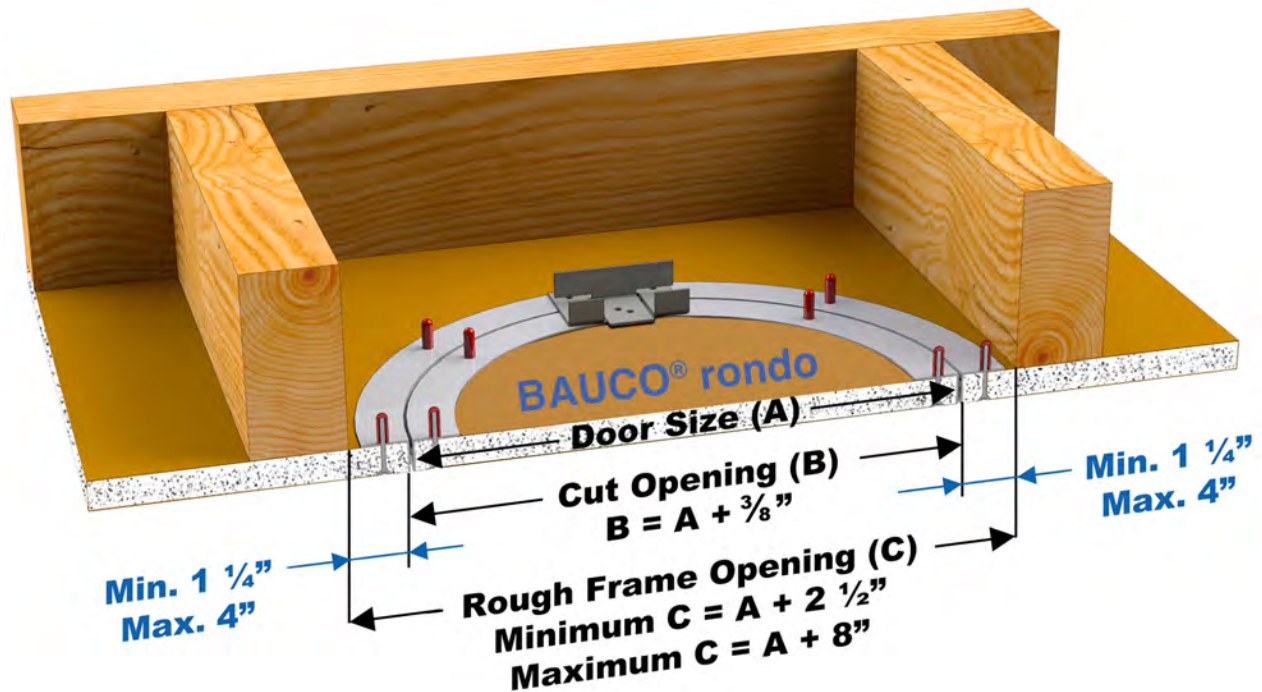


BAUCO® Rondo

ARCHITECTURAL ACCESS PANEL WITH CONCEALED HARDWARE AND GYPSUM BOARD INLAY



FRAMING GUIDE



STANDARD FEATURES

- Concealed mechanical touch latch
- Concealed hardware (frame, latch, and hinge)
- Frame fits both 1/2" and 5/8" material
- Fully removable door panel with safety cables
- Moisture resistant gypsum wallboard inlay

SIZES AVAILABLE: 12", 16", AND 24"

LATCH OPTIONS

Touch Latch



Keyed Lock



CAM Latch



TORX Latch



BAUCO RONDO CIRCULAR CEILING ACCESS PANEL

FOR USE IN:

- ALL ASSEMBLIES CLAD IN GYPSUM WALL BOARD
- CEILING INSTALLATION
- NEW CONSTRUCTION OR REPAIRS
- ROUGH OPENINGS IN GWB WITHOUT ABUTTING STRUCTURES

BENEFITS:

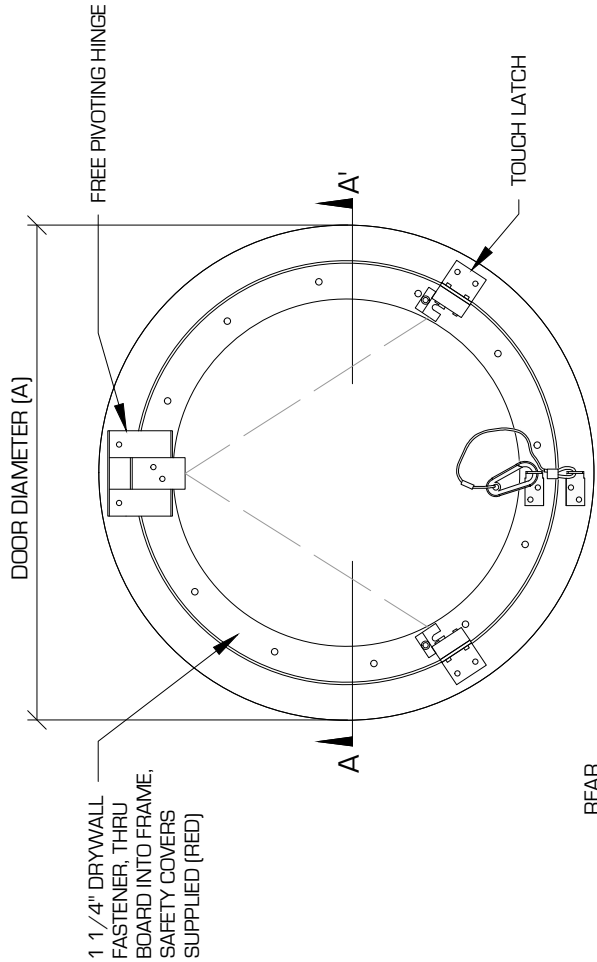
- CIRCULAR ACCESS TO MATCH OTHER CURVILINEAR DESIGN FEATURES
- CONSISTENT CONTINUOUS SURFACES FOR VIRTUALLY INVISIBLE ACCESS (ONLY A 1/16" 1.5 MM VOID REMAINS VISIBLE).
- SUPERIOR SOUND BARRIER MAINTAINED BY MASS OF GYPSUM WALLBOARD IN DOOR.
- GYPSUM SURFACES SUITED TO ELEGANT AND FUNCTIONAL TREATMENTS.
- UNENCUMBERED ACCESS WITH REMOVABLE DOOR LEAF
- EASY INSTALLATION WITH COMMON TROWEL TOOLS.

STANDARD FEATURES:

- CONCEALED HARDWARE (FRAME, LATCH & HINGE)
- FRAME FITS BOTH 1/2" & 5/8" MATERIAL FULLY REMOVABLE DOOR PANEL WITH SAFETY CABLES
- MECHANICAL CONCEALED TOUCH LATCH
- MOISTURE RESISTANT GYPSUM WALLBOARD INLAY

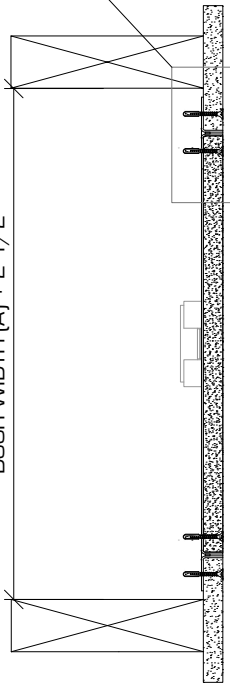
OPTIONS:

- CAM LATCH



REAR

ROUGH OPENING (C)
= DOOR WIDTH (A) + 2 1/2"

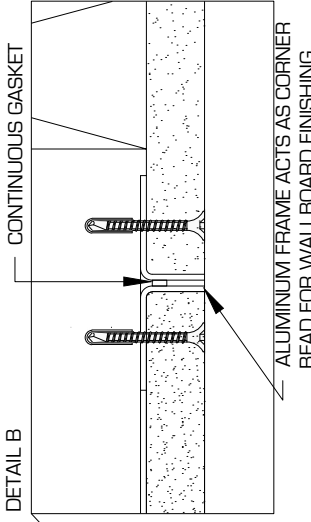
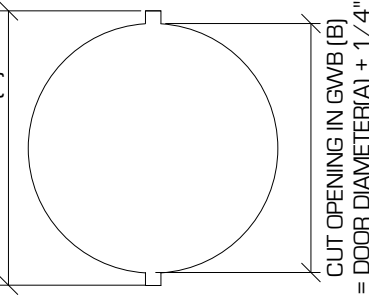


SECTION A-A



SECTION A-A WITHOUT ACCESS PANEL

CUT OPENING INTO GYPSUM BOARD,
PASS FRAME THROUGH AND LAY DOWN
DOOR DIAMETER (A) + 2"



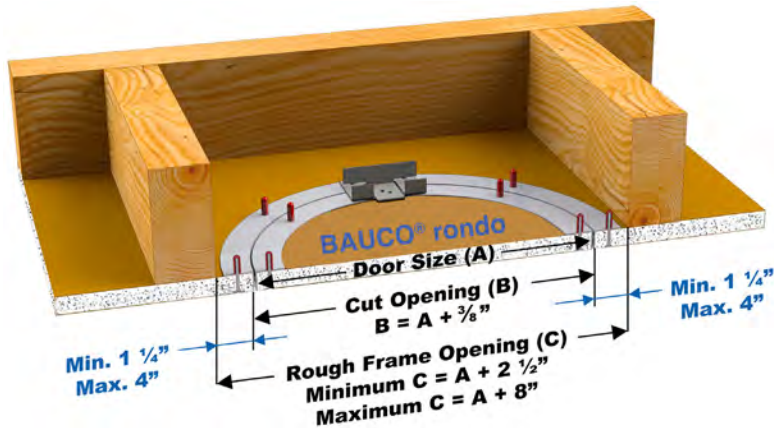
NOMINAL SIZE	MODEL NUMBER	DIAMETER (A)	
		INCH	MM
12"	20-58-300D/A	11 7/8" ID	300 ID
16"	20-58-400D/A	15 3/4" ID	400 ID
24"	20-58-600D/A	23 5/8" ID	600 ID

BAUCO® Rondo

INSTALLATION INSTRUCTIONS



FRAMING GUIDE



1. Frame/block ceiling as outlined above. Take measurements for reference to center of circle.

2. Separate outside frame from access panel assembly. Open touch latches, unhook safety cable, and pull out the door leaf.

Tip: Place outer frame in ceiling area on top of joist if possible for later retrieval.

3. Drywall ceiling. Transfer circle center point.

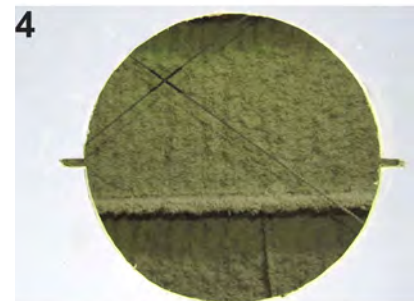
4. Cut out opening in drywall in appropriate spot. Remove any frayed edges and debris from back of drywall. If outside frame was stashed in ceiling before drywall installed, locate this now. If not, cut two notches 1" deep at opposite points on the circle so outside frame can be passed through the opening.

5. Pull frame into place against the back of the drywall ensuring that the mounting flange contacts solidly against the surface of the back of drywall. The frame edge should protrude slightly beyond the face of the drywall.

6. Holding the frame firmly in place, attach with metal cutting drywall screws. It is very important to place screws on either side of hinge bracket and touch latch brackets without screwing through the steel component. The maximum distance between screws is 4"

7. Apply filler compound up to rim of access panel frame (7A). Fill access panel door leaf up to the top of metal frame (7B).. Frame height is height of finish. Ensure all gaps tightly filled. Let dry, sand, and repeat until desired finish is achieved.

8. Clean excess filler and dust from access panel frames (8A). Prime and paint the same as surrounding ceiling area (8B).



BAUCO® XL

Extra-large, hinged, virtually invisible, access panel



BAUCO® XL

Extra-large, hinged, virtually invisible, access panel

DESCRIPTION

BAUCO® XL is a drywall access panel with concealed hardware, extra rugged frame, solid finishing bead, and proprietary fixed hinge. The door is designed for large yet functional access openings (primarily in walls) that blend seamlessly with the surrounding finishes. The door hinges via a virtual pivot-point, which minimizes the potential for mechanical damage to the leading edges. The door leaf can easily be removed for clear access. The BAUCO® XL is available in standard sizes starting from 24" x 36" to almost any custom size (inquire!).

BAUCO XL COMPARED TO BAUCO plus II

- Box-style frame fastens to studs
- Integrated finishing bead
- Fully hinged door swings left or right in walls
- Larger size of single door leaf in walls (up to 22 sq.ft)

APPLICATIONS

- The BAUCO XL is designed for large access openings in walls (ceilings possible)
- The front-mounted frame with bead can be used in any guage or drywall
- New construction or retro-fitting, without reframing and re-boarding of rough openings
- Non fire-rated assemblies

BENEFITS

- Virtually invisible, fully customizble, access openings
- Minimal 2mm (5/64") visible reveal
- Door leaf with concealed hinge swings open to 105 degrees
- No shadow gaps due to recessed or proud installation
- Apply your treatments across surface for continuous finish
- Superior acoustics with gasket + mass of GWB in door (STC tested)
- Custom sizes, custom inlays, and custom hardware

MATCH YOUR DESIGN

The concealed hardware, variety of inlay's, and flush finishes allow for a variety of surface treatments. Finishing (by others): paint, plaster, stucco, tile, wall coverings, veneer and millwork.

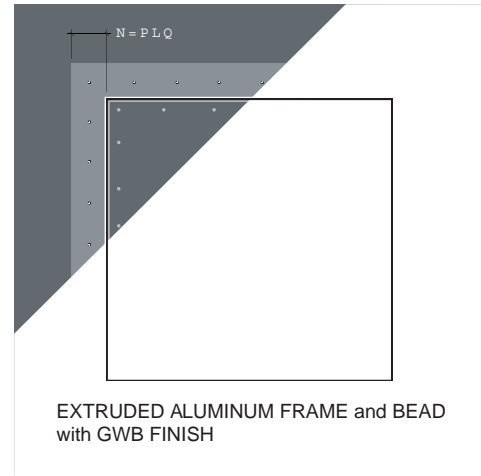


BAUCO® XL

Extra-large, hinged, virtually invisible, access panel

STANDARD FEATURES

- Heavy-duty aluminum frame with finishing bead
- Countersunk holes in frame for flush front mounting
- Easily unhinged / removable door leaf with concealed steel hardware
- Perimeter gasket made of closed-cell foam-filled rubber
- Moisture and mold resistant drywall inlay



IMPERIAL/METRIC SIZE CHART FOR STANDARD SIZES (NOMINAL DOOR)

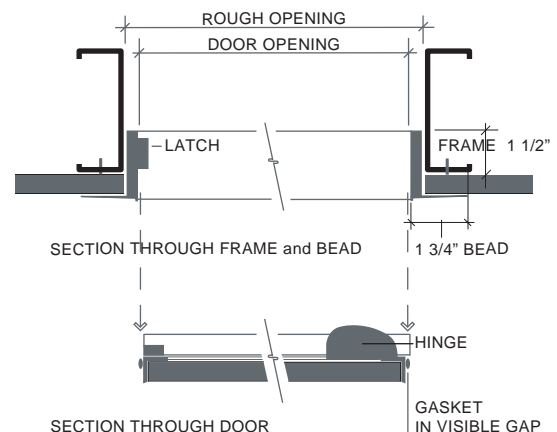
Model Number	Access Door Size inch (mm)	Minimum Rough Opening	Weight (lbs)
40-W-2436-TL	24" x 36" (609.6 x 914.4)	25 ¼" x 37 ¼" (645 x 950)	22.5
40-W-3636-TL	36" x 36" (914.4 x 914.4)	37 ¼" x 37 ¼" (950 x 950)	33.8
40-W-2448-TL	24" x 48" (609.6 x 1219.2)	25 ¼" x 49 ¼" (645 x 1255)	30.0
40-W-4848-TL	48" x 48" (1912.2 x 1912.2)	49 ¼" x 49 ¼" (1255 x 1255)	60.0
40-W-3060-TL	30" x 60" (762 x 1524)	31 ¼" x 61 ¼" (798 x 1560)	46.9
40-W-3072-TL	30" x 72" (762 x 1828.8)	31 ¼" x 73 ¼" (798 x 1864)	56.3

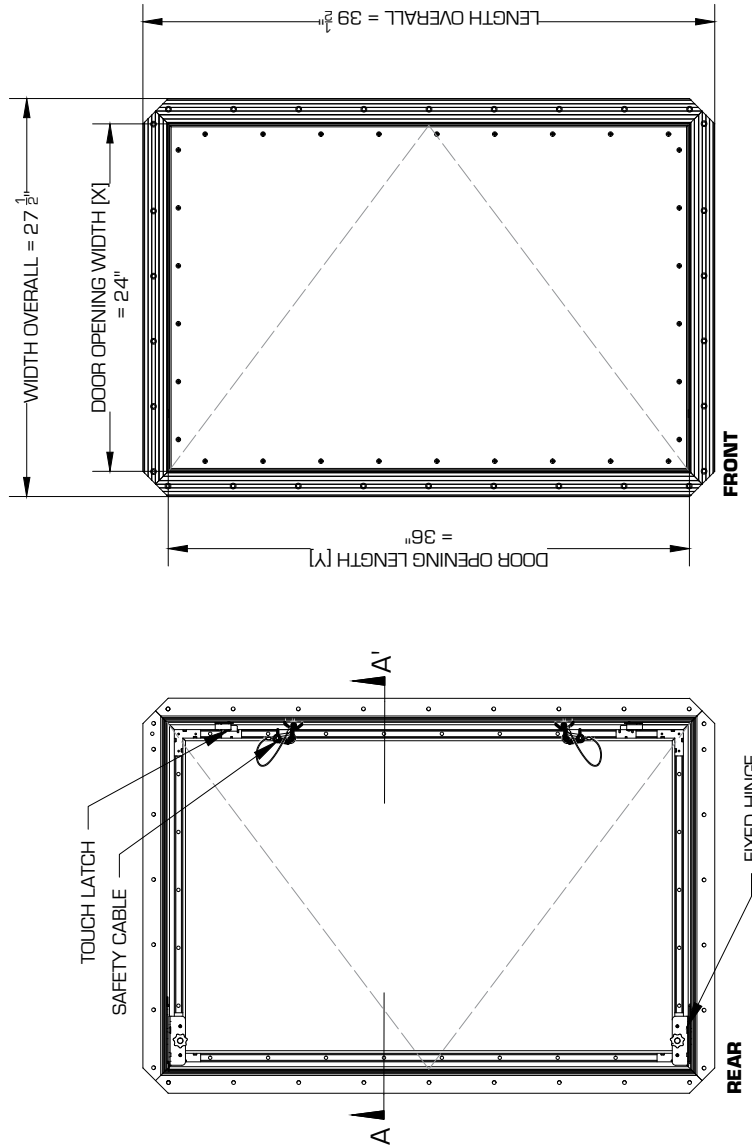
*Door leaf inlay is 5/8" GWB TL = Mechanical Touch Latch (Standard) K = Keyed Lock (Optional) CAM = Cam latch (Optional)

- Rough openings are nominal door size plus 1 1/4".
- Overall product with bead measures nominal door width/height plus 3 1/2".

CUSTOM SIZES & OPTIONS

- Custom sizes with short lead times. Larger openings with two leaves. Single leaf up to 22 sq ft
- Adjust the size and shape
- Option of two hinged leaves (bombay style without centre bar)
- Latch (concealed, cam, tamper-resistant, or keyed)
- Customize your inlay (wood, acoustic board, tile backer, etc.)
- Paint-ready option. The panels are shipped with a highly durable, factory-primed door leaf that reduces installation time.





BAUCO XL
ACCESS PANEL WITH FIXED HINGE AND FINISHING BEAD

FOR USE IN

- ASSEMBLIES CLAD IN GYPSUM WALL BOARD AND SIMILAR SHEETING
- ALL THICKNESSES OF SHEETING
- PRIMARILY DESIGNED FOR LARGER OPENINGS IN WALLS - CEILINGS POSSIBLE. (SEE ALSO BAUCO PLUS II)
- NEW CONSTRUCTION OR REPAIRS
- EXISTING ROUGH OPENINGS
- NON FIRE RATED ASSEMBLIES

STANDARD FEATURES

- CONCEALED HARDWARE AND FRAME
- HEAVY DUTY OUTER FRAME WITH INTEGRATED FINISHING BEAD
- LEFT OR RIGHT SWINGING HINGE
- COUNTERSUNK HOLES IN FRAME FOR FLUSH MOUNTING TO SURROUNDING ASSEMBLY
- EASILY DETACHED REMOVABLE DOOR LEAF WITH CONCEALED HARDWARE
- NYLON COATED SPRING SNAP CARABINEER SAFETY CABLE

ACOUSTICS AND SEAL

- STC TESTED AGAINST ASTM E90
- ACOUSTIC BOARD INLAY AVAILABLE
- SUPERIOR RESISTANCE TO AIR LEAKAGE PER ASTM E283

MATERIALS

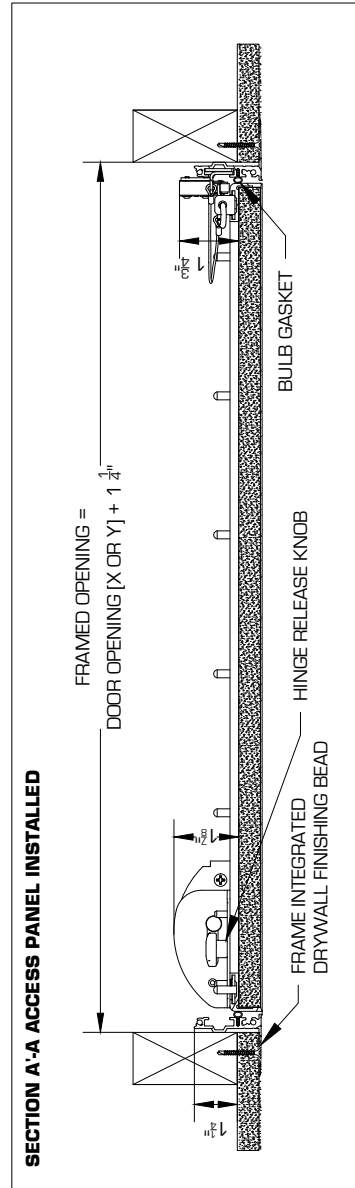
- ALUMINUM EXTRUDED FRAME AND FINISHING BEAD
- HEAVY GAUGE GALVANIZED STEEL HARDWARE
- CLOSED CELL FOAM FILLED RUBBER GASKET
- MOLD AND MOISTURE RESISTANT GYPSUM WALLBOARD, TYPE X 5/8" (15.9 mm)
- VINYL SAFETY CAPS

HINGE

- HEAVY DUTY GALVANIZED STEEL HINGE
- OPENS TO 105 DEGREES
- DEMOUNTABLE DOOR LEAF WITH HAND FASTENING KNOBS
- VARIABLE PIVOT POINT

LATCH

- CONCEALED MECHANICAL TOUCH LATCH
- OPTIONAL KEYPED LOCK
- OPTIONAL CAM LATCH (SLOT OR TORX HEAD)



BAUCO XL ARCHITECTURAL ACCESS PANEL WITH CONCEALED HARDWARE AND GYPSUM BOARD INLAY

PROJECT NAME

APPROVED BY

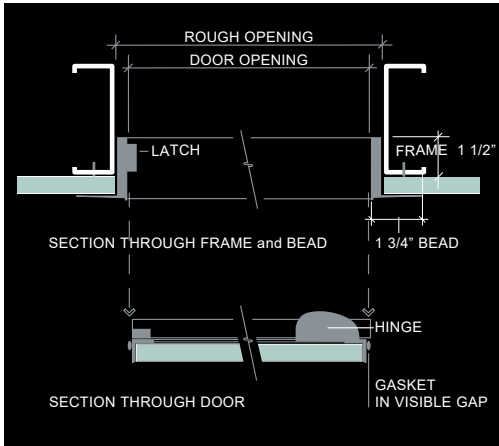
8234 DEVONSHIRE ROAD VICTORIA,
BRITISH COLUMBIA CANADA V8N 4T4
P - 250.592.0033 / TF- 877.592.0033
F- 250.595.0513 / TF- 877.592.7587
W - www.BAUCO.com
E - info@BAUCO.com



CLIENT

DATE

Step 1: Prepare the Rough Opening

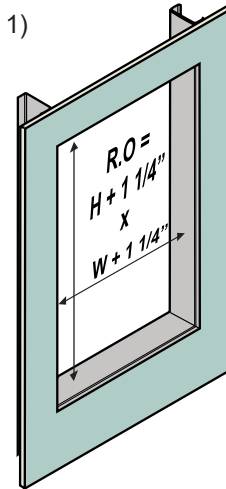


RO Dimension = Door Size + 1 1/4"

For Example: Access Panel 60" tall x 30" wide in wall, the R.O must be 61 1/4" tall x 31 1/4" wide.

- Ensure the framing is square, level and plumb.

(Fig. 1)



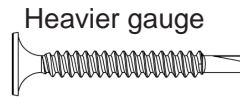
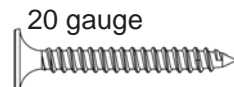
Step 2: Position, Align and Secure in R.O

- Place the closed access panel into the R.O to test the fit.
- Door can be used for either left or right swing.
- Take care not to strip the fastener hole in the framing.
- Start by placing the first fastener a top end of the side opposite the hinge (latch side (A) Fig.3) Then align that edge to be plumb and secure it from top to bottom with fasteners.
- Next lift lower end of the hinge side (Fig.3) until visible gap (---) looks evenly spaced (2mm or 5/64") all around and fix with first fastener on hinge side. Then place fasteners all along hinge side.
- Finish by placing fasteners in all holes at top and bottom of opening.
- Open door leaf and check for smooth function.

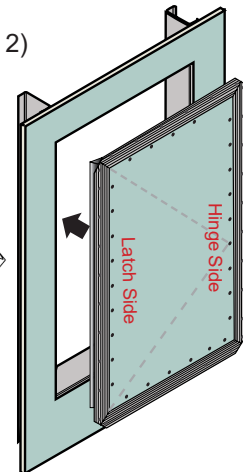
*Finishing bead should sit snug/tight against drywall.

Important Notes:

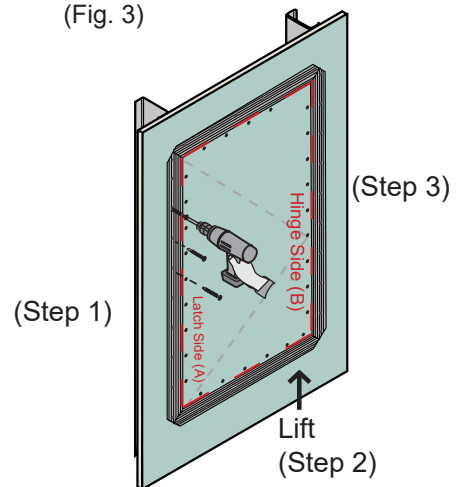
- Install fasteners to all countersunk holes
- Re-tighten all fasteners in a 2nd pass as needed



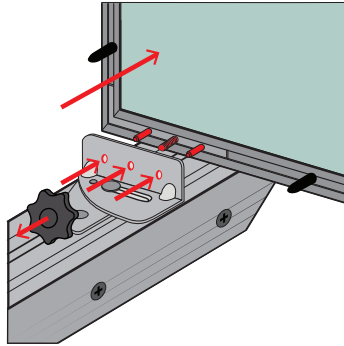
(Fig. 2)



(Fig. 3)



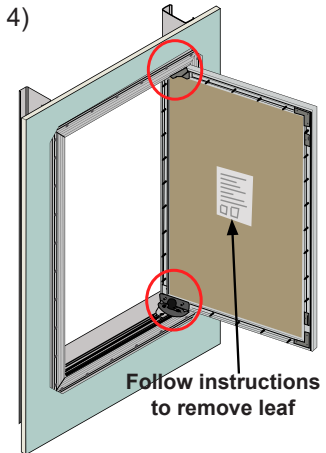
Step 4: Remove Door Leaf for Finishing



(Fig. 5)

- Open door leaf and locate black knobs at top and bottom hinge. (Fig. 4)
- Loosen the black knobs and carefully disengage the door leaf from the hinge. (Fig. 5)

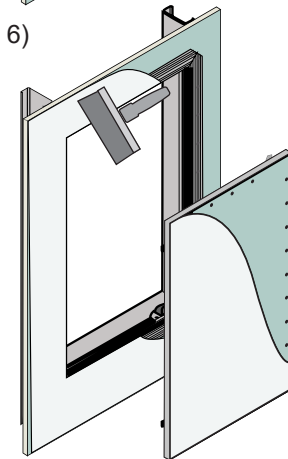
(Fig. 4)



(Fig. 6)

Step 5: Apply Filler Compound to Outer Frame

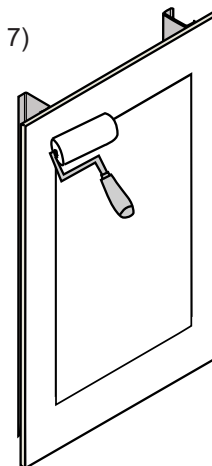
- Apply a first coat of drywall compound to the bead. A setting-type compound is recommended for the first coat.
- Note that it is not necessary to tape the transition from the aluminum bead to the drywall.
- Let dry, sand, and apply more coats of filler until the desired finish is achieved. (Fig. 6)
- Apply drywall compound to the door leaf. Do not leave compound above the leading edge of the frame.
- Let dry, sand and apply subsequent coats of filler until the desired finish is achieved.



Step 6: Clean Frame and Gasket

- Use a wet cloth or gentle sanding sponge to remove any excess mud from aluminum door frame, gasket, and door leaf.
- Tip: Apply silicon lubricant to the gasket for superior operation.

(Fig. 7)

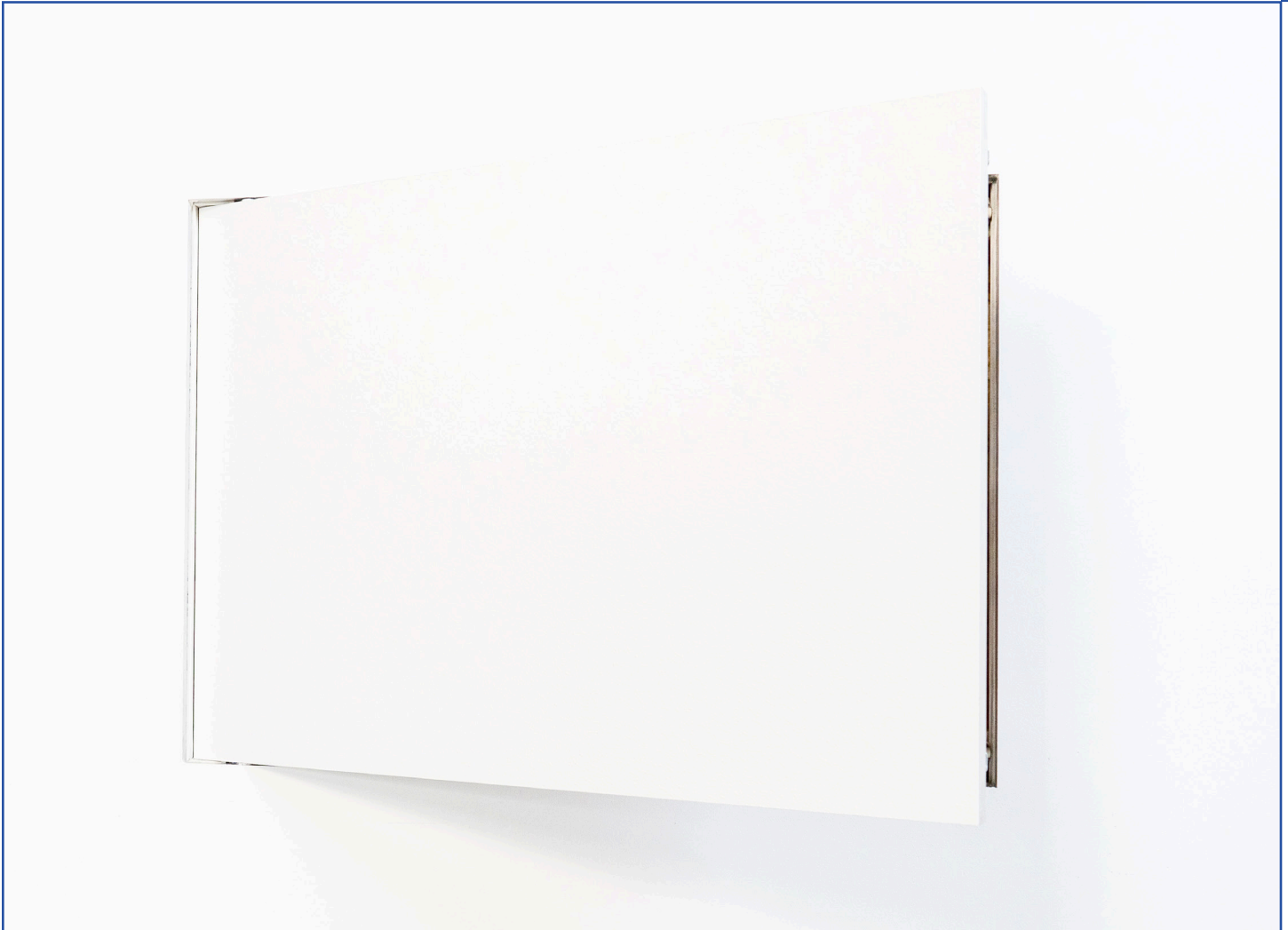


Step 7: Re-hang Door Leaf and Paint

- Reinstalling the door leaf to the outer frame is the reverse of the removal. Simply position the locating pins of the door leaf into the hinges and fasten the threaded knobs.
- Paint surface with short haired roller (Fig. 7). Avoid filling visible gap (2mm) with paint.

BAUCO Plus

Drywall Access Panel with rear-mount frame and fixed hinge

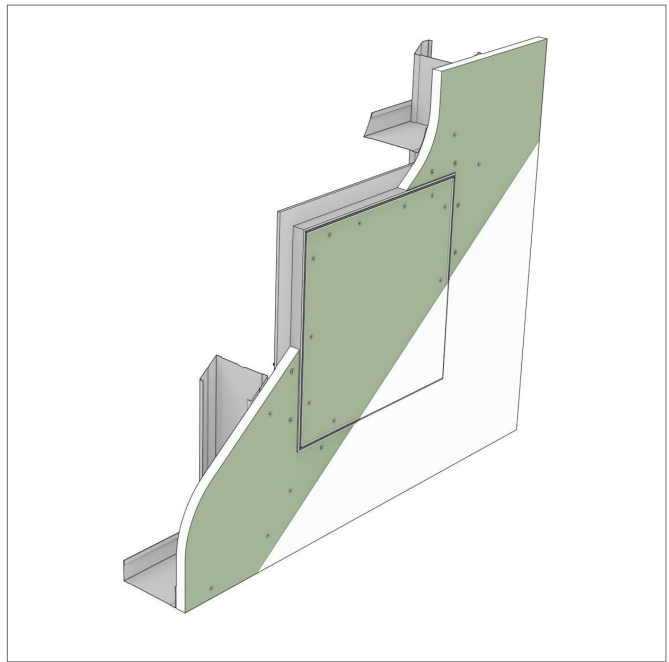


You have access problems. We have solutions.

When your project requires a compact access panel for frequent use or a hard-to-reach location like high up on a wall, the new and improved BAUCO® Plus delivers safe, convenient access to shut-off valves, plumbing connections, and more. We've got your access problems covered!

BAUCO Plus

Drywall Access Panel with rear-mount frame and fixed hinge



APPLICATIONS

- Access openings in 1/2" (12.7 mm) or 5/8" (15.9 mm) drywall walls and ceiling
- Cleanest finish possible required
- Standard and custom sizing and other customizations
- Ideal for access points that are frequently used or above reach. Fixed hinge provides ease of use and improved safety.
- Non-fire rated assemblies

DESCRIPTION

- Rear-mount frame
- Concealed frame, hardware and latch
- Factory installed drywall inlay
- Frame acts as finishing bead
- Virtually invisible continuous finish
- 1/16" perimeter gap
- Fully removable door leaf with clip action hinge release
- Fixed steel pin hinge and safety cable

SPECIFICATIONS

Materials: 6063-T6 aluminum frame with galvanized steel hardware and moisture and mold resistant drywall inlay

Latch: Concealed mechanical touch latch

Hinge: Steel single pivot pin hinge with braided steel safety cable

Door leaf: Fully removable door leaf for full access

Gasket: EPDM rubber perimeter gasket

Standard Latch

- Mechanical touch latch

Latch Options

- Keyed lock
- Cam latch (slotted or torx head)

Standard Finish

- Unfinished drywall inlay installed
- Ready to receive finish on site

Finish Option

- BAUCO Paint-ready. Factory-primed door leaf. Ready to paint.

Standard Inlay

- Moisture and mold-resistant drywall

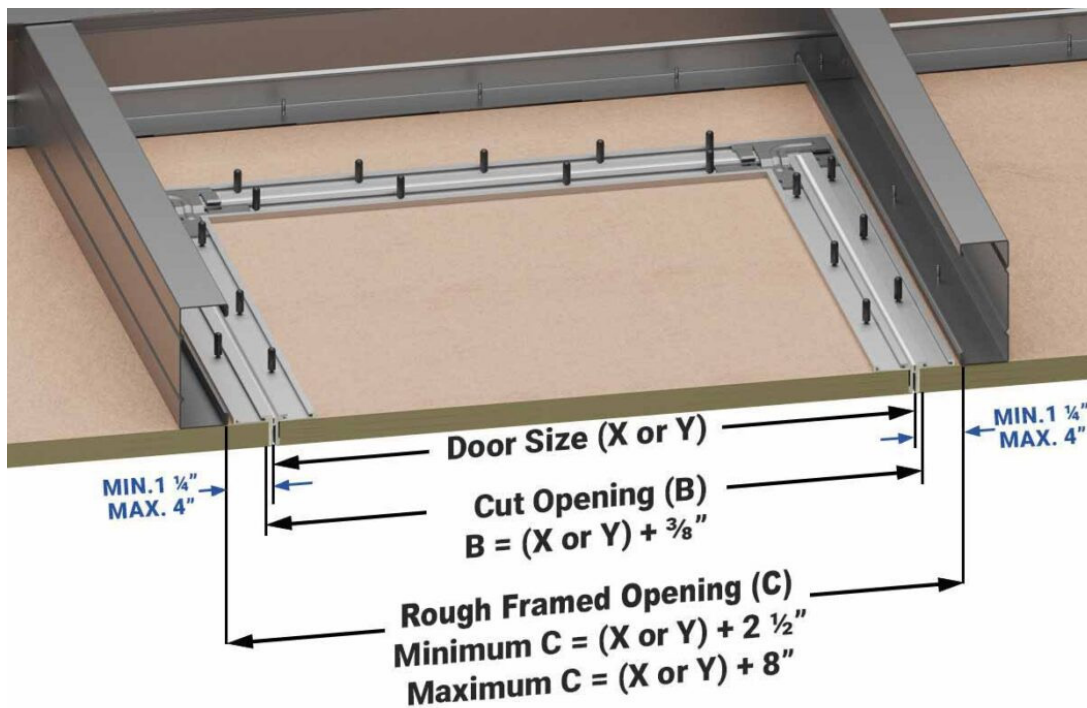
Inlay Options

- Acoustic Board
- Imperial Blue Board for plaster
- Plywood
- Double layer drywall

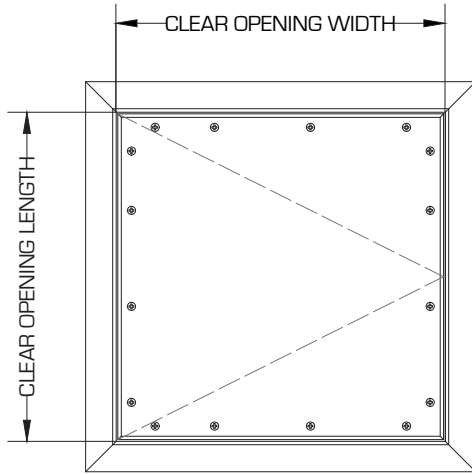
BAUCO Plus

Standard Sizes

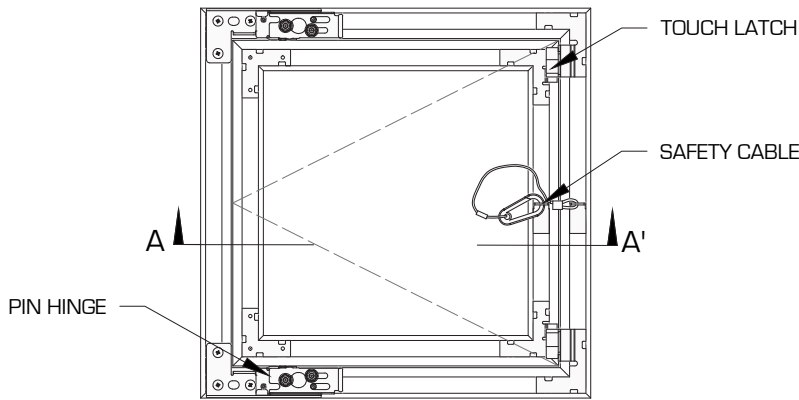
Nominal Size	Door Size (X/Y)	Cut Opening in Drywall (B)	Minimum Rough Framed Opening (C)	Weight
8 x 8"	8 x 8" (203 x 203mm)	8- ³ / ₈ " x 8- ³ / ₈ " (213 x 213mm)	10- ¹ / ₂ " x 10- ¹ / ₂ " (267 x 267mm)	3lbs (1.4kg)
10 x 10"	10 x 10" (254 x 254mm)	10- ³ / ₈ " x 10- ³ / ₈ " (264 x 264mm)	12- ¹ / ₂ " x 12- ¹ / ₂ " (318 x 318mm)	4lbs (1.8kg)
12 x 12"	12 x 12" (305 x 305mm)	12- ³ / ₈ " x 12- ³ / ₈ " (314 x 314mm)	14- ¹ / ₂ " x 14- ¹ / ₂ " (368 x 368mm)	5lbs (1.8kg)
14 x 14"	14 x 14" (356 x 356mm)	14- ³ / ₈ " x 14- ³ / ₈ " (365 x 365mm)	16- ¹ / ₂ " x 16- ¹ / ₂ " (419 x 419mm)	6lbs (2.7kg)
16 x 16"	16 x 16" (406 x 406mm)	16- ³ / ₈ " x 16- ³ / ₈ " (416 x 416mm)	18- ¹ / ₂ " x 18- ¹ / ₂ " (470 x 470mm)	7lbs (3.2kg)
18 x 18"	18 x 18" (457 x 457mm)	18- ³ / ₈ " x 18- ³ / ₈ " (467 x 467mm)	20- ¹ / ₂ " x 20- ¹ / ₂ " (521 x 521mm)	8lbs (3.6kg)
20 x 20"	20 x 20" (508 x 508mm)	20- ³ / ₈ " x 20- ³ / ₈ " (518 x 518mm)	22- ¹ / ₂ " x 22- ¹ / ₂ " (571 x 571mm)	10lbs (4.5kg)
24 x 24"	24 x 24" (610 x 610mm)	24- ³ / ₈ " x 24- ³ / ₈ " (619 x 619mm)	26- ¹ / ₂ " x 26- ¹ / ₂ " (673 x 673mm)	13lbs (5.9kg)
24 x 36"	24 x 36" (610 x 914mm)	24- ³ / ₈ " x 36- ³ / ₈ " (619 x 924mm)	26- ¹ / ₂ " x 38- ¹ / ₂ " (673 x 978mm)	18lbs (8.2kg)



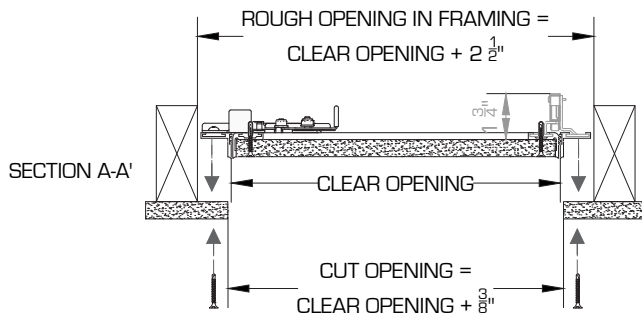
Drywall Access Panel with rear-mount frame and fixed hinge



FRONT VIEW



REAR VIEW



STANDARD FEATURES

- Rear-mount frame
- For openings in 1/2" (12.7 mm) or 5/8" (15.9 mm) drywall walls and ceiling
- Concealed aluminum frame, hardware and mechanical touch latch
- Factory installed moisture/ mold resistant drywall inlay
- Frame acts as finishing bead
- 1/16" gap between frame and door leaf
- Virtually invisible finishing
- EPDM rubber perimeter gasket
- Good sound control with seal and mass of drywall inlay
- Fully removable door leaf with clip action hinge release
- Steel single pivot pin hinge and safety cable

Standard Sizes

(Custom sizes from 8 x 8" to a maximum 24 x 36". For Larger openings use double door design or the BAUCO XL or BAUCO Plus II.)

Access Panel Size (Clear Opening)		Weight	
Inch	mm	lbs-1/2"	lbs-5/8"
8 x 8"	203 x 203mm	2.5	2.9
10 x 10"	254 x 254mm	3.1	3.8
12 x 12"	305 x 305mm	3.8	4.7
14 x 14"	356 x 356mm	4.5	5.8
16 x 16"	406 x 406mm	5.3	7
18 x 18"	457 x 457mm	6.2	8.3
20 x 20"	508 x 508mm	7.2	9.8
24 x 24"	610 x 610mm	9.4	12.9
24 x 36"	610 x 914mm	12.8	18.2

BUY DIRECT from BAUCO for best pricing and shortest lead time.

Size _____ " Width(X) x _____ " Length(Y)

Thickness

- 1/2"
- 5/8"

Application

- Wall
- Ceiling

Latch Options

- (Standard) Mechanical Touch Latch
- Slotted Cam
- Torx Cam
- Keyed Lock

Inlay Options

- (Standard) Drywall
- Acoustic Board
- Imperial Blue Board
- Plywood
- Double layer Drywall

Time Saving Option

- Paint-ready Finish (Factory-primed door leaf. Ready to paint)

Project: _____

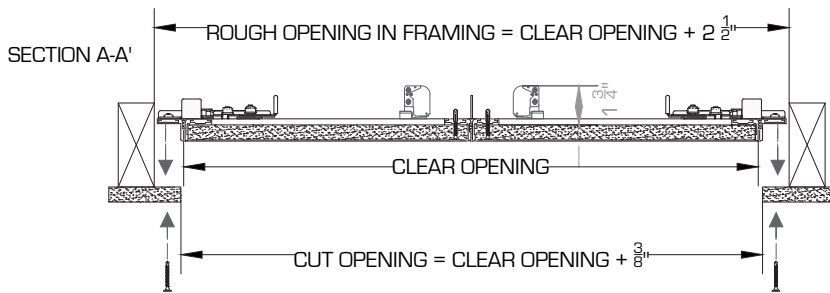
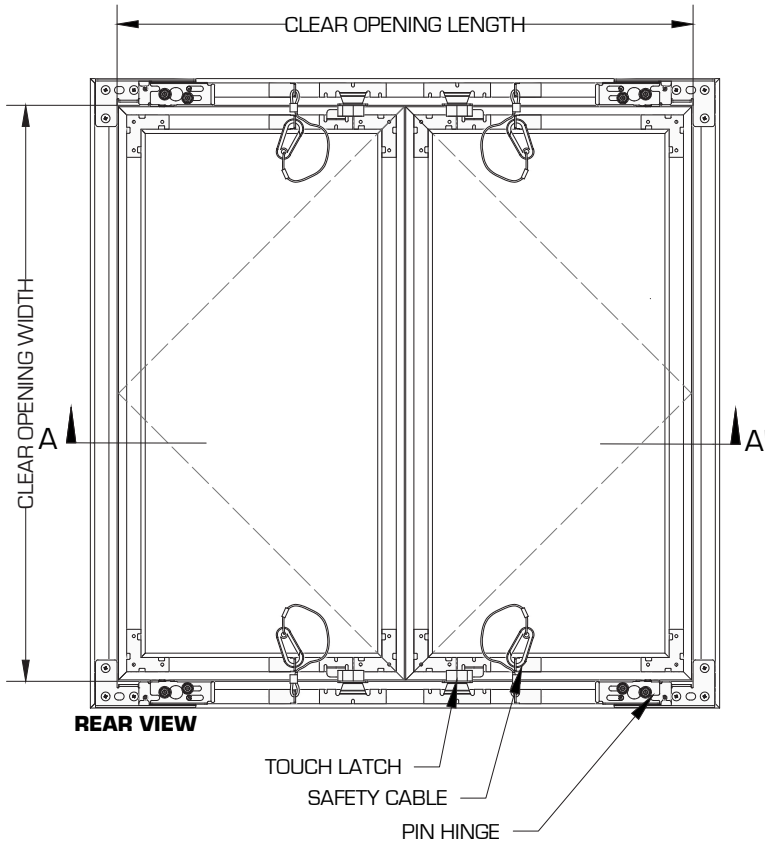
Client: _____

Approved by: _____

Date: _____



Drywall Access Panel with rear-mount frame and fixed hinge



STANDARD FEATURES

- Rear-mount frame
- For openings in 1/2" (12.7 mm) or 5/8" (15.9 mm) drywall walls and ceiling
- Concealed aluminum frame, hardware and mechanical touch latch
- Factory installed moisture/ mold resistant drywall inlay
- Frame acts as finishing bead
- 1/16" gap between frame and door leaf
- Virtually invisible finishing
- EPDM rubber perimeter gasket
- Good sound control with seal and mass of drywall inlay
- Fully removable door leaf with clip action hinge release
- Steel single pivot pin hinge and safety cable

Standard Sizes

(Custom sizes from 8 x 8" to a maximum 24 x 36". For Larger openings use double door design or the BAUCO XL or BAUCO Plus II.)

Access Panel Size (Clear Opening)		Weight	
Inch	mm	lbs-1/2"	lbs-5/8"
8 x 8"	203 x 203mm	2.5	2.9
10 x 10"	254 x 254mm	3.1	3.8
12 x 12"	305 x 305mm	3.8	4.7
14 x 14"	356 x 356mm	4.5	5.8
16 x 16"	406 x 406mm	5.3	7
18 x 18"	457 x 457mm	6.2	8.3
20 x 20"	508 x 508mm	7.2	9.8
24 x 24"	610 x 610mm	9.4	12.9
24 x 36"	610 x 914mm	12.8	18.2

BUY DIRECT from BAUCO for best pricing and shortest lead time.

Size _____ " Width(X) x _____ " Length(Y)

Thickness

- 1/2"
 5/8"

Application

- Wall
 Ceiling

Latch Options

- (Standard) Mechanical Touch Latch
 Slotted Cam
 Torx Cam
 Keyed Lock

Inlay Options

- (Standard) Drywall
 Acoustic Board
 Imperial Blue Board
 Plywood
 Double layer Drywall

Time Saving Option

- Paint-ready Finish (Factory-primed door leaf. Ready to paint)

Project: _____

Client: _____

Approved by: _____

Date: _____



1.877.592.0033 | info@bauco.com | bauco.com
834 Devonshire Road Victoria, BC, Canada V9A 4T4

BAUCO® Plus

Installation Instructions

Watch our installation video on  YouTube



SCAN ME

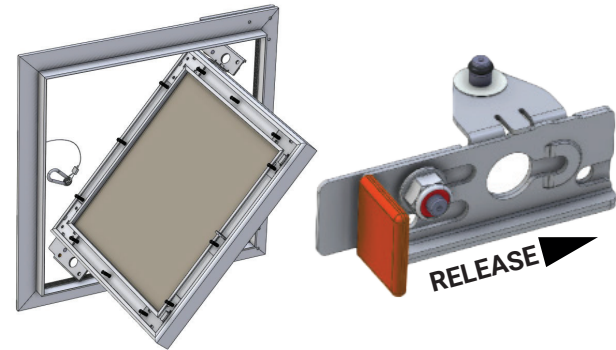
Introduction & Key Concepts - Outer Frame and Door Leaf

The **CLEAR OPENING** dimensions (clear opening in the outer frame) are used to determine the **CUT OPENING** (opening in the drywall) and the minimum **ROUGH FRAMED OPENING** (space of framing members).

The number group following the first 4 digits in the model number is the **CLEAR OPENING**. Ex: access panel with the Model Number 20-58-C-12/12 has a **12"x12"** **CLEAR OPENING**.

For trouble-free installation observe the following:

- 1 Follow the fastener placement guide and maximum 4" screw pattern.
- 2 The outer frame must be attached to the drywall square and straight.
- 3 Surrounding drywall must be rigid and flat.
- 4 Sand filler to the frame finishing edge. **DO NOT OVERFILL**.



Operation and door leaf removal

The access panel is opened by pressing on the latch side of the door leaf causing the latches to spring open. To remove the door leaf (with the access panel open) locate the two red hinge tabs and slide them towards the hinge. This will release the door leaf allowing it to be angled out of the opening. To reattach the door leaf, align the hinges with the guide tabs on the outer frame. Pull the hinge firmly into place and secure it by sliding the red hinge tab towards the center of the access panel.

Standard Installation Method – Outer Frame located after drywall

The framing members need to be positioned around the intended cut opening in the drywall to allow space for the access panel outer frame.

After drywall is installed the cut opening is made leaving a drywall lip inside the rough framed opening as shown. The access panel outer frame is then angled through the opening, positioned against the back of the drywall, and secured as shown.

Alternative methods for locating the outer frame, as well as a screw layout guide are on the next page.

Size of the **CUT OPENING** in drywall.

The **CUT OPENING** (drywall opening size) is the **CLEAR OPENING + 3/8"**

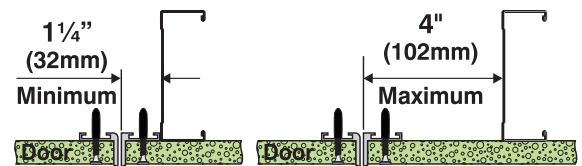
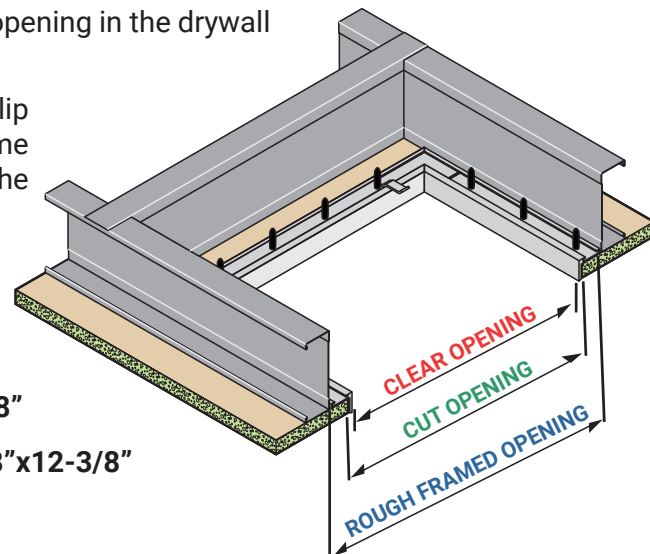
EX: A Model 20-58-C-12/12 with a **12"x12"** panel size needs a **12-3/8"x12-3/8"** cut opening in the drywall.

Size of the **ROUGH FRAMED OPENING**

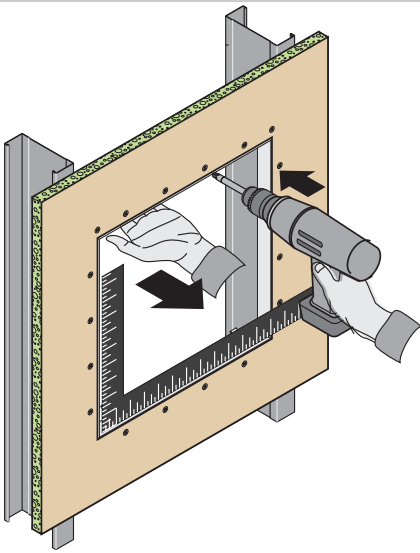
The **ROUGH FRAMED OPENING** is between **2-1/2"** and **8"** larger than the **CLEAR OPENING**.

The access panel does not need to be centered relative to the framing however must be within **4"** and at least **1-1/4"** from surrounding framing.

EX: For Model 20-58-C-12/12 with a **12"x12"** door size, the minimum **ROUGH FRAMED OPENING** needs a **14-1/2"** with **1-1/4"** on each side. The maximum spacing is **20"** with **4"** on either side of the **CLEAR OPENING**.

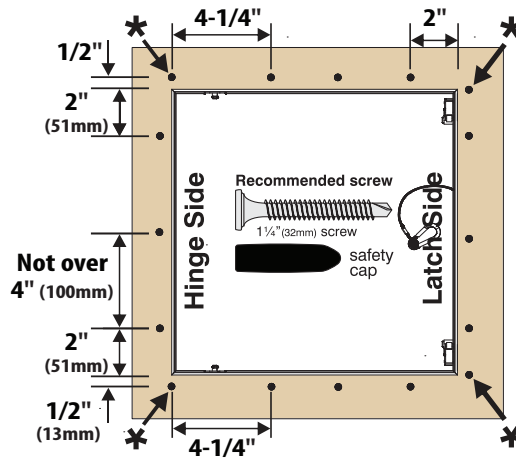


Frame Installation and Panel Finishing



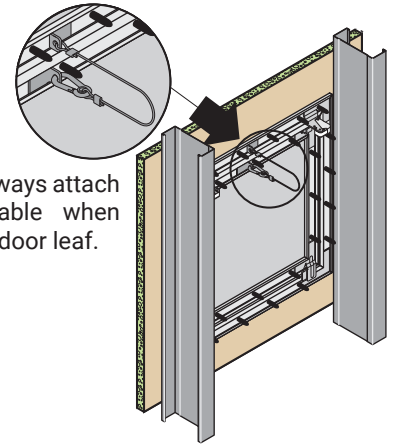
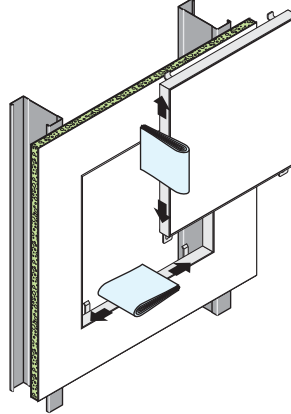
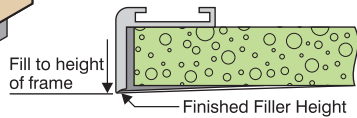
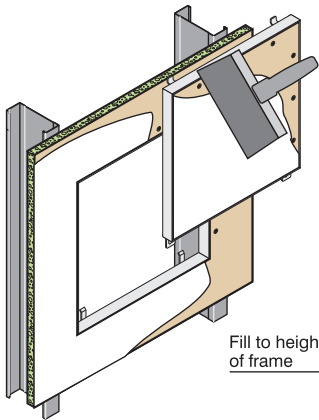
The outer frame mounts to the back of the drywall and is attached with self-drilling screws through the face of the drywall. Hold the frame securely in place while screwing.

Important fastener placement:



Extra screws must be fitted in line with the edge of the frame at the latch and hinge sides to secure hardware. Refer to the diagram shown for ideal screw placement.

Insert the door leaf and test for smooth operation without binding. Remove it and finish the drywall around the outer frame, using the raised edge as a guide. Apply a setting compound for the first coat and sand until the frame is flush with the surface. Finish the door leaf similarly, cleaning off any excess mud or dust before reinserting it. You can paint the panel in place, but avoid excess paint bridging the gaps around it.



NOTE: Always attach safety cable when inserting door leaf.

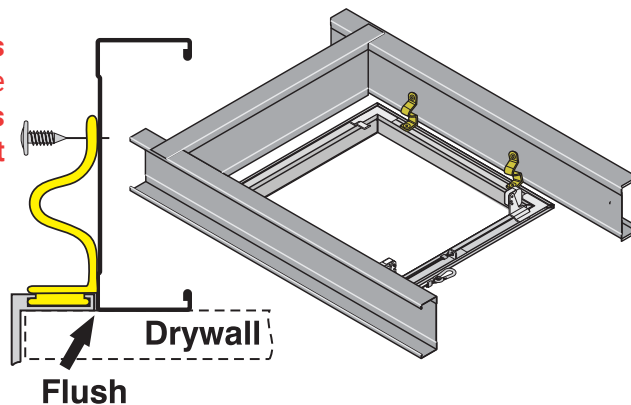
Alternative Installation Methods

A Before Drywall Installation

The panel outer frame can be hung in the rough framed opening before the drywall is in place by using Temporary Frame Hangers. Temporary Frame Hangers twist into the outer frame and are then attached to surrounding framework.

These are temporary hangers only for roughly locating the frame during boarding. **This is not a permanent attachment system.**

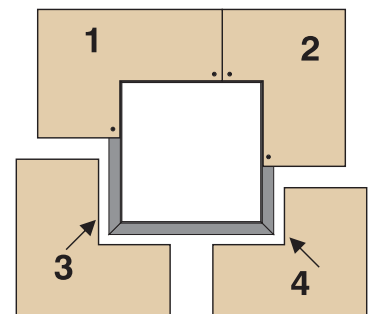
After the drywall is in place, the frame MUST be secured to drywall following the fastener placement above.



B During Drywall Installation

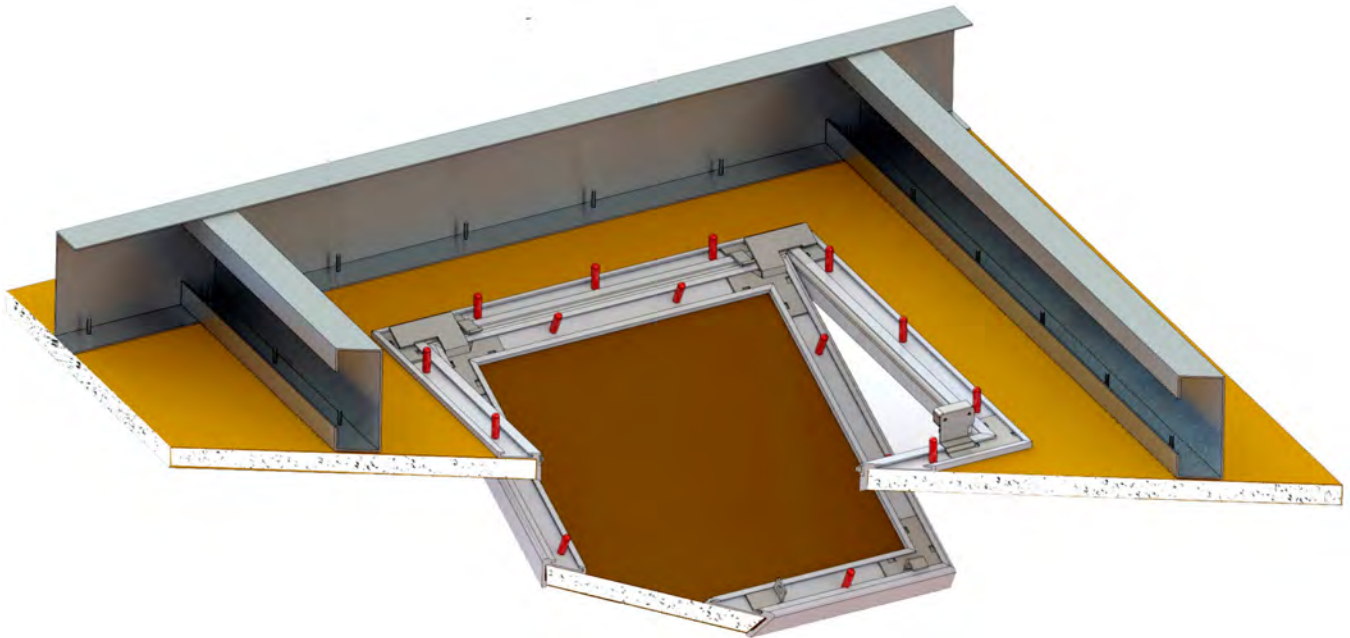
The access panel outer frame can be located resting on the back of the drywall **as the drywall is being installed**. If possible, avoid putting joints at the corners. **The frame must be attached as shown above.**

OR



BAUCO®

Product Specification Guide



BAUCO Access Panel Solutions, Inc.
834 Devonshire Road
Victoria, BC, Canada V9A 4T4
Toll Free (877) 592-0033
Phone (250) 592-0033
Web Site www.bauco.com
Email info@bauco.com

Product Specification Guide

Specifier Notes: This product guide specification is written according to the Construction Specifications Institute (CSI) Format, including *MasterFormat*, *SectionFormat*, and *PageFormat*, contained in the *CSI Manual of Practice*.

The section must be carefully reviewed and edited by the Architect to meet the requirements of the project and local building code. Coordinate this section with other specification sections and the drawings.

Delete all "Specifier Notes" when editing this section.

ACCESS DOORS AND FRAMES

Specifier Notes: This section covers five products manufactured by BAUCO Access Panel Solutions Inc., including four models of virtually invisible drywall inlay access doors/panels:

- BAUCO Plus II
- BAUCO XL
- BAUCO Plus
- BAUCO Rondo

And one model of removable air-return grilles that can function as access panel:

- BAUCO Air

(Bauco Air can be installed independently in drywall walls or ceilings or can be factory installed in drywall access panel door leaf.)

Consult BAUCO Access Panel Solutions Inc. for assistance in editing this section for your specific application.

PART 1: GENERAL

1.1 RELATED DOCUMENTS

Drawings and general provisions of the contract, including supplementary conditions and Division 1 specification sections, apply to this section.

1.2 SUMMARY

SECTION 083100 - Access Doors and Frames includes access panels and frames for the following types of installations:

- A. **Wall** access panels and frames
- B. **Ceiling** access panels and frames

1.3 RELATED SECTIONS:

Applicable related specification sections:

- A. Section 061053 - Miscellaneous Rough Carpentry
- B. Section 080000 - Door Hardware (for mortise cylinder lock)
- C. Section 092116 - Gypsum Board Assemblies.
- D. Section 092300 - Gypsum Plastering.
- E. Section 160000 - Ceiling Access Panels (for ballasts and transformers)
- F. Section 233700 - Air Outlets and Inlets

1.1 SUBMITTALS

- A. General: In accordance with conditions of Division 1 specifications

Specifier Notes:

BAUCO Plus II, BAUCO Plus, BAUCO XL, BAUCO Rondo, and BAUCO Air full resources section (including submittal documents and installation instructions) available here:

<https://bauco.com/resources/>

- B. Manufacturer's submittals documents and installation instructions.

1.2 QUALITY ASSURANCE

- A. So there shall be no division of responsibility, all access panels shall be supplied by a single manufacturer under a single contract.
- B. Obtain design professional's approval for all panel sizes that vary from the general dimensions listed in these specifications, if they are not in accordance with manufacturer's standards.

1.3 COORDINATION & RESPONSIBILITY FOR ACCESS PANELS & AIR RETURN GRILLES ON SITE

- A. Determine specific locations and sizes for access panels needed to gain access to concealed equipment & indicate on schedule specified under "submittals" article.
- B. Access panels to gain access to equipment specified in Division 15 & 16 and where panels are not shown on drawings are to be provided by the applicable subcontractor and in compliance with requirements listed in these sections.
- C. Determine specific locations and sizes for air return grilles (access panels) needed to provide return air flow and to gain access to concealed equipment & indicate on schedule specified under "submittals" article.
- D. Air return grilles to provide ventilation and access to equipment specified in Divisions 21, 22, 23, 24, 25, 26, 27 & 28. Grilles not shown on drawings are to be provided by the applicable subcontractor and in compliance with requirements listed in these sections.

1.4 DELIVERY, STORAGE AND HANDLING

- A. Package and ship in manufacturer's original, unopened containers and packaging, with labels clearly identifying product name and manufacturer.
- B. Store indoors in a dry area out of direct sunlight in compliance to manufacturer's instructions.
- C. Protect materials and finishes from damage during handling and installation.

PART 2: PRODUCTS

2.1 MANUFACTURER / DISTRIBUTOR

- A. BAUCO Access Panel Solutions, Inc.
834 Devonshire Road, Victoria, BC, V9A 4T4 Canada
Toll-Free Tel: 1-877-592-0033 or 1-250-592-0033
Toll-Free Fax: 1-877-592-7587 or 1-250-595-0513
info@Bauco.com www.Bauco.com
- B. Substitutions: Not permitted.
- C. Requests for substitutions will be considered in accordance with provisions of Section 01 60 00 - Product Requirements.

2.2 ACCESS DOORS AND FRAMES

A. Virtually Invisible Rear-Mount Recessed Drywall Access Panel for Walls or Ceilings

- Products:
 - BAUCO Plus II: Rectangular access panel with free-pivot hinge for wall or ceiling
 - BAUCO Plus: Rectangular access panel with pin hinge for wall or ceiling
 - BAUCO Rondo: Round access panel with free-pivot hinge for ceiling
- Description: Non-fire rated recessed access doors with concealed hardware and gypsum board inlay for flush installation and virtually invisible finish. Install on the rear of surrounding wallboard.
- Features:
 - 2.8mm thick aluminum inner and outer frame
 - Factory-installed, screwed-in-place gypsum board (or equivalent) door leaf inlay, to match surrounding wall or ceiling surface
 - Galvanized steel internal corner reinforcing
 - Inner and outer frame edge raised in a 0.5mm raised to accept finishing compound for a flush frame finish
 - Concealed free-pivot (or pin) hinge to allow all doors to open at least 120 degrees
 - Nylon-coated wire braid safety cable, test rated for 135lb (61kg), with crimp connections and spring snap aluminum carabineer
 - Lift-out door leaf for fully clear access opening
 - EPDM rubber gasket, in conjunction with the wall board, to maintain STC rating of surrounding wall or ceiling assembly
 - For larger panels 3/4" aluminum square tubing or steel U-channel reinforcing on back of large door leaves
 - Some large doors provided in multi-leaf formats with no bar between leaves

- Material Overview:
 - Aluminum alloy 6063-T6 frames, supports, and bracing with at least 25% post-industrial recycled content by weight
 - Moisture- and mold-resistant gypsum board inlay with at least 21% post-consumer recycled content by weight
 - Galvanized steel internal hardware with at least 50% post-industrial recycled content by weight
 - EPDM rubber gasket
- Location: **[Wall] [Ceiling] [Both wall and ceiling]**
- Assembly thickness: **[5/8" (15.9mm)] [1/2" (12.7mm)]**
- Opening size: **<Please specify>**

Specifier Notes: Sizes refer to clear opening size, which will be 2 1/2" smaller than the rough framed (stud-to-stud) opening. Custom sizes are available on short lead times, with the following restrictions:
 BAUCO Plus II: 6" minimum (height or width); no maximum size.
 BAUCO Plus: 8" minimum (height or width); 36" maximum (height); 24" maximum (width) per leaf maximum (double-leaf available)
 BAUCO Rondo: 12", 18", or 24" diameter; no custom sizes available

- Inlay: Furnish access door with factory-installed inlay. **[Moisture- and mold-resistant gypsum board - Standard] [Acoustic gypsum board] [Tilebacker gypsum board] [Cement board] [Plywood] [Other - Please confirm with manufacturer]**. Access door inlay shall equal surrounding substrate specifications to ensure acoustic integrity and flush finish.
- Latch: **[Concealed mechanical touch latches - Standard] [Slotted cam latch] [Tamper-resistant torx cam latch] [Concealed mechanical touch latches and keyed-alike cylinder lock] [Concealed mechanical touch latch and slotted cam latch] [Concealed mechanical touch latch and tamper-resistant torx cam latch]**
- Integrated air return grille option: BAUCO Air grille core at **<Please specify grille height, width, and placement in door>**
- Framing: For a proper fit between framing members the rough framed opening will be 2 1/2" greater than clear opening size. This 2 1/2" allowance provides the door frame size 1 1/8" plus 1/8" allowance on all sides of the panel.
- Finish: Installers shall apply the same finish and paint to door leaf as the surrounding surfaces. When installed and finished the access panel shall be flush with the wall or ceiling surface and only a one sixteenth of an inch shadow gap shall be visible. For best results, setting-type gypsum finishing compound is recommended. Apply compound separately to the door leaf and surrounding wall or ceiling area up to recessed access panel frame. No taping required.

B. Virtually Invisible Front-Mounting Recessed Drywall Access Panels

- Products:
 - BAUCO XL

Specifier Notes: BAUCO XL access panels are recommended for large wall openings, but are also compatible with ceiling installation where a front-mounting access panel is desired. BAUCO Plus II access panels are recommended in most cases for ceiling installation.

- Description: Heavy-duty non-fire rated recessed access doors with concealed hardware and gypsum board inlay for flush installation and virtually invisible finish. Install on the front of surrounding wallboard.
- Features:
 - 2.8mm thick aluminum inner and outer frame
 - Front-mounting aluminum frame provides solidly integrated finishing bead with countersunk holes to receive fastener heads
 - Factory-installed, screwed-in-place gypsum board (or equivalent) door leaf inlay, to match surrounding wall or ceiling surface
 - Galvanized steel internal corner reinforcing
 - Inner and outer frame edge raised in a 0.5mm to accept finishing compound for a flush frame finish.
 - Outer drywall finishing flange with a bead to prevent cracking or damage and ensuring a straight, smooth finish.
 - Concealed hinge made of heavy-duty, galvanized steel components with variable pivot point in double track to allow all doors to open 105 degrees
 - Nylon-coated wire braid safety cable, test rated for 135lb (61kg), with crimp connections and spring snap aluminum carabineer
 - Lift-out door leaf for fully clear access opening
 - Closed-cell foam-filled rubber gasket to maintain STC rating of surrounding wall or ceiling assembly
 - Aluminum tube or steel U-channel reinforcing on back of door leaves
 - Large doors provided in multi-leaf formats with no bar between leaves
- Material Overview:
 - Extruded aluminum alloy 6063-T6 frames, supports, and bracing with at least 25% post-industrial recycled content by weight
 - Moisture- and mold-resistant gypsum board inlay with at least 21% post-consumer recycled content by weight
 - Galvanized internal steel hardware with at least 50% post-industrial recycled content by weight
 - Closed-cell foam-filled rubber gaskets
- Inlay: **[Standard moisture and mold-resistant gypsum board] [Acoustic gypsum board] [Tilebacker gypsum board] [Cement board] [Plywood] [Other – Please confirm with manufacturer].**

Access panel inlay shall equal surrounding substrate specifications to ensure acoustic integrity and flush finish.

- Location: **[Wall] [Ceiling] [Both wall and ceiling]**
- Assembly thickness: Face-mounting 5/8" (15.9mm) thick access door sits flush with wall or ceiling assemblies of any thickness.
- Opening size: **<Please specify>**

Specifier Notes: Sizes refer to clear opening size, which will be 1 1/4" smaller than the rough framed (stud-to-stud) opening. Custom sizes are available on short lead times, with the following restrictions:

BAUCO XL: 24" x 36" minimum; 22 ft. sq. per leaf maximum (double-leaf available)

- Factory finish: **[Unfinished door leaf] [BAUCO Paintready option]**
- Latch: **[Concealed mechanical touch latches (Standard)] [Slotted cam latch] [Tamper-resistant torx cam latch] [Concealed mechanical touch latches and keyed-alike cylinder lock] [Concealed mechanical touch latch and slotted cam latch] [Concealed mechanical touch latch and tamper-resistant torx cam latch]**
- Integrated air return grille option: BAUCO Air grille core at **<Please specify grille height, width, and placement in door>**
- Framing: For a proper fit the rough framed opening will be 1 1/4" greater than clear opening size. This additional 1 1/4" provides for two times the door frame size thickness plus 1/16" allowance on all sides of the panel.
- Finish: Installers shall apply the same finish and paint to door leaf as the surrounding surfaces. When installed and finished the access panel shall be completely flush with the wall or ceiling surface and only a 5/64" (2 mm) shadow gap shall be visible. BAUCO XL access panels require finishing using common trade tools. For best results a setting-type gypsum finishing compound is recommended. Apply compound separately to the door leaf up to trim leading edge and to the finishing bead along the door frame.

C. Flush Sheet-Metal Access Panels:

- Products:
 - BAUCO Softline
- Description: Non-fire rated flush sheet-metal access doors with soft transition frames for wall or ceiling
- Features:
 - 20 gauge galvanized sheet metal door and frame
 - Visible, low profile flange frame only 1.8 mm above finished wall or ceiling surface, with soft transition frame edge and no visible joints or welds

- Concealed pin hinge, reversible for right- or left-hand hinging
- Fully removable door
- 4 concealed adjustable wall anchor tabs with prepunched holes for fasteners
- Material Overview:
 - Galvanized steel hardware with at least 50% post-industrial recycled content by weight
- Latch: **[Concealed mechanical touch latches - Standard]**
[Concealed mechanical touch latches and keyed-alike cylinder lock]
- Location: **[Wall] [Ceiling] [Both wall and ceiling]**
- Opening size: **<Please specify>**

Specifier Notes: Custom sizes are available on orders over 100 pcs. See the list of standard sizes on the manufacturer's website here:

Bauco.com/products/BAUCO-softline/

- Framing: For a proper fit, the rough framed opening will be 1/4" greater than product code sizing.
- Finish: Powder coat painted white (RAL 9016).

D. Air-Return Grilles to Function as Access Panels

Specifier Notes: BAUCO Air air-return grilles can be integrated into any drywall surface. This includes the face of access panels with drywall inlay, such as BAUCO Plus II and BAUCO XL models. As the grille core is fully removable, BAUCO Air can function as an access panel on its own, if required.

- Product:
 - BAUCO Air
- Description: Recessed architectural air-return grilles with removable grille core and concealed hardware for flush installation in drywall.
- Features:
 - 2.8mm thick aluminum outer frame
 - Galvanized steel internal corner reinforcing
 - Outer frame edge raised in a 0.5mm meniscus rise to accept finishing compound for near invisible flush frame finish
 - Linear bar grille core fabricated in 2.8mm thick extruded aluminum alloy 6063-T6
 - Vanes angled down at 49 degrees
 - Free area of 48% and 25/64" between vanes
 - Concealed, galvanized steel free pivot hinge shall allow all doors to open 120 degrees
 - Removable, dishwasher-safe grille core for full access and easy cleaning

- Ceiling configuration grille provided with nylon-coated wire braid safety cable, test rated for 135lb (61kg), with crimp connections and spring snap aluminum carabineer
- Material Overview:
 - Extruded aluminum alloy 6063-T6 frames, supports, and bracing with at least 25% post-industrial recycled content by weight
 - Galvanized internal steel hardware with at least 50% post-industrial recycled content by weight
- Vane finish: **[mill finish] [anodized] [white powder coat] [colored powder coat – consult manufacturer for availability]** finish.
- Latch: **[Concealed mechanical touch latches] [Fixed attachment with machine screws]**
- Location: **[Wall] [Ceiling] [Both wall and ceiling]**
- Assembly thickness: **[5/8" (mm)] [1/2" (mm)]**
- Opening size: **<Please specify>**

Specifier Notes: Custom sizes are available on short lead times, with the following restrictions:
 BAUCO Air: 6" minimum (height or width); 48" maximum (height or width)

- Framing: For a proper fit between framing members the rough framed opening will be 2 1/2" greater than product code sizing. This 2 1/2" allowance provides the door frame size 1 1/8" plus 1/8" allowance on all sides of the grille.
- Finish: When installed and finished the access panel shall be completely flush with the wall or ceiling surface and only a 5/64" (2 mm) shadow gap shall be visible. BAUCO Air access panels require finishing around the concealed frame using common trade tools. No taping required.

2.3 FABRICATION

- A. Manufacture each access panel and grille assembly as an integral unit ready for site installation.
- B. Furnish number of latches required to hold door or grille flush for a smooth uniform panel appearance when closed.
- C. Larger sizes bracing will be added to add rigidity and/or prevent sagging.
- D. Supply rear of panel door with acoustic treatment when specified.
- E. Provide installation instructions with each access panel and grille.
- F. Back of panel label indicating product model and size.

PART 3: EXECUTION

3.1 EXAMINATION

- A. Examine areas to receive access doors or grilles. Notify Architect if areas are not acceptable. Do not begin installation until unacceptable conditions have been corrected.

3.2 PREPARATION

- A. Advise installers of work relating to access panel installation including rigidity and dimensions of rough opening, frame attachment to drywall and the location of screw fasteners, and filler requirements Coordinate delivery with other work to avoid delay.

3.3 INSTALLATION

- A. Locate access panels for proper access to concealed equipment requiring access.
- B. Prepare the framing and drywall substrate according to the [manufacturer's installation guidelines](#)
- C. Anchor outer frames securely in place with enough fasteners precisely located.
- D. Ensure filler compound does not remain beyond height of outer and door leaf frames.

3.4 ADJUST AND CLEAN

- A. Adjust panel after installation for proper operation. Remove drywall compound from hinge, frame and door leaf edge. Clean the frame and door with a damp cloth.
- B. Remove and replace panels or frames that are warped, bowed, or damaged.

3.5 TECHNICAL SUPPORT

- A. BAUCO Access Panel Solutions, Inc.
834 Devonshire Road, Victoria, BC, V9A 4T4 Canada
Toll-Free Tel: 1-877-592-0033 or 1-250-592-0033
info@Bauco.com www.Bauco.com
- B. Additional information and resources from manufacturer including product info sheets, submittal sheets, and installation videos can be found [here](#).

END OF SECTION