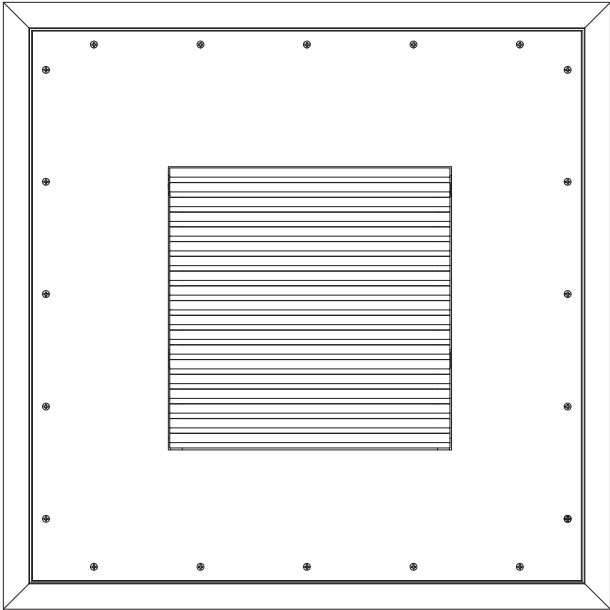


BAUCO[®] air

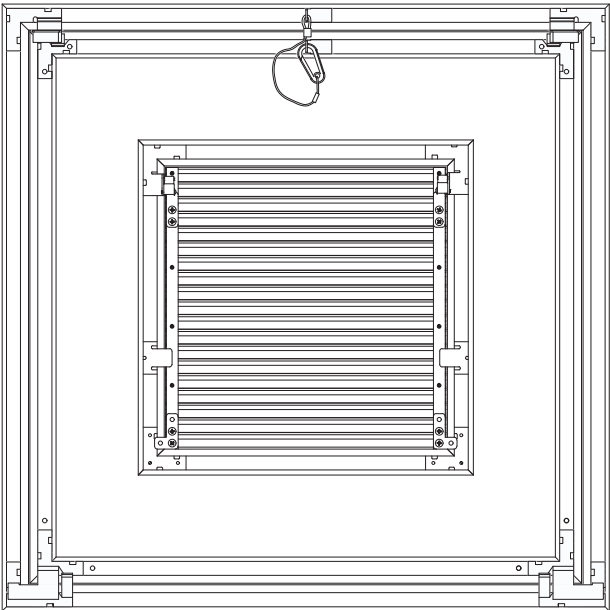
Clean Air Return Grille



BAUCO[®] air return grill integrated into BAUCO[®] plus II architectural access panel



FRONT



REAR

*Integrate clean ventilation grilles flush with your finishes.
Customize air return openings to fit with your designs.*

BAUCO® air

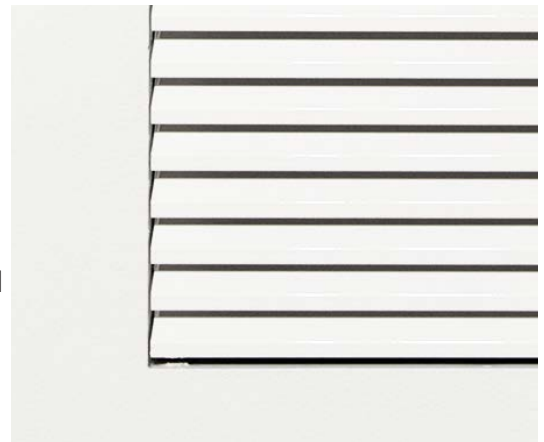
ARCHITECTURAL AIR RETURN GRILLE DESIGNED FOR DRYWALL



Clean and efficient air return grilles are integrated into our drywall access panels (**BAUCO® plus II**, **BAUCO® rondo**, **BAUCO® plus**), but these grilles also install into any GWB surface. Grilles are fitted into the drywall to be frameless and flush with the surface. Use in 1/2" or 5/8" drywall. Unique trim assembly allows for easy and clean finishing of the surrounding surface. Concealed hinge and touch latch mechanism lets you remove the grille core for cleaning without any tools

BENEFITS FOR YOU

- Minimalist, frameless detailing, flush with the surface
- Easily removable grille core for cleaning and filter changes
- Filters can be attached to back of grille (supplied by others)
- Wall and ceiling configuration possible
- No separate openings required for air return and access panel
- Customize your grille in shape, size, and colour



CORE DESIGN

Linear bar grilles feature precision heavy duty aluminum construction for clean, crisp styling and efficient air return. Vanes are angled at 49 degrees. Free area is 48%. Grille cores can be removed independently of the access panel door leaf. Available in anodized and powder coat finishes. Standard colour is white. Custom colours on request. Please Inquire!

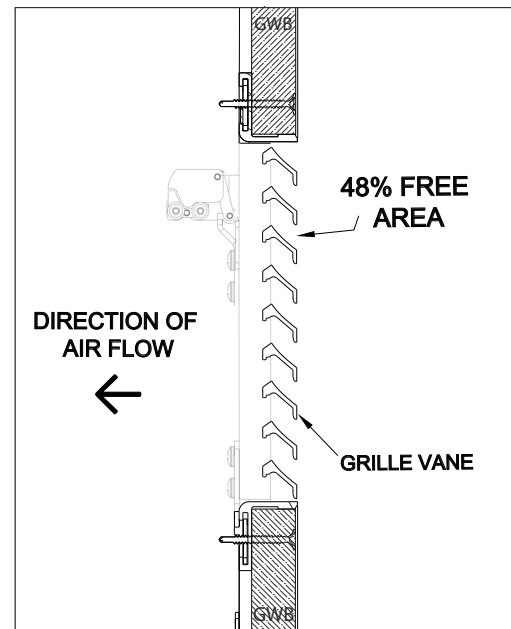


BAUCO® air

ARCHITECTURAL AIR RETURN GRILLE DESIGNED FOR DRYWALL

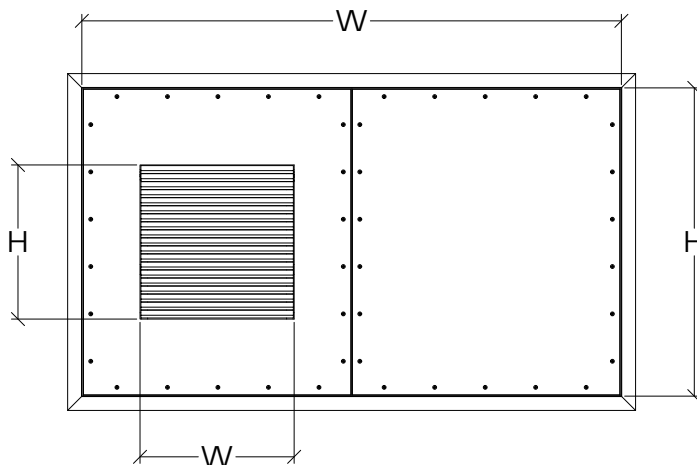
AIR FLOW

- Free area is 48%
- Designed as an air return grille
- No factory ducting available
- Filters can be attached to back of grille frame with coil-spring fasteners

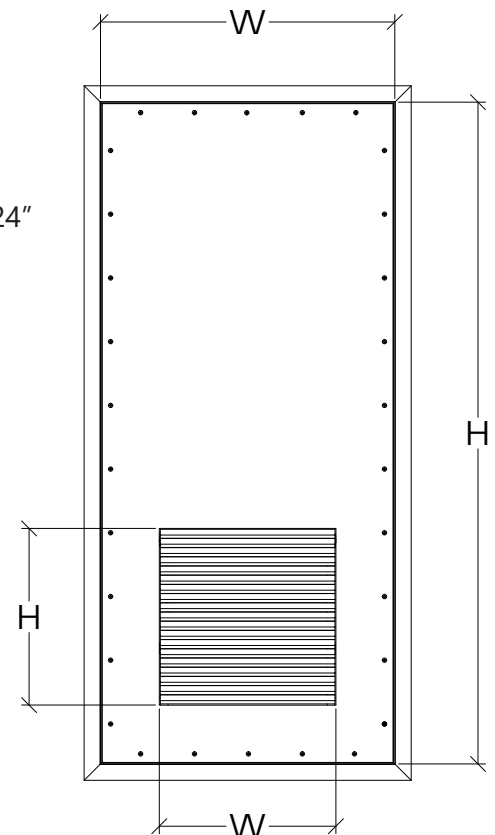


COMMON CONFIGURATIONS

- **BAUCO® air** grilles integrate with a variety of standard and customized **BAUCO® plus II** access panels
- Common door sizes for access to vertical Air Conditione (VTAC) units are 48" x 48", 54" x 26", 58" x 30" with an integrated **BAUCO® air** grille of 20" x 20"
- Common sizes for access to ceiling HVAC units are: access panel 60" x 24" or 63" x 35" with an integrated grille from 20" x 20" to 24" x 24"
- **BAUCO® air** can be customized to meet your requirement, including custom colours



Two leaf ceiling access panel with **BAUCO® air**



Vertical access panel with **BAUCO® air**

BAUCO® air

ARCHITECTURAL AIR RETURN GRILLE DESIGNED FOR DRYWALL

GRILLE CORE SIZES

- Stock sizes available: 12 x 12", 16 x 16", 20 x 20"
- Custom sizes up to 48" in width and 48" in height
- Nominal vs actual sizes, see table

This new design replaces previous grille cores

NOMINAL HEIGHT (IN)	ACTUAL HEIGHT (IN)
5	5.125
6	5.75
6.5	6.375
7	7
7.5	7.625
8/8.5	8.25
9	8.875
9.5	9.5
10	10.125
10.5/11	10.75
11.5	11.375
12	12

NOMINAL HEIGHT (IN)	ACTUAL HEIGHT (IN)
12.5	12.625
13/13.5	13.25
14	13.875
14.5	14.5
15	15.125
15.5/16	15.75
16.5	16.375
17	17
17.5	17.625
18/18.5	18.25
19	18.875
19.5	19.5

NOMINAL HEIGHT (IN)	ACTUAL HEIGHT (IN)
20	20.125
20.5/21	20.75
21.5	21.375
22	22
22.5	22.625
23/23.5	23.25
24	23.875
24.5	24.5
25	25.125
25.5/26	25.75
26.5	26.375
27	27

NOMINAL HEIGHT (IN)	ACTUAL HEIGHT (IN)
27.5	27.625
28/28.5	28.25
29	28.875
29.5	29.5
30	30.125
30.5	30.75
31/31.5	31.375
32	32
32.5	32.625
33/33.5	33.25
34	33.875

NOMINAL HEIGHT (IN)	ACTUAL HEIGHT (IN)
34.5	34.5
35	35.125
35.5	35.75
36/36.5	36.375
37	37
37.5	37.625
38/38.5	38.25
39	38.875
39.5	39.5
40	40.125
40.5	40.75

NOMINAL HEIGHT (IN)	ACTUAL HEIGHT (IN)
41/41.5	41.375
42	42
42.5	42.625
43/43.5	43.25
44	43.875
44.5	44.5
45	45.125
45.5	45.75
46/46.5	46.375
47	47
47.5/48	47.625

BAUCO® air

GRILLE CORE REMOVAL AND FINISHING INSTRUCTIONS

Finishing around the grilles in access panels and other drywall surfaces:

- Remove the grille core
- Finish the access panel with gypsum compound
- Paint
- Reinsert grille core

REMOVE GRILLE CORE

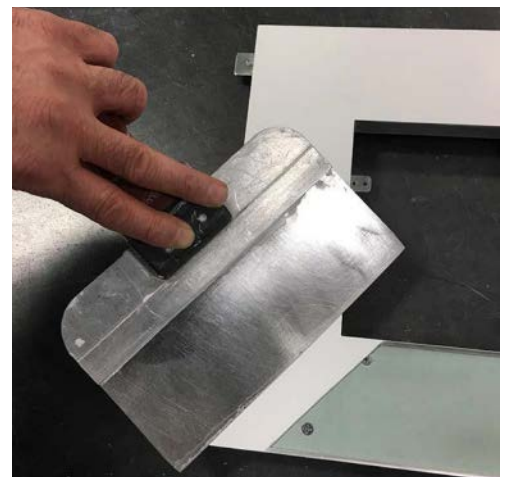
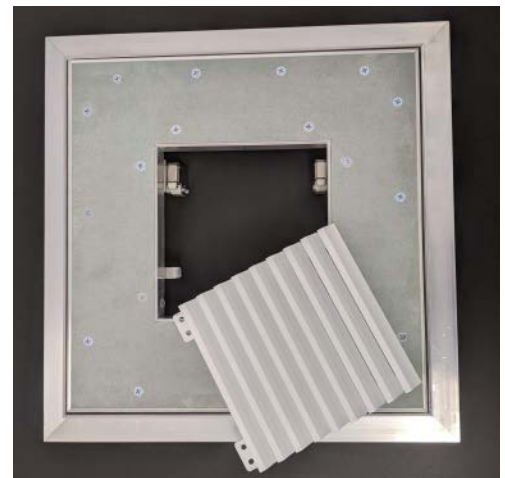
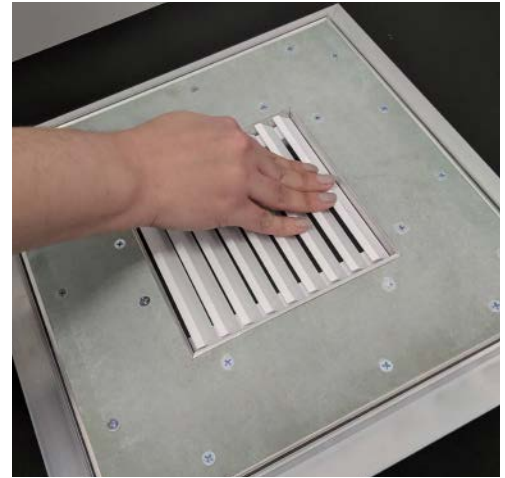
To finish an access panel with **BAUCO® air** grille you will need to remove the grille core from the door leaf. Press firmly on the top edge of the grille to release the concealed spring latches. The grille will tilt forward. Lift it upwards and angle it out of the opening. Set aside.

FINISH DOOR LEAF

Apply filler compound to the door leaf up to the height of the top of the panel and grille aluminum frame.

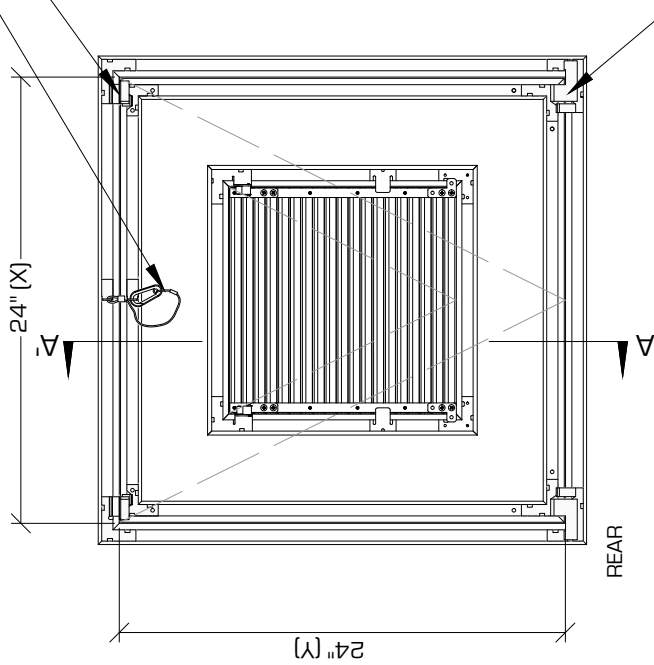
Sand and repeat until desired finish level.

To reinstall grille core into the opening, fit bottom of grille (flat steel hardware) into the opening. Press opposite side firmly into the opening to engage concealed spring touch latches.



BAUCO PLUS II SINGLE LEAF CEILING ACCESS PANEL W/ BAUCO AIR GRILLE - 20-58-C-2424-TL - BAV-1212-A

SAFETY
CABLE
TOUCH
LATCH



BAUCO PLUS II

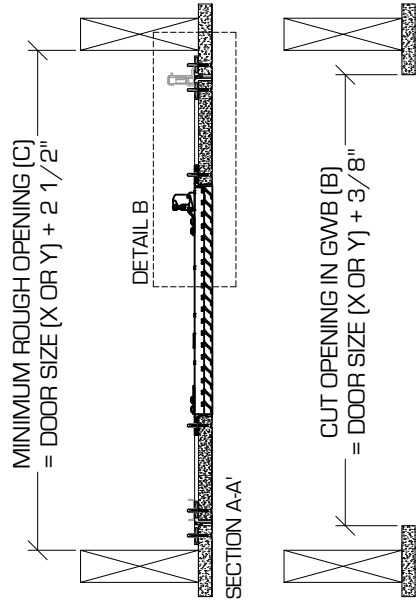
- FOR USE IN:
- ASSEMBLIES CLAD IN 5/8" (16mm) GYPSUM WALLBOARD
 - NEW CONSTRUCTION OR REPAIRS
 - ROUGH OPENINGS IN GWB WITHOUT ABUTTING STRUCTURES

STANDARD FEATURES:

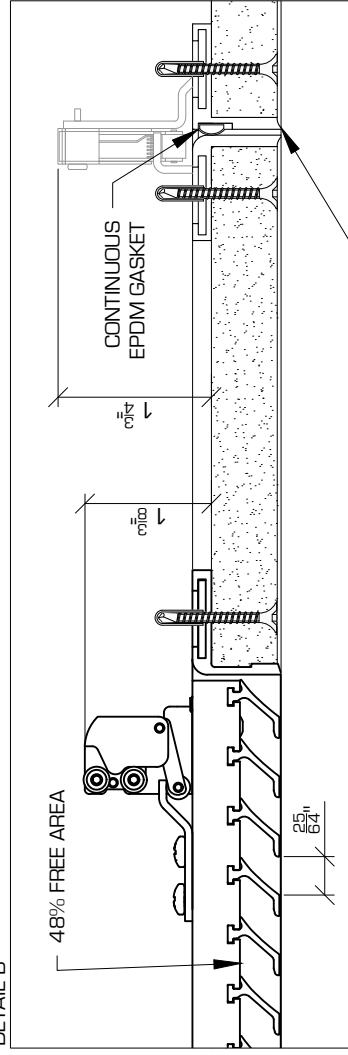
- RECESSED ALUMINUM EXTRUSIONS WITH FRAME ACTING AS FINISHING EDGE
- 1/16" (2mm) GAP BETWEEN FRAME AND DOOR
- STRONG CONCEALED ALUMINUM FRAME AND HARDWARE
- EPDM RUBBER GASKET
- CONCEALED MECHANICAL TOUCH-LATCH STANDARD (OTHER LATCH OPTIONS AVAILABLE)
- MOISTURE/MOLD RESISTANT GWB INLAY
- FREE PIVOTING HINGE
- DOOR CAN BE REMOVED FOR MAXIMUM CLEARANCE

BAUCO AIR

- SIMPLE AND MODERN RETURN AIR GRILLES WITH FULL SERVICE ACCESS
- UNIQUE TRIM ASSEMBLY ALLOWS FOR EASY FINISHING
- FINISHED GRILLE APPEARANCE IS FRAMELESS
- GRILLE MAY BE EASILY REMOVED WITHOUT TOOLS
- CLEAR ANODIZING OR POWDER COATED FINISH OF VANES
- 48% FREE AREA
- VANE DEFLECTION 49°



DETAIL B



BAUCO® plus II
with **BAUCO® air** ARCHITECTURAL ACCESS PANEL WITH INTEGRATED RETURN AIR GRILLE