

BAUCO® Plus II

Installation Instructions

For Multi Leaf Access Panels

Watch our installation video on  YouTube

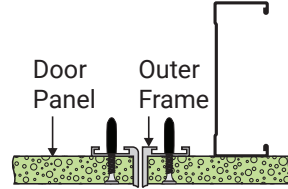
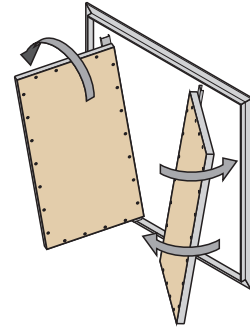


SCAN ME

Introduction & Key Concepts - Access Panel Outer Frame

The access panel outer frame mounts to the back of the drywall and is attached with self-drilling drywall screws through the face of the drywall. The dimensions of the **CLEAR OPENING** of the outer frame are used to determine the **CUT OPENING** (opening in the drywall) and the minimum **ROUGH FRAMED OPENING** (spacing of framing members).

The number group following the first 4 digits in the model number is the clear opening dimensions. Ex: access panel with the Model Number 20-58-48/42 has a **48" x 42" CLEAR OPENING**.



NOTE: Remove the door leaves from the outer frame to begin the installation. The door leaf is opened by pressing on the latch side. When released, the panel springs open. Angle the door leaf in order to pass each through the outer frame.

For trouble-free installation observe the following:

1 The access panel outer frame must be screwed to the drywall every 4" or less with more precise attachment at the corners and through the base of all latch brackets.

2 The outer frame must be attached to the drywall square and straight. The unsecured outer frame is flexible, ensure it is mounted straight.

3 The wall or ceiling must be rigid. Wall or ceiling framing must ensure no flex or movement in drywall.

4 The top edge of the outer frame and the door leaf frame are the finished height of the filler compound. Sand down to the frame. **DO NOT OVERFILL.**

Standard Installation Method - Outer Frame located after drywall

The framing members need to be positioned around the intended cut opening in the drywall to allow space for the access panel outer frame.

After drywall is installed the **CUT OPENING** is made leaving a drywall lip inside the rough framed opening as shown. The access panel outer frame is then angled through the opening, positioned against the back of the drywall, and secured as shown.

Alternative methods for locating the outer frame, as well as a screw layout guide are on the next page.

Size of the **CUT OPENING** in drywall.

The **CUT OPENING** (drywall opening size) is the **CLEAR OPENING + 3/8"**

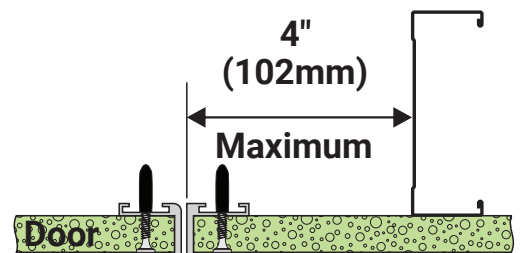
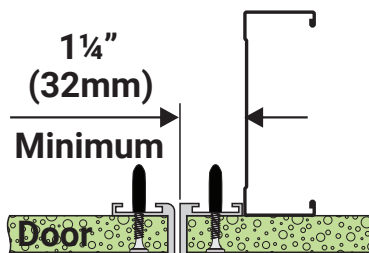
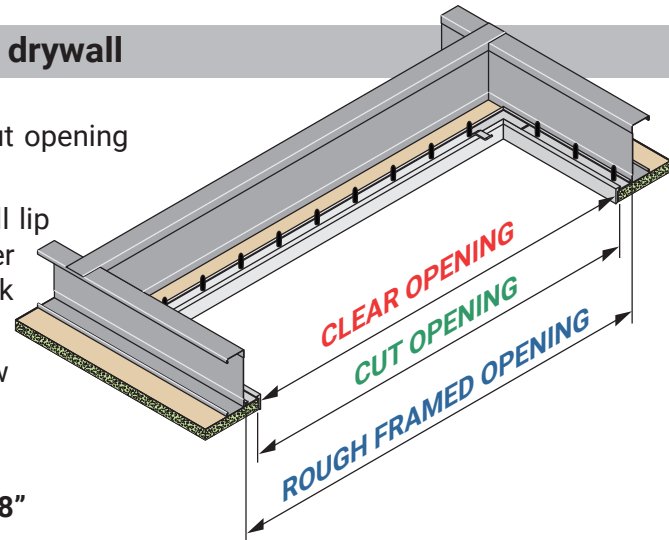
EX: A Model 20-58-24/36-2 has a **24"x36" CLEAR OPENING** needs a **24-3/8"x-36-3/8" CUT OPENING** in the drywall.

Size of the **ROUGH FRAMED OPENING**

The **ROUGH FRAMED OPENING** is between **2-1/2"** and **8"** larger than the **CLEAR OPENING**

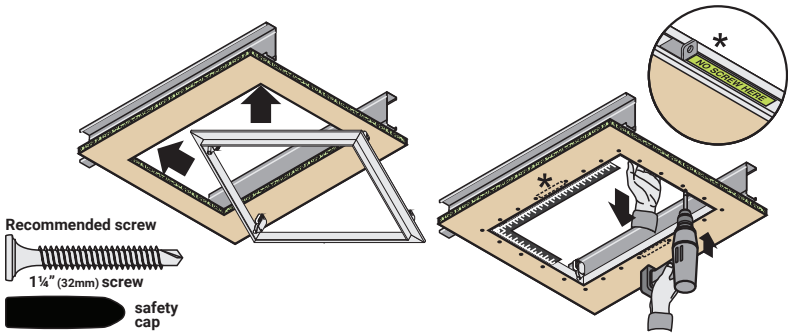
The access panel does not need to be centered relative to the framing however must be within **4"** and at least **1-1/4"** from surrounding framing.

EX: For a model 20-58-60/30-2 with a **60" x 30" CLEAR OPENING**: The minimum spacing of the framing members is **62½" x 32½"**.

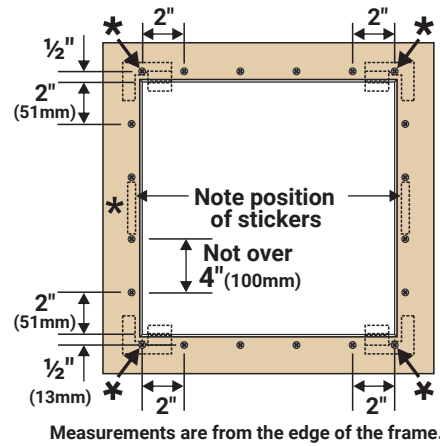


Frame Installation and Panel Finishing

Pass the outer frame through the **CUT OPENING** into position so it rests on back of drywall lip. **Ensure the frame is straight and square.** Screw through the drywall into the outer frame of the access panel. **Correct fastener spacing must be followed.**

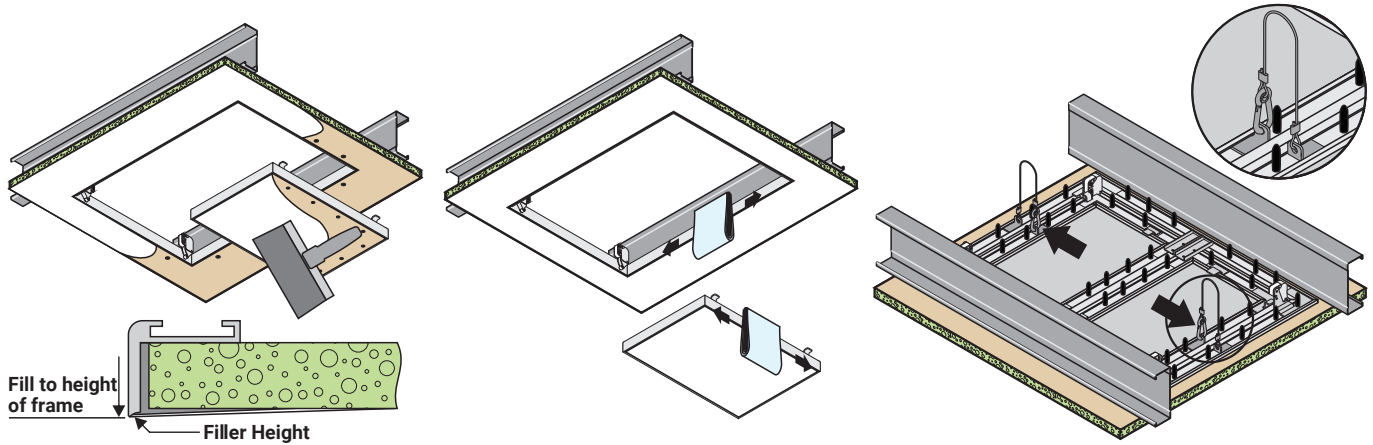


Important fastener placement:



At the latch side only, a screw should be fitted in line with the edge of the frame. It will go through the steel corner brackets. If multiple latches, place fasteners through the base of all latch brackets.

Insert the door leaves and test for smooth operation without binding. Remove them and finish the drywall around the outer frame, using the raised edge as a guide. Apply a setting compound for the first coat and sand to the top of the access panel finishing edge. Finish the door leaf similarly, cleaning off any excess mud or dust before reinserting it. Paint with the door leaves in place, but avoid excess paint bridging the access panel gap.



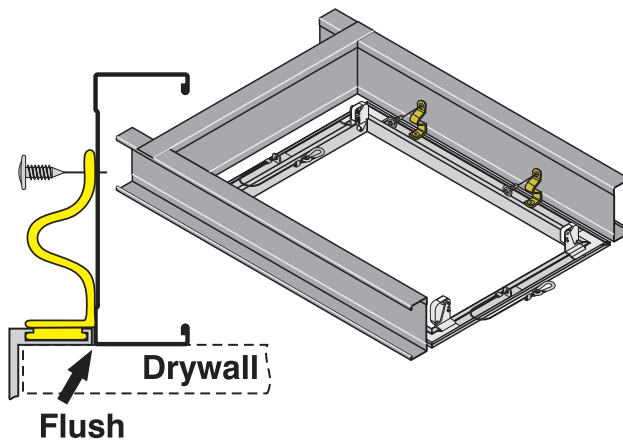
Alternative Installation Methods

A Before Drywall Installation

The panel outer frame can be hung in the rough framed opening before the drywall is in place by using temporary frame hangers. Temporary frame hangers twist into the outer frame and are then attached to surrounding framework.

These are temporary hangers only for roughly locating the frame during boarding. This is not a permanent attachment system.

After the drywall is in place, the frame **MUST** be secured to drywall following the fastener placement above.



B During Drywall Installation

The access panel outer frame can be located resting on the back of the drywall as the drywall is being installed. If possible, avoid putting joints at the corners. The frame must be attached as shown above.

