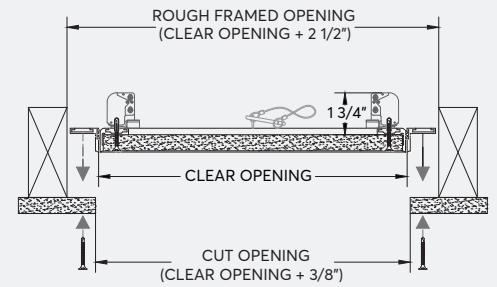
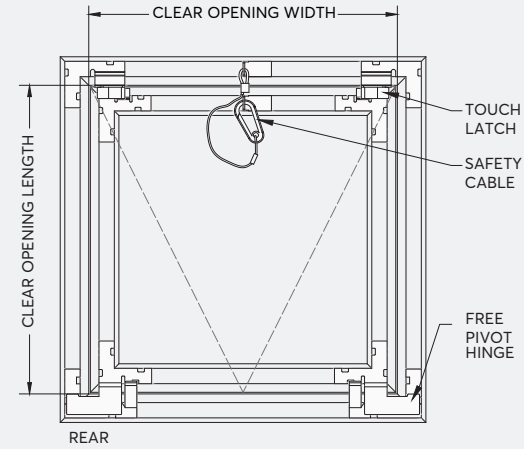
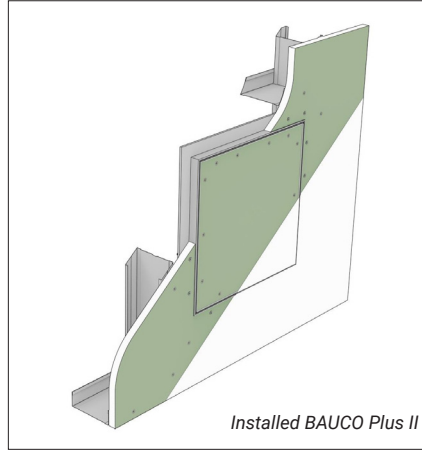
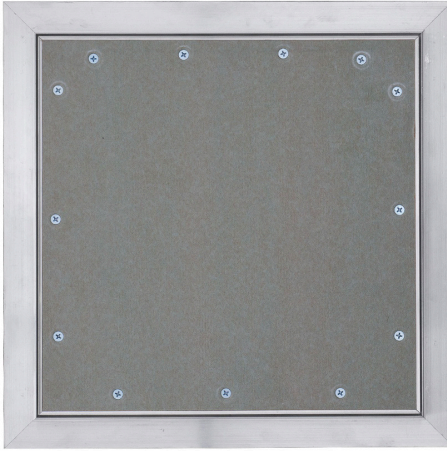


# BAUCO Plus II

Drywall Access Panel with rear-mount frame

## PRODUCT INFORMATION



### APPLICATIONS

- Access openings in 1/2" (12.7 mm) or 5/8" (15.9 mm) drywall walls and ceiling
- Cleanest finish possible required
- Standard and custom sizing and other customizations
- Wide variety of surface finishes such as paint, wallpaper or facing materials such as tile and millwork (by others)
- Areas with sound transmission concerns
- Great for mechanical, HVAC, fan coil, and electrical access

### DESCRIPTION

- Rear-mount frame
- Concealed frame, hardware and latch
- Factory installed drywall inlay
- Frame acts as finishing bead
- Virtually invisible finishing
- 1/16" perimeter gap
- Superior acoustics with air tight seal and mass of drywall inlay
- Fully removable door leaf
- Free pivot hinge and safety cable

### SPECIFICATIONS

**Materials:** 6063-T6 aluminum frame with galvanized steel hardware and moisture and mold resistant drywall inlay

**Door leaf:** Fully removable door leaf for full access

**Latch:** Concealed mechanical touch latch

**Hinge:** Free pivot hinge with safety cable

**Gasket:** EPDM rubber perimeter gasket

#### Standard Latch

- Mechanical touch latch

#### Latch Options

- Keyed lock
- Cam latch (slotted or torx head)

#### Standard Finish

- Unfinished inlay installed Ready to receive a wide range of surface treatments on site

#### Finish Option

- BAUCO Paint-ready. Factory-primed door leaf. Ready to paint.

#### Standard Inlay

- Moisture- and mold-resistant drywall

#### Inlay Options

- Acoustic Board
- Tile Backer
- Imperial Blue Board
- Double Layer Drywall
- Plywood

### Standard Sizes

(Custom sizes available upon request)

Access Panel Size/ Clear Opening		Weight	
Inch	mm	lbs-1/2"	lbs-5/8"
6 x 6"	152 x 152mm	1.9	2.1
8 x 8"	203 x 203mm	2.4	2.8
10 x 10"	254 x 254mm	3	3.7
12 x 12"	305 x 305mm	3.7	4.6
14 x 14"	356 x 356mm	4.4	5.7
16 x 16"	406 x 406mm	5.2	6.9
18 x 18"	457 x 457mm	6.1	8.2
20 x 20"	508 x 508mm	7.1	9.7
24 x 24"	610 x 610mm	9.3	12.8
24 x 36"	610 x 914mm	12.7	18.1

**Cut Opening in Drywall** = Clear OPENING Size + 3/8"

**Rough Framed Opening** = Clear OPENING Size + 2 1/2"

For detail, see submittal sheet.

Wide range of custom sizes and custom options available. Call or email to connect.