

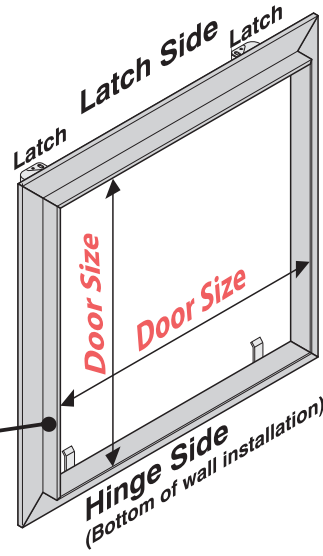
Introduction and Key Concepts

Access Panel Outer Frame

The dimensions of the **Door Size** (clear opening in outer frame) are used to determine the **Cut Opening** (opening in the drywall) and the minimum **Rough Frame Opening** (spacing of framing members).

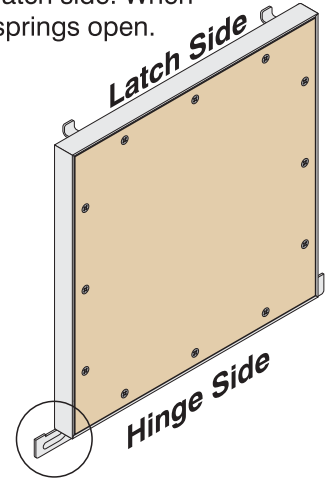
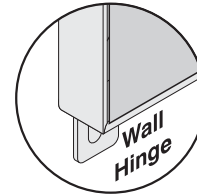
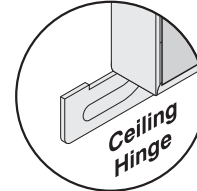
The number group following the first 4 digits in the model number is the **door size**. **Ex:** access panel with the Model Number 20-58-1212 has a **12" x 12" door size**.

The outer frame mounts to the back of the drywall and is attached with self-drilling screws through the face of the drywall.



Access Panel Door Leaf

The door leaf is opened by pressing on the panel on the latch side. When released, the panel springs open.



For trouble-free installation and operation please observe the following:

- 1-The access panel outer frame must be screwed to the drywall every 4" or less with more precise attachment at the corners and through the base of all latch brackets.
- 2-The outer frame must be attached to the drywall square and straight. Frame is flexible; attach straight.
- 3-The wall or ceiling must be rigid. Blocking and or rigid hangers must ensure no flexibility or movement in drywall.
- 4-The drywall surrounding the outer frame should be flat. If screw heads protrude above the face of the framing, it is recommended that drywall shims are used to make a flat surface.

Installation Methods

Standard Installation

Create the rough opening according to framing guidelines. Measure framing location and note for reference. Board over opening. Precisely mark out cut opening in drywall and cut and remove. Ensure there is adequate overlapping drywall to accept outer frame. Angle outer frame through the opening and attach according to the information on page 2. Alternative methods for locating outer frame are outlined on page 2.

Size of the Cut Opening (B)

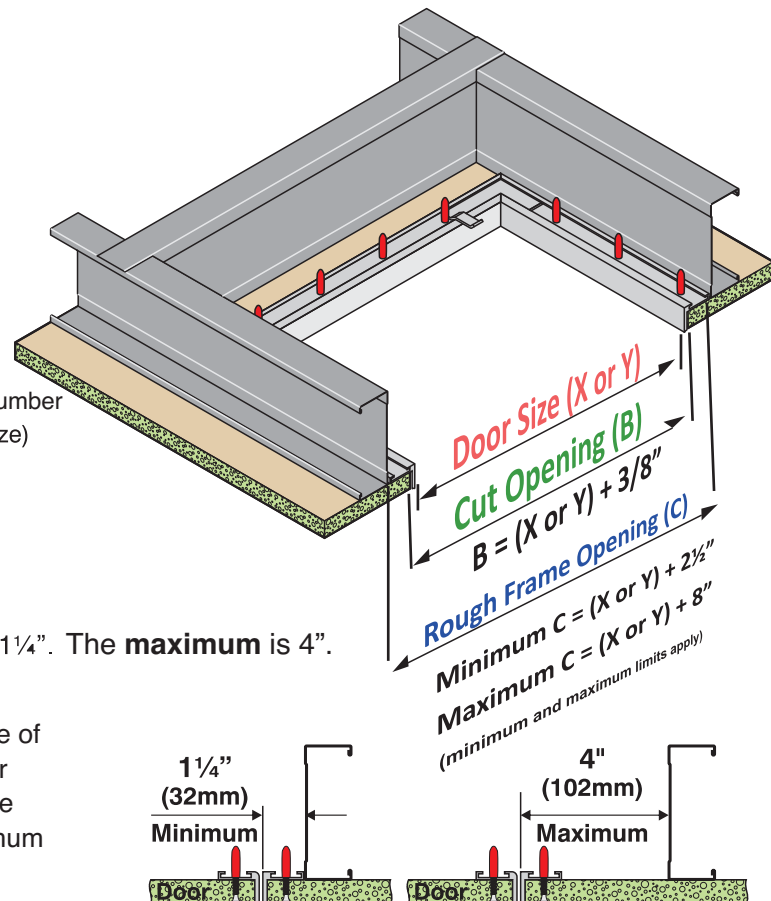
Door Size (X or Y) number group following first 4 digits in the model number
The **Cut Opening (B)** is the door size **(X or Y) + 3/8"** (drywall opening size)

EX: A Model 20-58-1212 with a **12" x 12"** door size needs a **12 3/8" x 12 3/8"** cut opening in the drywall.

Size of the Minimum Rough Frame Opening (C)

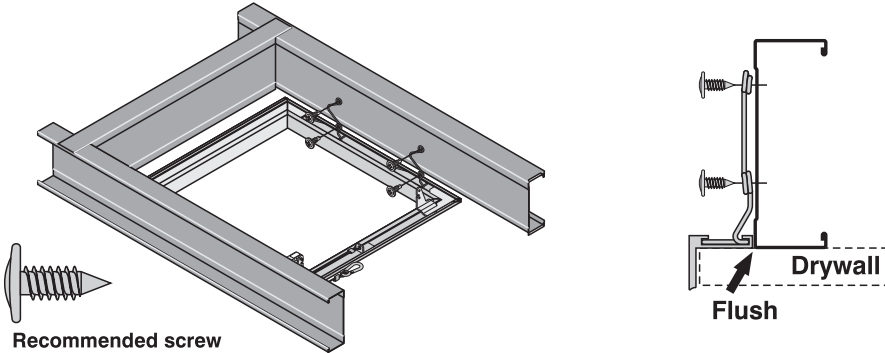
The **minimum** distance from the panel opening to a stud is **1 1/4"**. The **maximum** is **4"**.

EX: For a Model 20-58-1212 with a **12" x 12"** door size, the minimum spacing of the framing is **14 1/2"** with **1 1/4"** on either side of the opening. The maximum spacing is **20"** - with **4"** max. on either side of the opening. The distance to the studs does not have to be the same as long as the framing is within the maximum and minimum dimensions.



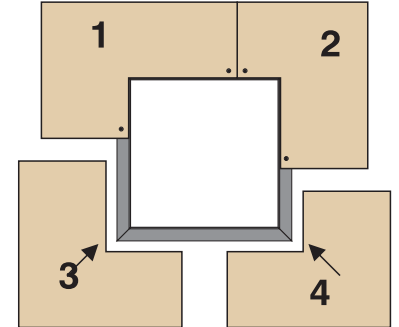
A. Install Aids (included with large panels only; or upon request)

The panel outer frame can be hung in the rough framed opening before the drywall is in place by using Install Aids. Install Aids clip into the outer frame and are screwed or tied to framework. **After the drywall is fitted around the frame, the frame MUST be attached to drywall with SCREWS as shown in the next section.** These are an **INSTALLATION AID ONLY**



B. During Drywall Installation

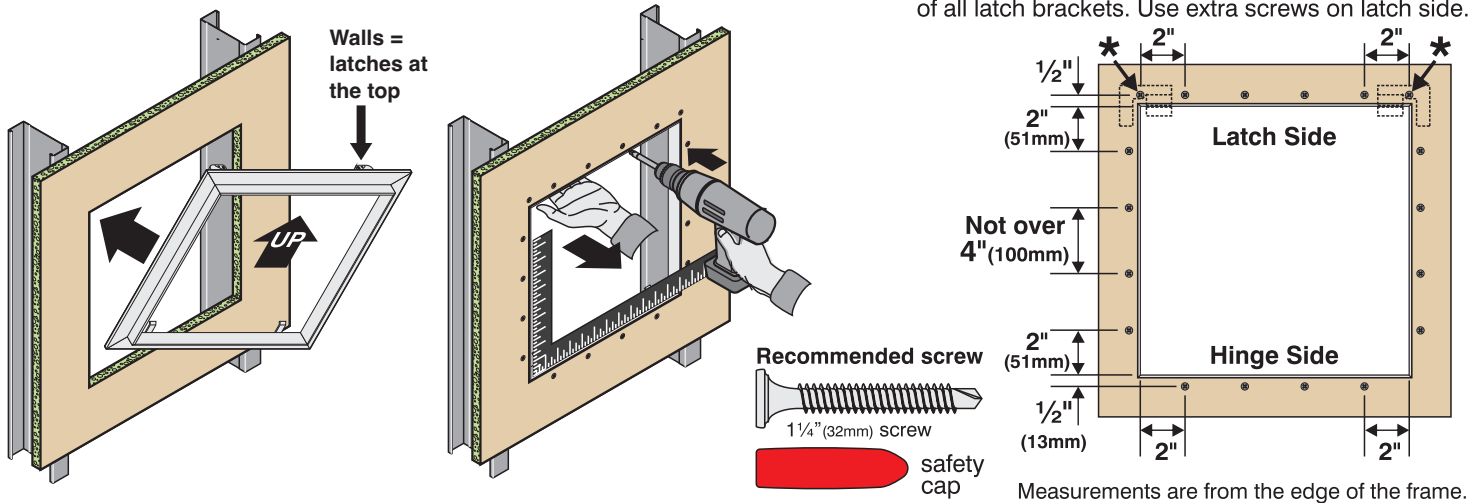
The access panel outer frame can be located resting on the back of the drywall **as the drywall is being installed.** If possible, avoid putting joints at the corners. **The frame must be attached as shown in the next section.**



Outer Frame Installation and Panel Finishing

Pass the frame through the opening into position (or locate with alternative method) so outer frame rests on back of drywall. **Ensure the frame is straight and square.** Screw through the drywall into the frame of the access panel. **Correct fastener spacing must be followed**

***Important Fastener Placement.** At the latch side only, a screw should be fitted in line with the edge of the frame. It will go through the steel corner brackets. If multiple latches, place fasteners through the base of all latch brackets. Use extra screws on latch side.



Insert door leaf and test function. Remove. Apply filler into any gaps around the outer frame, filling to the level of the raised edge. Apply filler to the door leaf. Sand and fill until desired finish is achieved. **Finished height must not be higher than edge** of outer frame and door leaf frame. Setting-type compound is recommended for the first coat. Clean excess and dust from frame and the door with a damp cloth. Prime and paint together or separately. Attach the safety cable when done.

