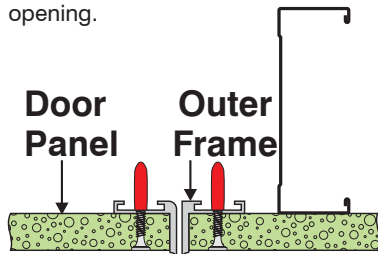


Access Panel Outer Frame

The access panel **outer frame** mounts to the back of the drywall and is attached with self-drilling drywall screws through the face of the drywall.

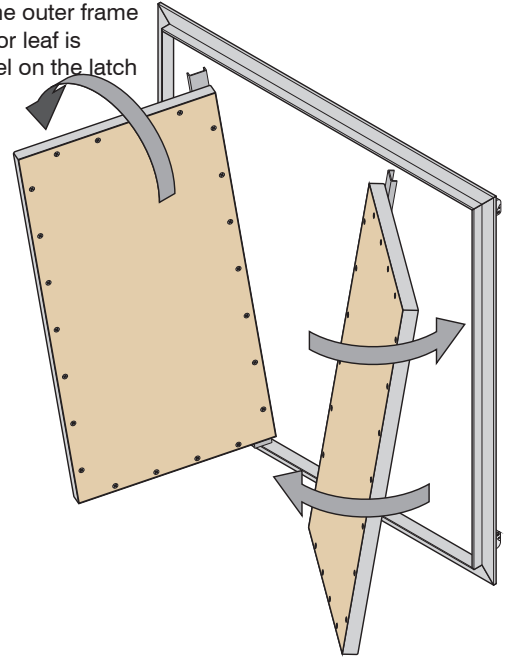
The dimensions of the **Door Size (A)** (clear opening) in the outer frame are used to determine the **Cut Opening (B)** (opening in the drywall) and the minimum **Rough Framed Opening (C)** (spacing of framing members).

The number group following the first 4 digits in the model number is the clear opening dimensions. Ex: access panel with the Model Number 20-58-4842-2 has a 48" x 42" clear opening.



Access Panel Door Panels

Remove the door panels from the outer frame to begin the installation. The door leaf is opened by pressing on the panel on the latch side. When released, the panel springs open. Angle the open panel in order to pass through the outer frame.



For trouble-free installation and operation please observe the following:

- 1- The access panel outer frame must be screwed to the drywall every 4" or less with more precise attachment at the corners and through the base of all latch brackets.
- 2- The outer frame must be attached to the drywall square and straight. Frame is flexible; attach straight.
- 3- The wall or ceiling must be rigid. Blocking and or rigid hangers must ensure no flexibility or movement in drywall.
- 4- The drywall surrounding the outer frame should be flat. If screw heads protrude above the face of the framing, it is recommended that drywall shims are used to make a flat surface.

INSTALLATION METHODS

Standard Installation- Outer Frame located after drywall

The framing members need to be positioned around the cut opening in the drywall so as to allow space for the access panel outer frame. Drywall is attached to framing and an opening is made not up to the framed opening but leaving the drywall overlapping the framing to create a lip to accept the access panel outer frame. The access panel outer frame is angled through the opening and positioned against the back of the drywall. Proper attachment guide on the back page. Alternative methods are outlined on the back page.

Size of the Cut Opening (B) in drywall

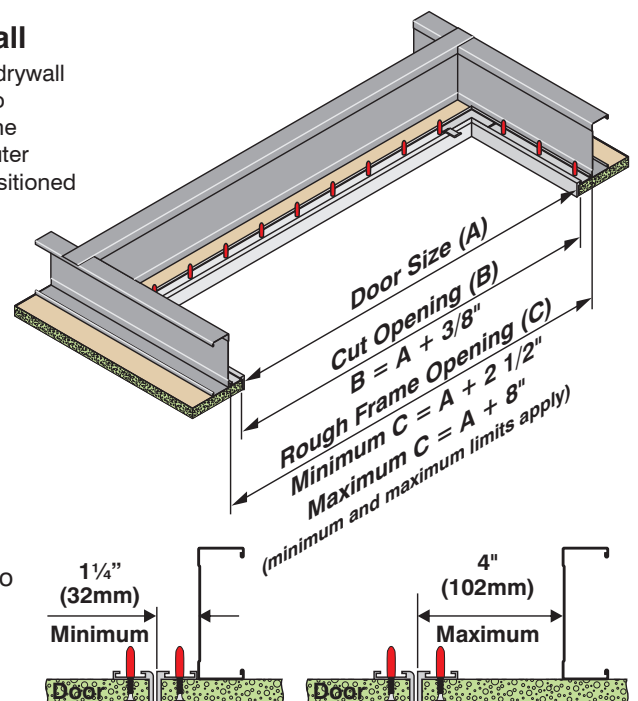
Door size (A) is the last four digits of the model number. For example, a Model 20-58-2436 has a 24" x 36" door size. The **Cut Opening (B)** is the door size + 3/8". A Model 20-58-2436 with a 24" x 36" door size needs a 24 3/8" x 36 3/8" cut opening in the drywall.

Rough Frame Opening (C)

The **minimum** distance from the panel opening to any framework is 1 1/4". The **maximum** is 4".

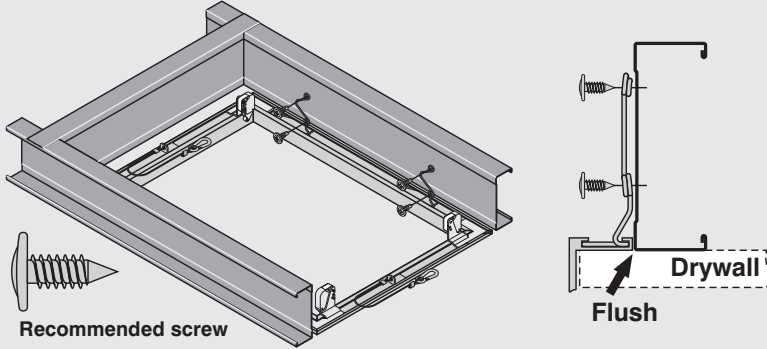
The distance from the cut opening to any framework does not have to be the same as long as the framing is within the maximum and minimum dimensions.

Example: For a model 20-58-6030-2 with a 60" x 30" clear opening: The minimum spacing of the framing members is 62 1/2" x 32 1/2".



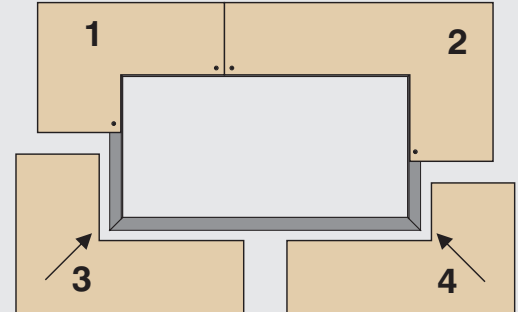
Alternative Installation Methods

Stud Anchors (included with large panels; otherwise upon request)
 The panel outer frame can be hung in the rough framed opening before the drywall is in place by using the Stud Anchors. Stud Anchors clip into the outer frame and are screwed or tied to framework.
 After the drywall is fitted around the frame, the frame must be attached as shown in the next section. Stud anchors are an installation aid only.



During Drywall Installation

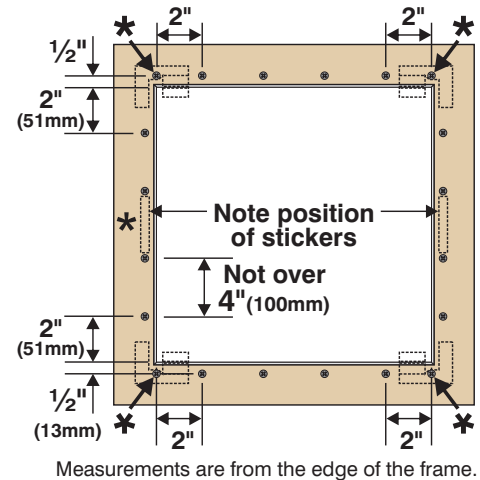
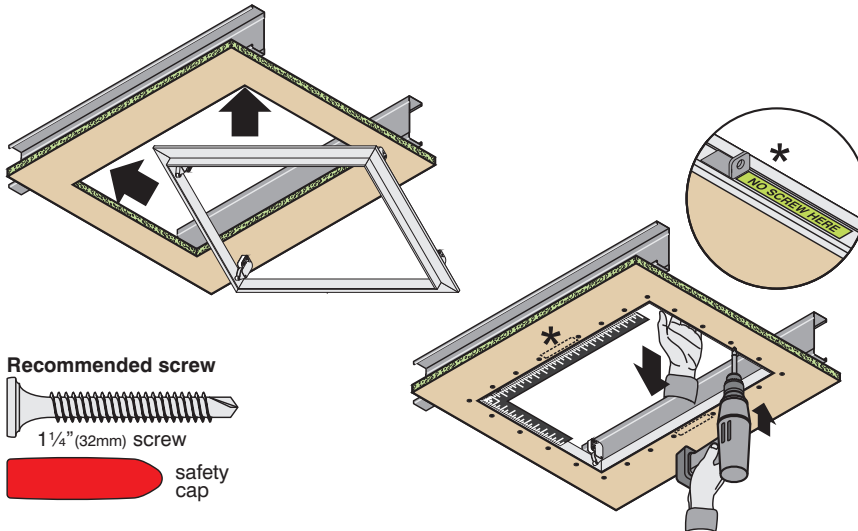
The access panel outer frame can be located resting on the back of the drywall **as the drywall is being installed**. If possible, avoid putting joints at the corners. **The frame must be attached as shown in the next section.**



FRAME INSTALLATION AND FINISHING

The access panel outer frame is angled through the opening into position (or locate with alternative method). The outer frame rests on back of drywall. **Ensure the frame is straight and square**. Screw through the drywall into the frame of the access panel. **Correct fastener spacing** must be followed. Note where not to place screws.

*** Important Fastener Placement.** At latch sides, a screw should be fitted in line with the edge of the frame. It will go through the steel corner brackets. If multiple latches, place fasteners through the base of all latch brackets. Use extra screws on latch side. **Screws spaced not more than 4".**



Insert door leaf and test function. Remove. Apply filler into any gaps around the outer frame, filling to the level of the raised edge. Apply filler to the door leaf. Sand and fill until desired finish is achieved. Finished height must not be higher than edge of outer frame and door leaf frame. Setting-type compound is recommended for the first coat. Clean excess and dust from frame and the door with a damp cloth. Prime and paint together or separately. Attach the safety cable when complete.

