

BAUCO[®] softline

Clean Flush Access Door



BAUCO® softline

CLEAN FLUSH ACCESS DOOR

DESCRIPTION

BAUCO® softline is a flush-mount sheet-metal access door designed to be the most visually appealing and functional product of its kind. The installed door “hugs” the surrounding surface with its soft-transition frame flange that minimizes shadows and sight lines on all surfaces. The concealed hardware (hinge, latches, mounting anchors) adds to the appearance allows the door leaf to be removed for unobstructed access.

BAUCO® softline is also available with keyed cabinet locks.

FOR USE IN

- Wall or ceiling applications
- New construction or repairs
- Replacement of unsightly existing panels
- Create access openings without having to paint or mud
- Rough openings independent of joists/studs
- Creating access in wood, brick, drywall, concrete, or tiled surfaces
- This product is not fire rated

BENEFITS

- Clean finishes and minimal disruption to sight-lines
- No painting required
- Simple installation with adjustable anchors
- Functional access for walls or ceilings
- Fully removable door leaves



BAUCO® softline

GALVANIZED SHEET-METAL ACCESS DOOR WITH SOFT-TRANSITION FRAME AND CONCEALED HARDWARE



FRAMING GUIDE

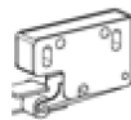


STANDARD FEATURES

- Concealed hinge
- Fully removable door
- Soft-transition flush frame, minimal shadow gaps
- Mounts through holes in frame and in adjustable anchor straps
- Galvanized sheet metal (1 mm thickness)
- White powder-coated finish (RAL 9016)

LATCH OPTIONS

Touch Latch



Keyed Lock



CUSTOM SIZES AVAILABLE

In Quantities Over 100

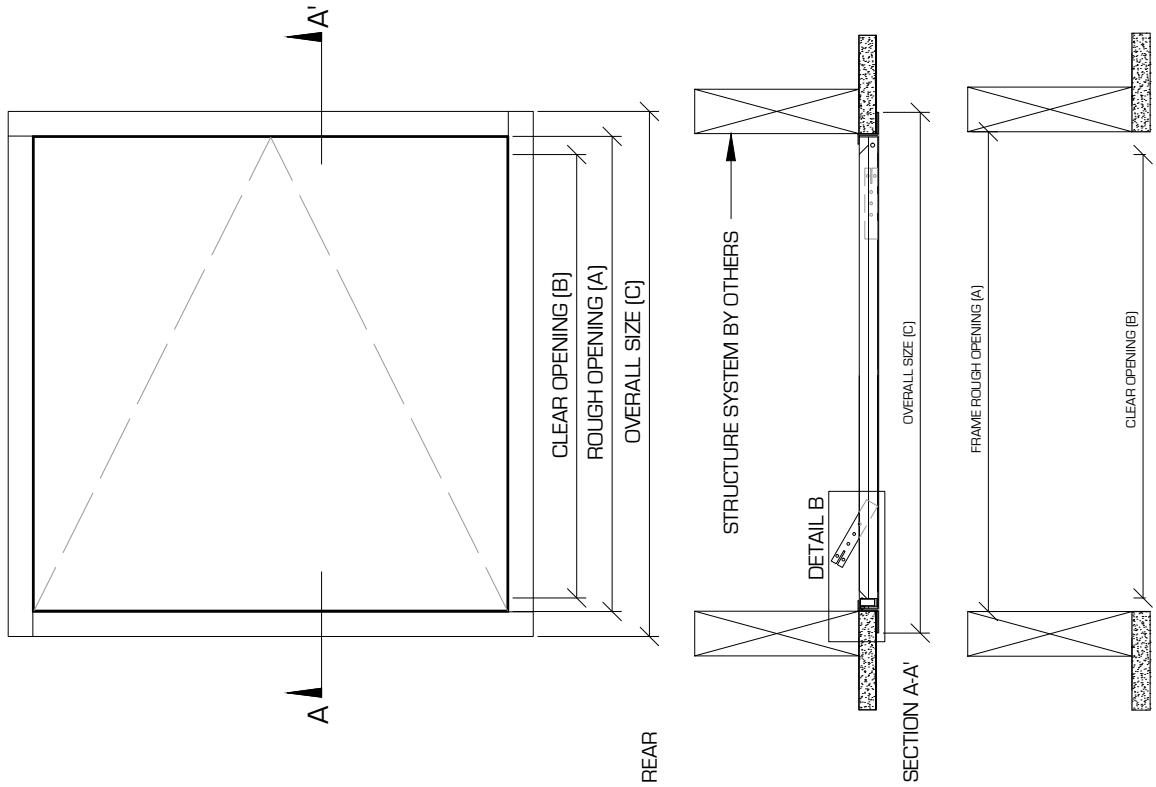
BAUCO® softline

IMPERIAL SIZE CHART FOR STANDARD SIZES

Model Number					
Keyed Lock	Touch Latch	Nominal	Rough Framed Opening (A)	Clear Opening (B)	Overall Size (C)
	30-0606-TL	6" x 6"	6" x 6"	5" x 5 1/2"	7 1/4" x 7 1/4"
30-0808-K	30-0808-TL	8" x 8"	8" x 8"	7" x 7 1/2"	9 1/4" x 9 1/4"
30-1212-K	30-1212-TL	12" x 12"	11 3/4" x 11 3/4"	10 7/8" x 11 3/8"	13 1/8" x 13 1/8"
30-1616-K	30-1616-TL	16" x 16"	15 3/4" x 15 3/4"	14 3/4" x 15 1/4"	17" x 17"
30-1818-K	30-1818-TL	18" x 18"	17 1/2" x 17 1/2"	16 1/4" x 16 1/2"	19 1/4" x 19 1/4"
30-2020-K	30-2020-TL	20" x 20"	20 1/8" x 20 1/8"	19" x 19"	21 7/8" x 21 7/8"
30-2424-K	30-2424-TL	24" x 24"	23 3/4" x 23 3/4"	22" x 22 1/4"	25" x 25"
	30-2230-TL	22" x 30"	22 1/4" x 30"	21" x 28 3/4"	23 7/8" x 31 5/8"
	30-2236-TL	22" x 36"	22 1/4" x 36"	21" x 34 3/4"	23 7/8" x 37 5/8"
30-2448-K		24" x 48"	24 1/8" x 48 1/8"	23 1/8" x 47 1/8"	25 7/8" x 49 7/8"



BAUCO SOFTLINE ACCESS DOOR - TOUCH LATCH



FOR USE IN:

- ALL WALL AND CEILING ASSEMBLIES
- CLOSING OPENINGS WITHOUT HAVING TO PAINT OR MUD
- ROUGH OPENINGS IN CLADDING WITHOUT ABUTTING STRUCTURAL STUDS
- CREATING ACCESS IN WOOD, BRICK, DRYWALL, CONCRETE OR TILED SURFACES

BENEFITS:

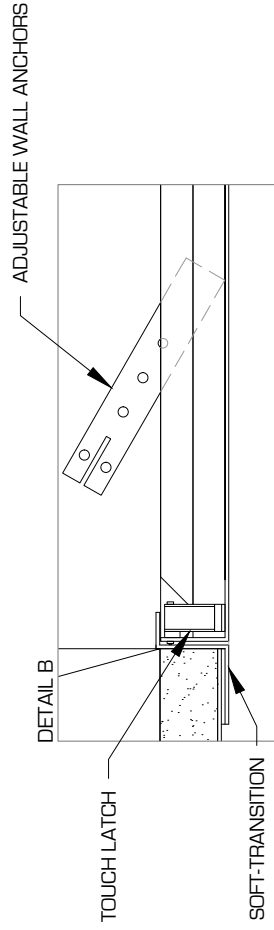
- CLEAN FINISHES & MINIMAL DISRUPTION TO SIGHTLINES
- NO PAINTING REQUIRED (CAN BE PAINTED WITH MINIMAL SURFACE PREPARATION)
- SIMPLE INSTALLATION IN STUDS, STONE, OR BRICK, WITH ADJUSTABLE ANCHORS
- FUNCTIONAL ACCESS FOR WALLS OR CEILINGS
- MAXIMUM UNRESTRICTED ACCESS WITH FULLY REMOVABLE DOOR LEAVES

STANDARD FEATURES:

- GALVANIZED SHEET METAL (THICKNESS 1 MM)
- WHITE POWDER-COATED FINISH (RAL 9016)
- CONCEALED HINGE
- FULLY REMOVABLE DOOR
- CONCEALED MECHANICAL TOUCH LATCH
- SOFT-TRANSITION FLUSH FRAME, MINIMAL SHADOW GAPS
- MOUNTS TO STUDS, STONE, BRICK, ETC. THROUGH HOLES IN FRAME & IN THE ADJUSTABLE ANCHOUR STRAPS

LATCH OPTIONS

- CONCEALED TOUCH LATCH (STOCK ITEM)
- KEYED CABINET LOCK, KEYED ALIKE (STOCK ITEM)



SECTION A-A' WITHOUT ACCESS PANEL

BAUCO SOFTLINE ACCESS DOOR - KEYED LOCK

FOR USE IN:

- ALL WALL AND CEILING ASSEMBLIES
- CLOSING OPENINGS WITHOUT HAVING TO PAINT OR MUD
- ROUGH OPENINGS IN CLADDING WITHOUT ABUTTING STRUCTURAL STUDS
- CREATING ACCESS IN WOOD, BRICK, DRYWALL, CONCRETE OR TILED SURFACES

BENEFITS:

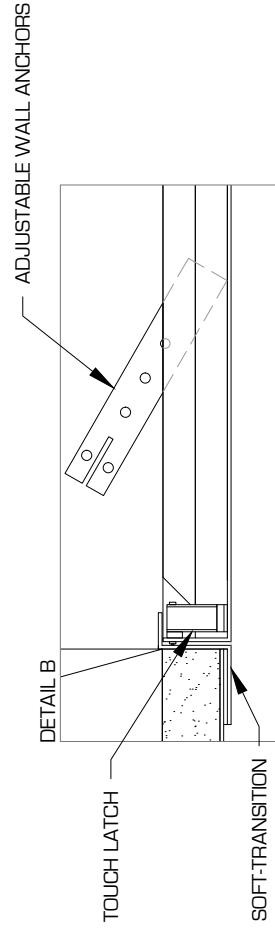
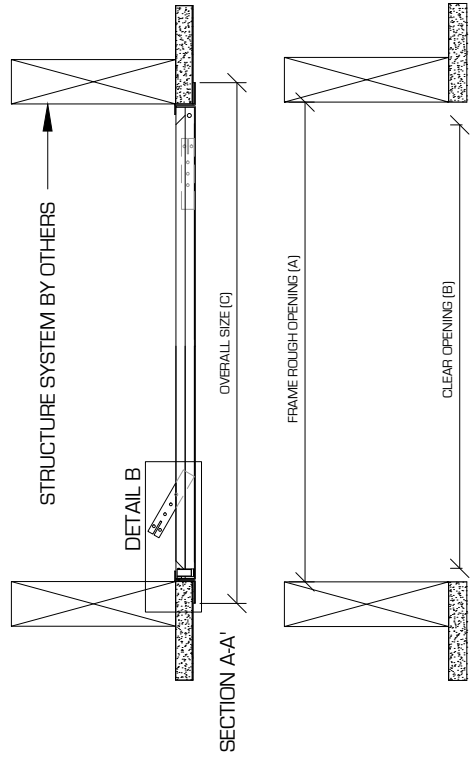
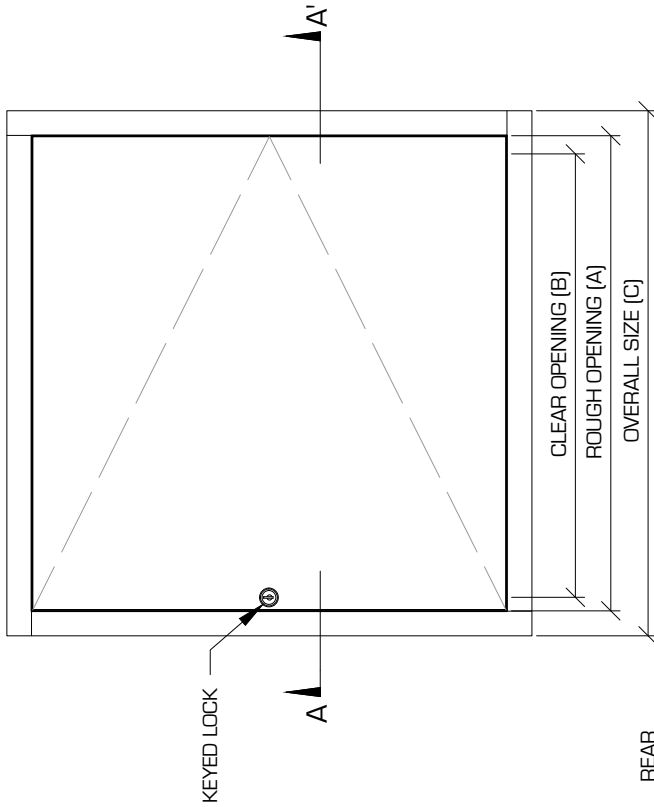
- CLEAN FINISHES & MINIMAL DISRUPTION TO SIGHTLINES
- NO PAINTING REQUIRED (CAN BE PAINTED WITH MINIMAL SURFACE PREPARATION)
- SIMPLE INSTALLATION IN STUDS, STONE, OR BRICK, WITH ADJUSTABLE ANCHORS
- FUNCTIONAL ACCESS FOR WALLS OR CEILINGS
- MAXIMUM UNRESTRICTED ACCESS WITH FULLY REMOVABLE DOOR LEAVES

STANDARD FEATURES:

- GALVANIZED, SHEET METAL (THICKNESS 1 MM)
- WHITE POWDER-COATED FINISH (RAL 9016)
- CONCEALED HINGE
- FULLY REMOVABLE DOOR
- CONCEALED MECHANICAL TOUCH LATCH
- SOFT-TRANSITION FLUSH FRAME, MINIMAL SHADOW GAPS
- MOUNTS TO STUDS, STONE, BRICK, ETC. THROUGH HOLES IN FRAME & IN THE ADJUSTABLE ANCHOUR STRAPS

LATCH OPTIONS

- CONCEALED TOUCH LATCH (STOCK ITEM)
- KEYED CABINET LOCK, KEYED ALIKE (STOCK ITEM)



SECTION A-A' WITHOUT ACCESS PANEL

Project Name:
Project Number:

Item Number:
Item Description:

Manufacturer: Bauco Access Panel Solutions
Address: 834 Devonshire Road, Victoria, BC Canada V9A 4T4
Telephone: 1-250-592-0033 Toll-free Telephone: 1-877-592-0033
Fax: 1-250-592-7587 Toll-free Fax: 1-877-592-7587
Email: info@accesspanelsolutions.com

Model Number: Softline 30-____-TL *series

Model Name: **BAUCO® softline** galvanized sheet metal access panel

Description: Soft transition edge metal access panel with no edge shadow.
No sharp edges, no seams, or miter jointed corners.
Complete with rear adjustable tabs for mounting.
Low profile access panels rise only 1.8mm above finished surface.
Installs flush in walls or ceilings.
Hardware free finish, opens with concealed touch latches.
Suitable for new construction and repairs.
Panels arrive ready for installation.
Powder coat painted white (RAL 9016)



Dimensions: Standard sizes: 6" x 6", 8" x 8", 12" x 12", 16" x 16", 18" x 18", 20" x 20", 24" x 24", 22" x 30", 22" x 36", 24" x 48".
Custom sizes available in large production runs over 100 units, call for more details.

Sizing: For a proper fit, the cut opening has to be the door size (A) + 1/4".

Notes: * Middle 4 digits indicate size
e.g. 30-1212-TL = 12" x 12" square panel with touch latches.
Options: Key lock = K