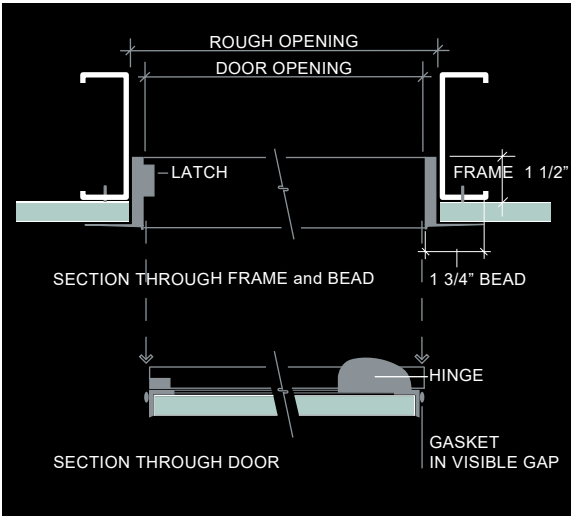


1: Prepare the Rough Opening



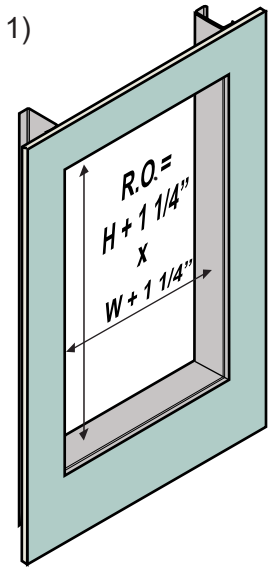
RO Dimension =

Door Size + 1 1/4"

For Example: Access Panel
60" tall x 30" wide in wall,
the R.O. must be 61 1/4" tall
x 31 1/4" wide.

- Ensure the framing is square, level and plumb.

(Fig. 1)



2: Position, Align and Secure in R.O.

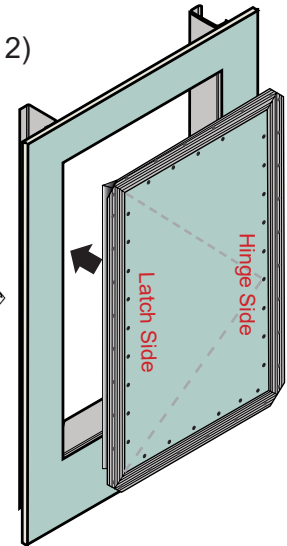
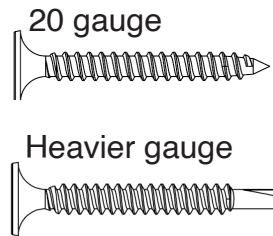
- Place the closed access panel into the R.O to test the fit.
- Door can be used for either left or right swing.
- Take care not to strip the fastener hole in the framing.
- Step 1: Start by placing the first fastener at top end of the side opposite the hinge (latch side (A) Fig.3). Then align that edge to be plumb and secure it from top to bottom with fasteners.
- Step 2: Next lift lower end of the hinge side (Fig.3) until visible gap (---) looks evenly spaced (2mm or 5/64") all around. Fix with first fastener on hinge side (B). Then place fasteners all along hinge side (B).
- Finish by placing fasteners in all holes at top and bottom of opening.
- Open door leaf and check for smooth function.

*Finishing bead should sit snug/tight against drywall.

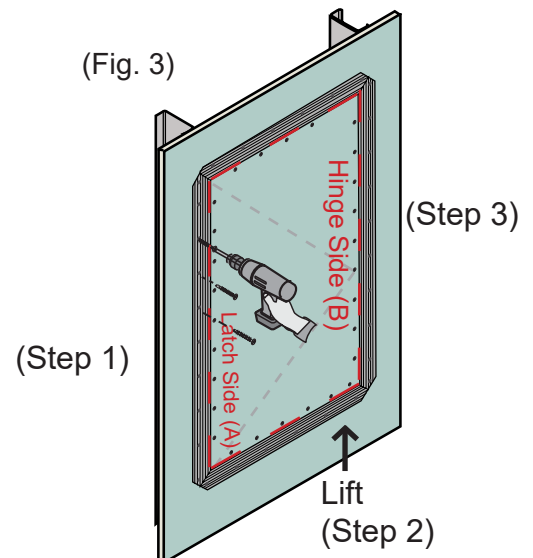
Important Notes:

- Install fasteners to all countersunk holes
- Re-tighten all fasteners in a 2nd pass as needed

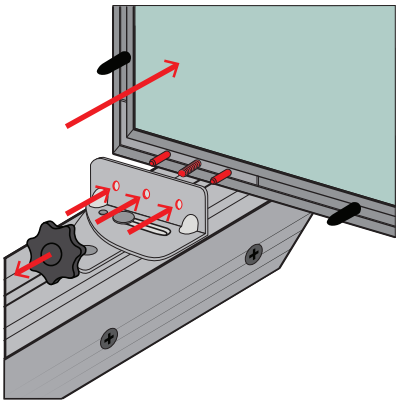
(Fig. 2)



(Fig. 3)



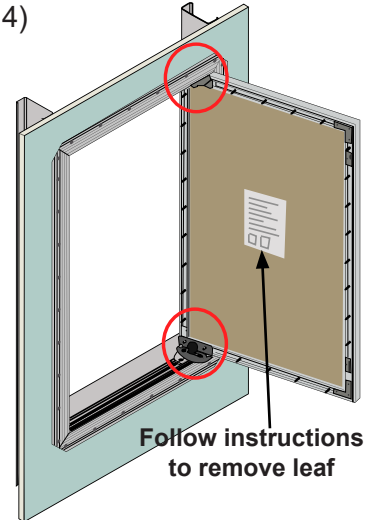
4: Remove Door Leaf for Finishing



(Fig. 5)

- Open door leaf and locate black knobs at top and bottom hinge. (Fig. 4)
- Loosen the black knobs and carefully disengage the door leaf from the hinge. (Fig. 5)

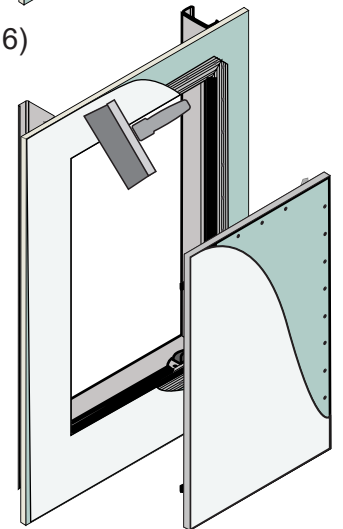
(Fig. 4)



(Fig. 6)

5: Apply Filler Compound to Outer Frame

- Apply a first coat of drywall compound to the bead. A setting-type compound is recommended for the first coat.
- Note that it is not necessary to tape the transition from the aluminum bead to the drywall.
- Let dry, sand, and apply more coats of filler until the desired finish is achieved. (Fig. 6)
- Apply drywall compound to the door leaf.
- Let dry, sand and apply subsequent coats of filler until the desired finish is achieved.
- Do not leave compound above the leading edge of the frame.



(Fig. 7)

6: Clean Frame and Gasket

- Use a wet cloth or gentle sanding sponge to remove any excess mud from aluminum door frame, gasket, and door leaf.
- Tip: Apply silicon lubricant to the gasket for superior operation.

7: Re-hang Door Leaf and Paint

- Reinstalling the door leaf to the outer frame is the reverse of the removal. Simply position the locating pins of the door leaf into the hinges and fasten the threaded knobs.
- Paint surface with short pile roller (Fig. 7). Avoid filling visible gap (2mm) with paint.

