

BAUCO® Plus

Installation Overview

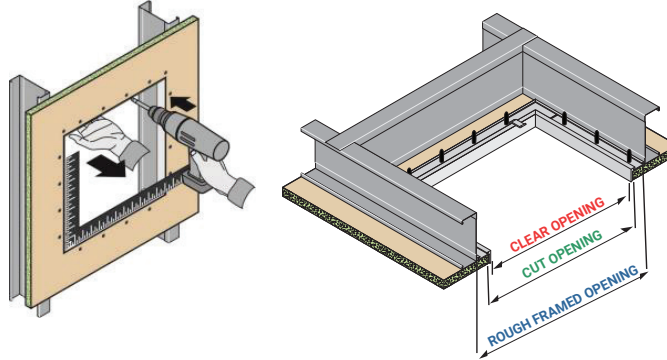
Watch our installation video on  YouTube



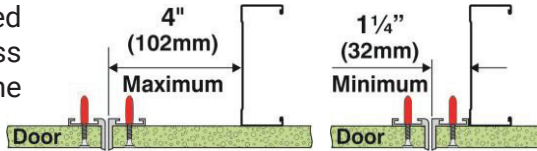
SCAN ME

Installation Overview

1. Access panel outer frame must be attached to the overlapping lip of drywall, not to the framework. Make sure the outer frame is square and straight when attaching it.

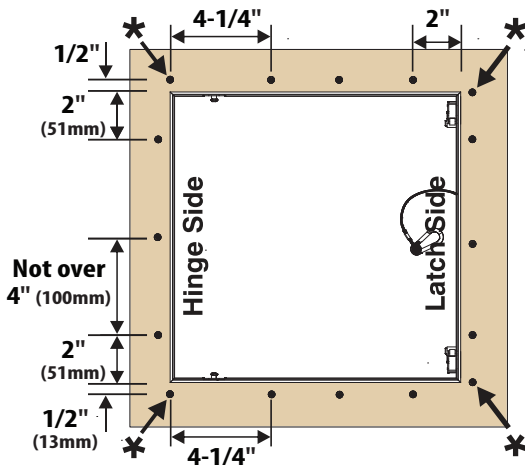


2. The structure surrounding the installed access panel must be rigid. Use blocking/cross members so no framing is more than 4" from the panel opening.

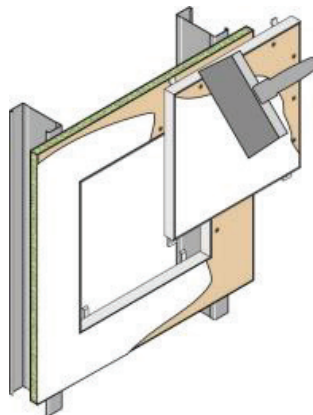


With suspended drywall grid systems, rigid steel support hangers must be used in the panel area to attach the grid to the fixed structure/slab.

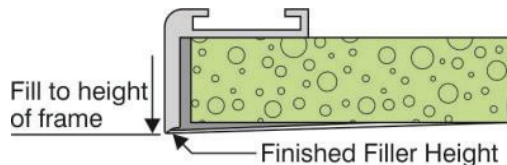
3. Enough fasteners must be used to securely attach the access panel outer frame to the surrounding drywall. Specific screw locations must be followed.



4. The BAUCO Plus requires finishing. The top edge of the outer frame and the door leaf frame are the finished height of the filler compound. Sand down to the frame.



See installation instructions and website for more details



Checklist

- Access Panel must be attached to drywall, straight & square
- Surrounding framework must be rigid
- Fastener pattern must be followed, with spacing no more than 4"
- Finished height must be equal to the height of the access panel outer and door leaf frames
- Filler must be sanded to height of access panel frames

Approved by:

Date: