

BAUCO Plus II

Drywall Access Panel with rear-mount frame

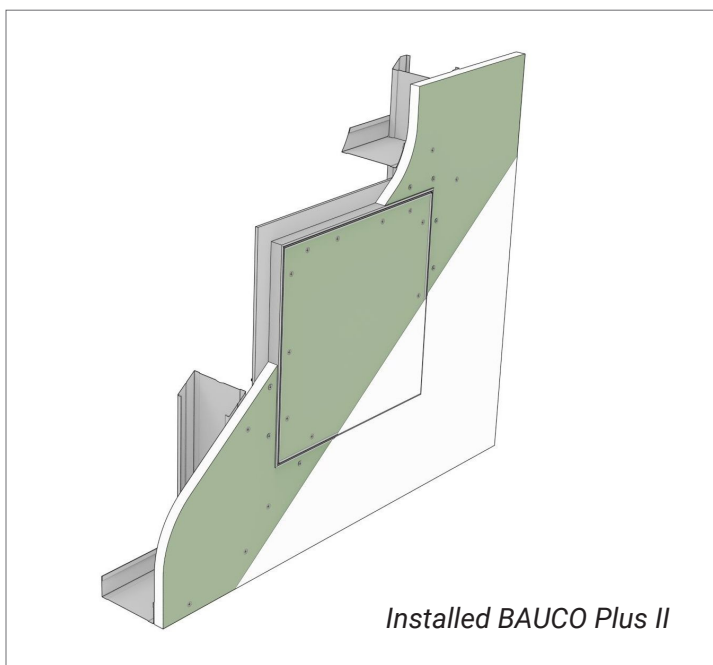
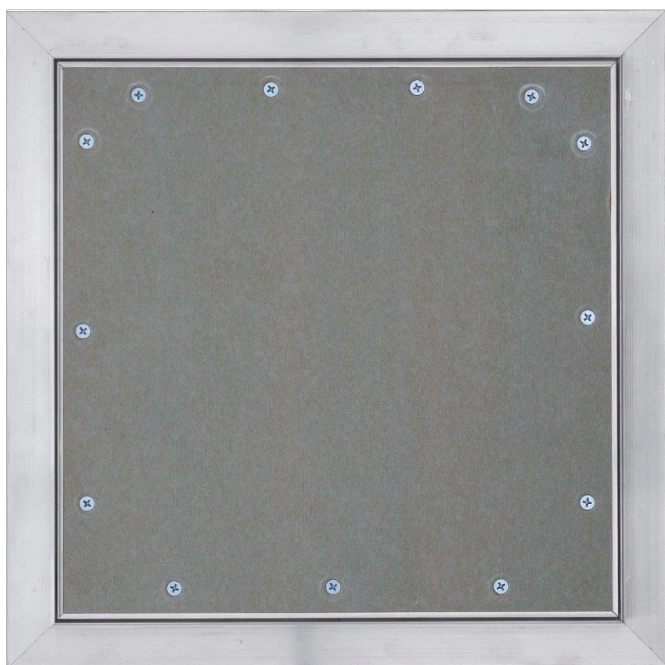


**You have access problems.
We have solutions.**

The **BAUCO Plus II** access panel is the most versatile model for drywall construction. Its concealed frame sits behind the board (rear-mount) and provides a finishing edge. With concealed hardware and continuous flush finishing, only a 1/16" perimeter gap remains visible. This design allows the **BAUCO Plus II** to integrate into its surroundings, preserving aesthetics while ensuring discreet and functional access.

BAUCO Plus II

Drywall Access Panel with rear-mount frame



Installed BAUCO Plus II

APPLICATIONS

- Access openings in 1/2" (12.7 mm) or 5/8" (15.9 mm) drywall walls and ceiling
- Cleanest finish possible required
- Standard and custom sizing and other customizations
- Wide variety of surface finishes such as paint, wallpaper or facing materials such as tile and millwork (by others)
- Areas with sound transmission concerns
- Great for mechanical, HVAC, fan coil, and electrical access

DESCRIPTION

- Rear-mount frame
- Concealed frame, hardware and latch
- Factory installed drywall inlay
- Frame acts as finishing bead
- Virtually invisible finishing
- 1/16" perimeter gap
- Superior acoustics with air tight seal and mass of drywall inlay
- Fully removable door leaf
- Free pivot hinge and safety cable

SPECIFICATIONS

Materials: 6063-T6 aluminum frame with galvanized steel hardware and moisture and mold resistant drywall inlay

Latch: Concealed mechanical touch latch

Hinge: Free pivot hinge with safety cable

Door leaf: Fully removable door leaf for full access

Gasket: EPDM rubber perimeter gasket

Standard Latch

- Mechanical touch latch

Latch Options

- Keyed lock
- Cam latch (slotted or torx head)

Standard Finish

- Unfinished inlay installed Ready to receive a wide range of surface treatments on site

Finish Option

- BAUCO Paint-ready. Factory-primed door leaf. Ready to paint.

Standard Inlay

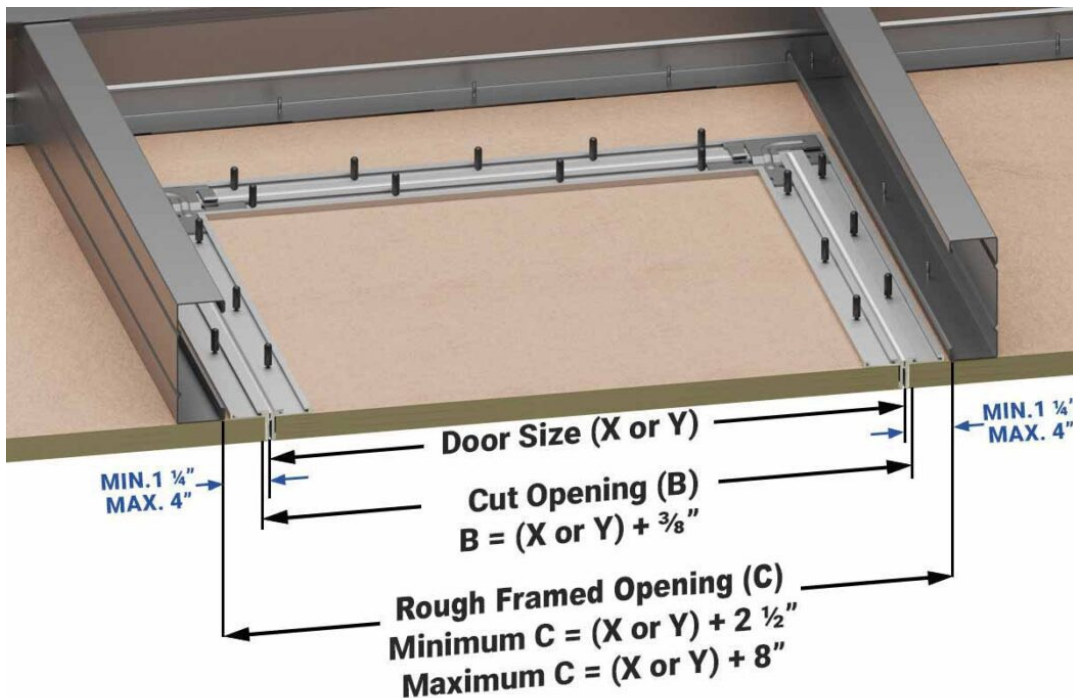
- Moisture- and mold-resistant drywall

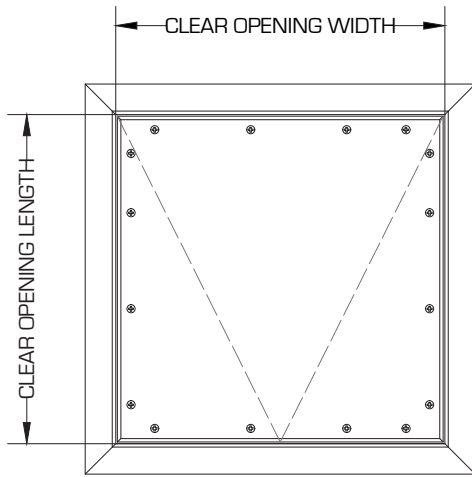
Inlay Options

- Acoustic Board
- Tile Backer
- Imperial Blue Board
- Double Layer Drywall
- Plywood

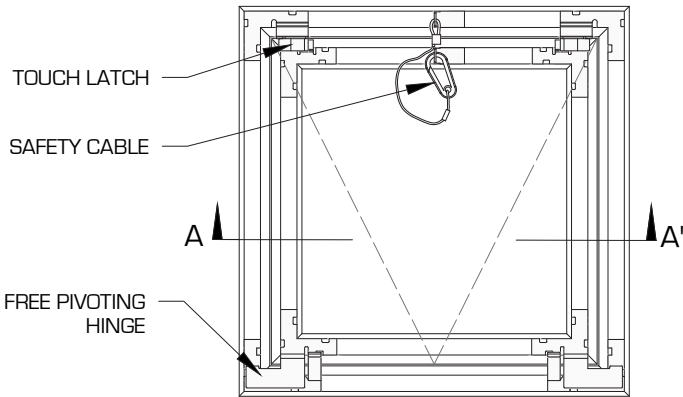
Drywall Access Panel with rear-mount frame

Nominal Size	Door Size (X/Y)	Cut Opening in Drywall (B)	Minimum Rough Framed Opening (C)	Weight
6 x 6"	6 x 6" (152 x 152mm)	6- ³ / ₈ x 6- ³ / ₈ " (162 x 162mm)	8- ¹ / ₂ x 8- ¹ / ₂ " (216 x 216mm)	2lbs (1.0kg)
8 x 8"	8 x 8" (203 x 203mm)	8- ³ / ₈ x 8- ³ / ₈ " (213 x 213mm)	10- ¹ / ₂ x 10- ¹ / ₂ " (267 x 267mm)	3lbs (1.4kg)
10 x 10"	10 x 10" (254 x 254mm)	10- ³ / ₈ x 10- ³ / ₈ " (264 x 264mm)	12- ¹ / ₂ x 12- ¹ / ₂ " (318 x 318mm)	4lbs (1.8kg)
12 x 12"	12 x 12" (305 x 305mm)	12- ³ / ₈ x 12- ³ / ₈ " (314 x 314mm)	14- ¹ / ₂ x 14- ¹ / ₂ " (368 x 368mm)	5lbs (2.3kg)
14 x 14"	14 x 14" (356 x 356mm)	14- ³ / ₈ x 14- ³ / ₈ " (365 x 365mm)	16- ¹ / ₂ x 16- ¹ / ₂ " (419 x 419mm)	6lbs (2.7kg)
16 x 16"	16 x 16" (406 x 406mm)	16- ³ / ₈ x 16- ³ / ₈ " (416 x 416mm)	18- ¹ / ₂ x 18- ¹ / ₂ " (470 x 470mm)	7lbs (3.2kg)
18 x 18"	18 x 18" (457 x 457mm)	18- ³ / ₈ x 18- ³ / ₈ " (467 x 467mm)	20- ¹ / ₂ x 20- ¹ / ₂ " (521 x 521mm)	8lbs (3.6kg)
20 x 20"	20 x 20" (508 x 508mm)	20- ³ / ₈ x 20- ³ / ₈ " (518 x 518mm)	22- ¹ / ₂ x 22- ¹ / ₂ " (571 x 571mm)	10lbs (4.5kg)
24 x 24"	24 x 24" (610 x 610mm)	24- ³ / ₈ x 24- ³ / ₈ " (619 x 619mm)	26- ¹ / ₂ x 26- ¹ / ₂ " (673 x 673mm)	13lbs (5.9kg)
24 x 36"	24 x 36" (610 x 914mm)	24- ³ / ₈ x 36- ³ / ₈ " (619 x 924mm)	26- ¹ / ₂ x 38- ¹ / ₂ " (673 x 978mm)	18lbs (8.2kg)

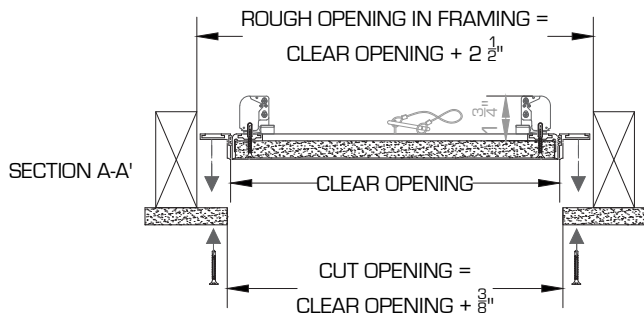




FRONT VIEW



REAR VIEW



STANDARD FEATURES

- Rear-mount frame
- For openings in 1/2" (12.7 mm) or 5/8" (15.9 mm) drywall walls and ceiling
- Concealed aluminum frame, hardware and mechanical touch latch
- Factory installed moisture/ mold resistant drywall inlay
- Frame acts as finishing bead
- 1/16" perimeter gap
- Virtually invisible finishing
- Air tight with EPDM rubber perimeter gasket
- Superior acoustics with air tight seal and mass of drywall inlay
- Fully removable door leaf
- Free-pivot hinge and safety cable

Standard Sizes

(Custom sizes available upon request)

Access Panel Size (Clear Opening)		Weight	
Inch	mm	lbs-1/2"	lbs-5/8"
6 x 6"	152 x 152mm	1.9	2.1
8 x 8"	203 x 203mm	2.4	2.8
10 x 10"	254 x 254mm	3.0	3.7
12 x 12"	305 x 305mm	3.7	4.6
14 x 14"	356 x 356mm	4.4	5.7
16 x 16"	406 x 406mm	5.2	6.9
18 x 18"	457 x 457mm	6.1	8.2
20 x 20"	508 x 508mm	7.1	9.7
24 x 24"	610 x 610mm	9.3	12.8
24 x 36"	610 x 914mm	12.7	18.1

BUY DIRECT from BAUCO for best pricing and shortest lead time.

Size
 _____ " Width(X) x _____ " Length(Y)

Thickness
 1/2"
 5/8"

Application
 Wall
 Ceiling

Latch Options
 (Standard) Mechanical Touch Latch
 Slotted Cam
 Torx Cam
 Keyed Lock

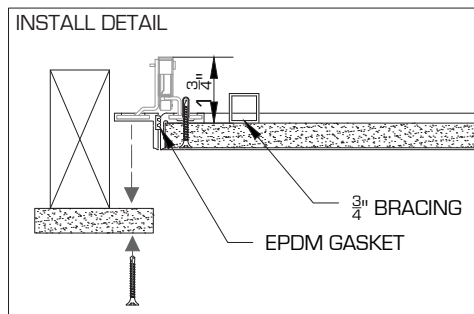
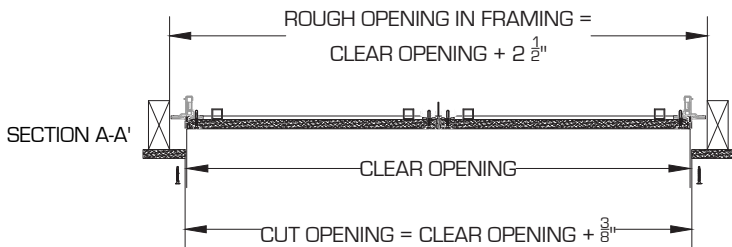
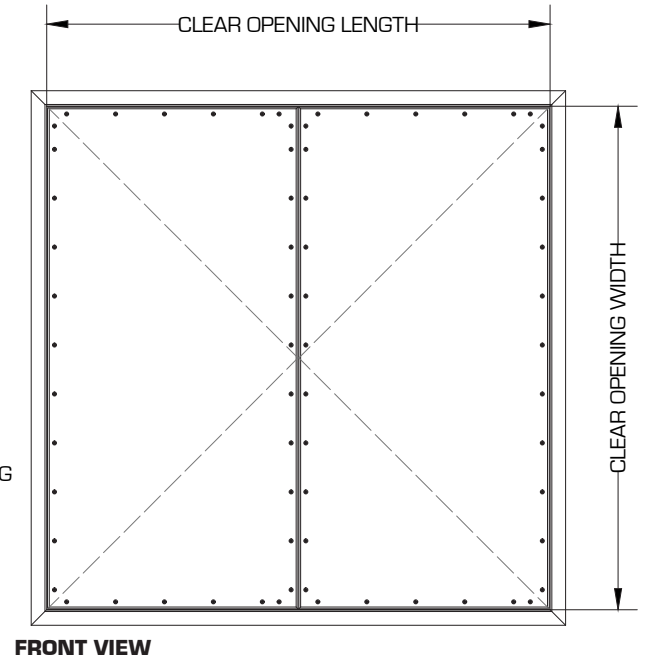
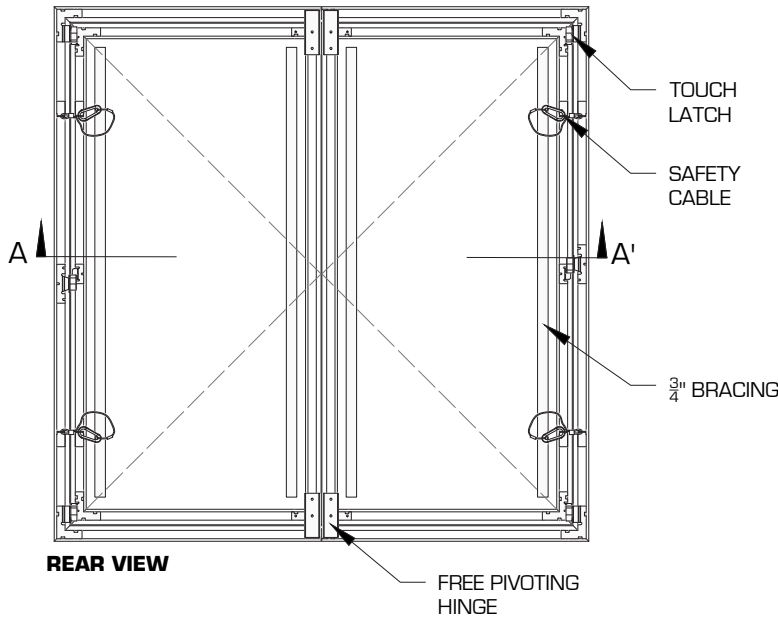
Inlay Options
 (Standard) Drywall
 Acoustic Board
 Plywood
 Cement Board

Tile Backer Drywall
 Imperial Blue Board
 Double Layer

Time Saving Option
 Paint-ready Finish

Project: _____
Client: _____
Approved by: _____
Date: _____





STANDARD FEATURES

- Rear-mount frame
- For openings in $\frac{1}{2}$ " (12.7 mm) or $\frac{5}{8}$ " (15.9 mm) drywall walls and ceiling
- Concealed aluminum frame, hardware and mechanical touch latch
- Factory installed moisture/ mold resistant drywall inlay
- Frame acts as finishing bead
- $\frac{1}{16}$ " perimeter gap
- Virtually invisible finishing
- Air tight with EPDM rubber perimeter gasket
- Superior acoustics with air tight seal and mass of drywall inlay
- Fully removable door leaf
- Free-pivot hinge and safety cable

BUY DIRECT from BAUCO for best pricing and shortest lead time.

Size
_____ " Width(X) x _____ " Length (Y)

Thickness
 $\frac{1}{2}$ "
 $\frac{5}{8}$ "

Application
 Wall
 Ceiling

Latch Options

- (Standard) Mechanical Touch Latch
- Slotted Cam
- Torx Cam
- Keyed Lock

Inlay Options

- (Standard) Drywall
- Acoustic Board
- Plywood
- Cement Board

Time Saving Option

- Tile Backer Drywall
- Imperial Blue Board
- Double Layer

Paint-ready Finish

Project: _____
Client: _____
Approved by: _____
Date: _____



BAUCO® Plus II

Installation Overview

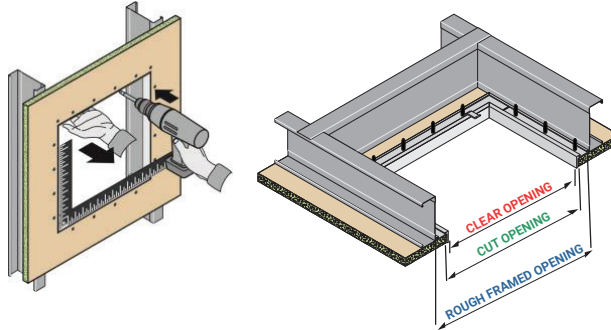
Watch our installation video on  YouTube



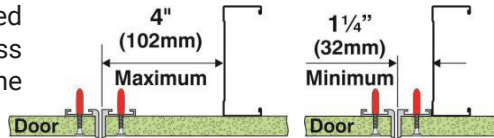
SCAN ME

Installation Overview

1. Access panel outer frame must be attached to the overlapping lip of drywall, not to the framework. Make sure the outer frame is square and straight when attaching it.

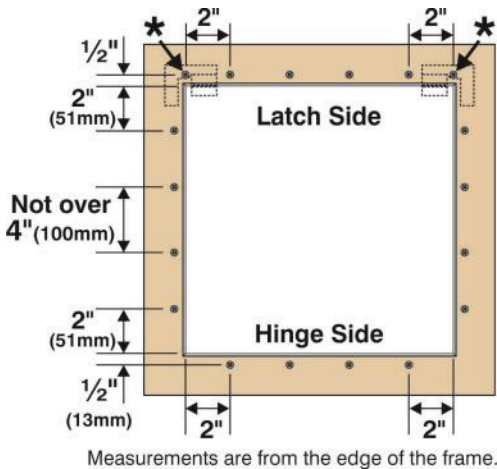


2. The structure surrounding the installed access panel must be rigid. Use blocking/cross members so no framing is more than 4" from the panel opening.

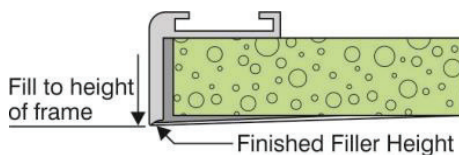
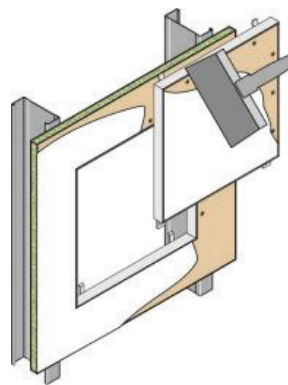


With suspended drywall grid systems, rigid steel support hangers must be used in the panel area to attach the grid to the fixed structure/slab.

3. Enough fasteners must be used to securely attach the access panel outer frame to the surrounding drywall. Specific screw locations must be followed.



4. The BAUCO Plus II requires finishing. The top edge of the outer frame and the door leaf frame are the finished height of the filler compound. Sand down to the frame.



Checklist

- Access Panel must be attached to drywall, straight & square
- Surrounding framework must be rigid
- Fastener pattern must be followed, with spacing no more than 4"
- Finished height must be equal to the height of the access panel outer and door leaf frames
- Filler must be sanded to height of access panel frames

Approved by:

Date:

BAUCO® Plus II

Installation Instructions

For Single Leaf Access Panels

Watch our installation video on  YouTube

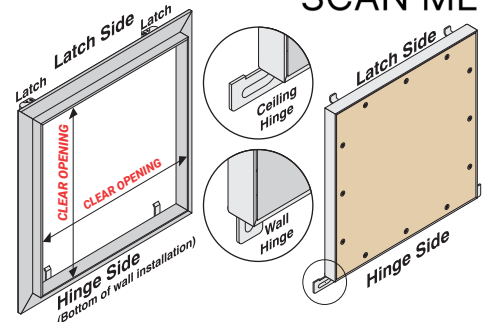


SCAN ME

Introduction & Key Concepts - Outer Frame and Door Leaf

The access panel outer frame mounts to the back of the drywall and is attached with self-drilling drywall screws through the face of the drywall. The dimensions of the **CLEAR OPENING** of the outer frame are used to determine the **CUT OPENING** (opening in the drywall) and the minimum **ROUGH FRAMED OPENING** (spacing of framing members).

The number group following the first 4 digits in the model number is the clear opening dimensions. Ex: An access panel with the Model Number 20-58-12/12 has a **12" x 12" CLEAR OPENING**.



NOTE: The door leaf is opened by pressing on the panel on the latch side. When released, the panel springs open.

For trouble-free installation observe the following:

- 1 The access panel outer frame must be screwed to the drywall every 4" or less with more precise attachment at the corners and through the base of all latch brackets.
- 2 The outer frame must be attached to the drywall square and straight. The unsecured outer frame is flexible, ensure it is mounted straight.
- 3 The wall or ceiling must be rigid. Wall or ceiling framing must ensure no flex or movement in drywall.
- 4 The top edge of the outer frame and the door leaf frame are the finished height of the filler compound. Sand down to the frame. **DO NOT OVERFILL.**

Standard Installation Method - Outer Frame located after drywall

The framing members need to be positioned around the intended cut opening in the drywall to allow space for the access panel outer frame.

After drywall is installed the **CUT OPENING** is made leaving a drywall lip inside the rough framed opening as shown. The access panel outer frame is then angled through the opening, positioned against the back of the drywall, and secured as shown.

Alternative methods for locating the outer frame, as well as a screw layout guide are on the next page.

Size of the **CUT OPENING** in drywall.

The **CUT OPENING** is the **CLEAR OPENING + 3/8"** (drywall opening size)

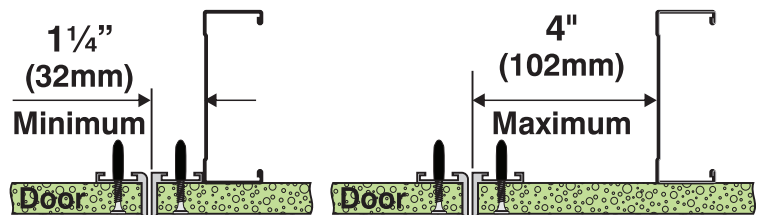
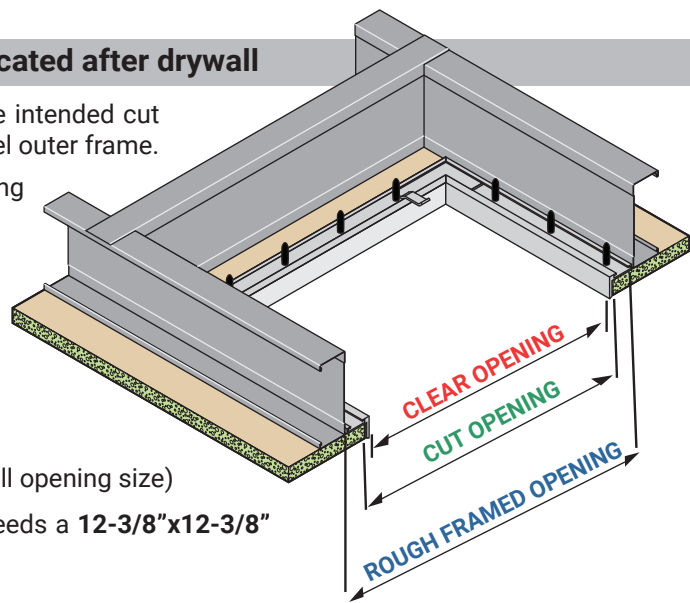
EX: A Model 20-58-C-12/12 with a **12"x12"** panel size needs a **12-3/8"x12-3/8"** **CUT OPENING** in the drywall.

Size of the **ROUGH FRAME OPENING**

The **ROUGH FRAME OPENING** is between **2-1/2"** and **8"** larger than the **CLEAR OPENING**.

The access panel does not need to be centered relative to the framing however must be within **4"** and at least **1-1/4"** from surrounding framing.

EX: For Model 20-58-C-12/12 with a **12"x12"** **CLEAR OPENING**, the minimum spacing of the framing members is **14-1/2" x 14-1/2"**.



BAUCO® Plus II

Installation Instructions

For Multi Leaf Access Panels

Watch our installation video on  YouTube



SCAN ME

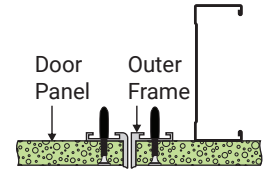
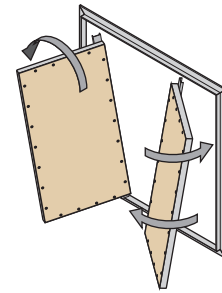
Introduction & Key Concepts - Access Panel Outer Frame

The access panel outer frame mounts to the back of the drywall and is attached with self-drilling drywall screws through the face of the drywall. The dimensions of the **CLEAR OPENING** of the outer frame are used to determine the **CUT OPENING** (opening in the drywall) and the minimum **ROUGH FRAMED OPENING** (spacing of framing members).

The number group following the first 4 digits in the model number is the clear opening dimensions. Ex: access panel with the Model Number 20-58-48/42 has a 48" x 42" **CLEAR OPENING**.

For trouble-free installation observe the following:

- 1 The access panel outer frame must be screwed to the drywall every 4" or less with more precise attachment at the corners and through the base of all latch brackets.
- 2 The outer frame must be attached to the drywall square and straight. The unsecured outer frame is flexible, ensure it is mounted straight.



NOTE: Remove the door leaves from the outer frame to begin the installation. The door leaf is opened by pressing on the latch side. When released, the panel springs open. Angle the door leaf in order to pass each through the outer frame.

- 3 The wall or ceiling must be rigid. Wall or ceiling framing must ensure no flex or movement in drywall.
- 4 The top edge of the outer frame and the door leaf frame are the finished height of the filler compound. Sand down to the frame. **DO NOT OVERFILL.**

Standard Installation Method - Outer Frame located after drywall

The framing members need to be positioned around the intended cut opening in the drywall to allow space for the access panel outer frame.

After drywall is installed the **CUT OPENING** is made leaving a drywall lip inside the rough framed opening as shown. The access panel outer frame is then angled through the opening, positioned against the back of the drywall, and secured as shown.

Alternative methods for locating the outer frame, as well as a screw layout guide are on the next page.

Size of the **CUT OPENING** in drywall.

The **CUT OPENING** (drywall opening size) is the **CLEAR OPENING + 3/8"**

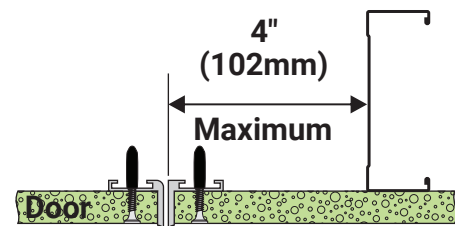
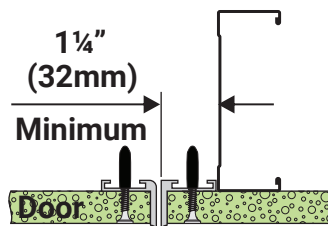
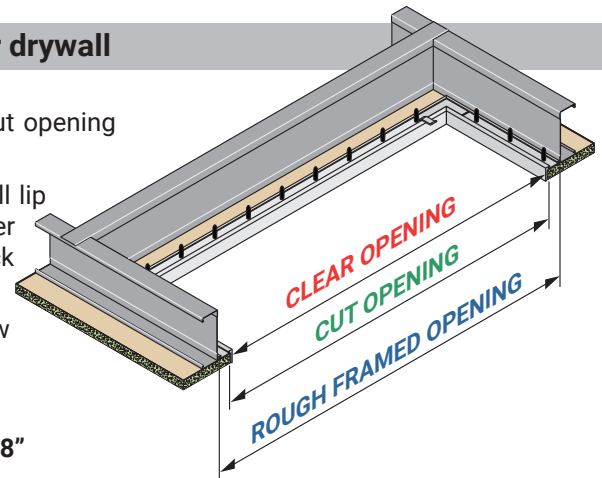
EX: A Model 20-58-24/36-2 has a 24"x36" **CLEAR OPENING** needs a 24-3/8"x-36-3/8" **CUT OPENING** in the drywall.

Size of the **ROUGH FRAMED OPENING**

The **ROUGH FRAMED OPENING** is between 2-1/2" and 8" larger than the **CLEAR OPENING**

The access panel does not need to be centered relative to the framing however must be within 4" and at least 1-1/4" from surrounding framing.

EX: For a model 20-58-60/30-2 with a 60" x 30" **CLEAR OPENING**: The minimum spacing of the framing members is 62½" x 32½".



BAUCO® commissioned 3rd party acoustic testing by The University of Alberta Mechanical Engineering Acoustics and Noise Unit (MEANU). Testing was carried out according to the ASTM E90 testing procedure, which tests sound transmission loss in one-third octave bands within the human audible range.

From this data STC rating was derived according to ASTM E413. A detailed test report available upon request.

Two test configurations were performed.

Wall configuration: The access panel was installed into an acoustically rated partition (STC-52). The panel was installed to one side of the partition, with the other side of the assembly remaining intact. This is representative of an acoustically rated wall between rooms.

Ceiling configuration: The access panel was installed to an acoustically rated partition with the opposing side of the partition removed to emulate a ceiling assembly.

The ratings observed were as follows:

Test wall without access panel installed	- STC 52
Wall with access panel with standard drywall inlay	- STC 49
Wall with access panel with acoustic drywall inlay	- STC 50
Wall with access panel with double layer standard inlay	- STC 49
Ceiling with access panel with standard drywall inlay	- STC 28
Ceiling with access panel with acoustic drywall inlay	- STC 31
Ceiling with access panel with double layer standard inlay	- STC 30

In walls, the BAUCO® Plus II access panel demonstrate superior acoustic properties, with only a 2-3 point reduction in the STC rating of the partition. In both wall and ceiling applications, the acoustic drywall inlay is more effective than the standard drywall double layer inlay.