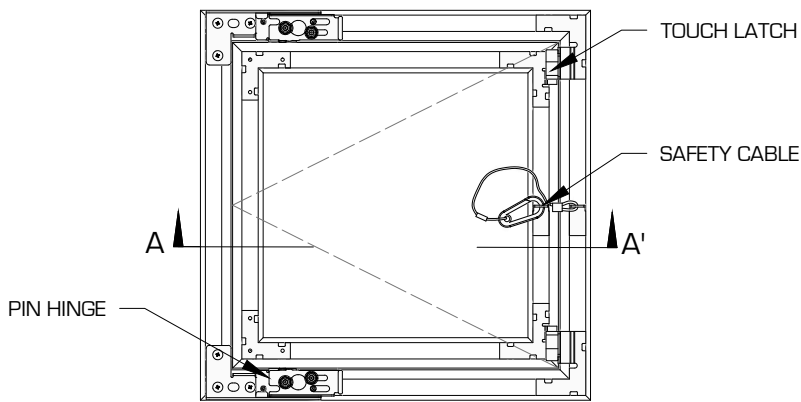
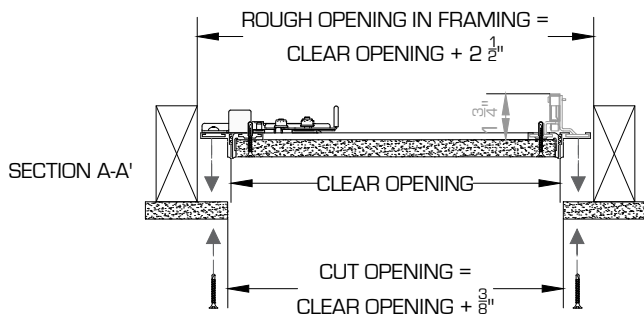


FRONT VIEW



REAR VIEW



STANDARD FEATURES

- Rear-mount frame
- For openings in 1/2" (12.7 mm) or 5/8" (15.9 mm) drywall walls and ceiling
- Concealed aluminum frame, hardware and mechanical touch latch
- Factory installed moisture/ mold resistant drywall inlay
- Frame acts as finishing bead
- 1/16" gap between frame and door leaf
- Virtually invisible finishing
- EPDM rubber perimeter gasket
- Good sound control with seal and mass of drywall inlay
- Fully removable door leaf with clip action hinge release
- Steel single pivot pin hinge and safety cable

Standard Sizes

(Custom sizes from 8 x 8" to a maximum 24 x 36". For Larger openings use double door design or the BAUCO XL or BAUCO Plus II.)

Access Panel Size (Clear Opening)		Weight	
Inch	mm	lbs-1/2"	lbs-5/8"
8 x 8"	203 x 203mm	2.5	2.9
10 x 10"	254 x 254mm	3.1	3.8
12 x 12"	305 x 305mm	3.8	4.7
14 x 14"	356 x 356mm	4.5	5.8
16 x 16"	406 x 406mm	5.3	7
18 x 18"	457 x 457mm	6.2	8.3
20 x 20"	508 x 508mm	7.2	9.8
24 x 24"	610 x 610mm	9.4	12.9
24 x 36"	610 x 914mm	12.8	18.2

BUY DIRECT from BAUCO for best pricing and shortest lead time.

Size _____ " Width(X) x _____ " Length(Y)

Thickness

- 1/2"
- 5/8"

Application

- Wall
- Ceiling

Latch Options

- (Standard) Mechanical Touch Latch
- Slotted Cam
- Torx Cam
- Keyed Lock

Inlay Options

- (Standard) Drywall
- Acoustic Board
- Imperial Blue Board
- Plywood
- Double layer Drywall

Time Saving Option

- Paint-ready Finish (Factory-primed door leaf. Ready to paint)

Project: _____

Client: _____

Approved by: _____

Date: _____

