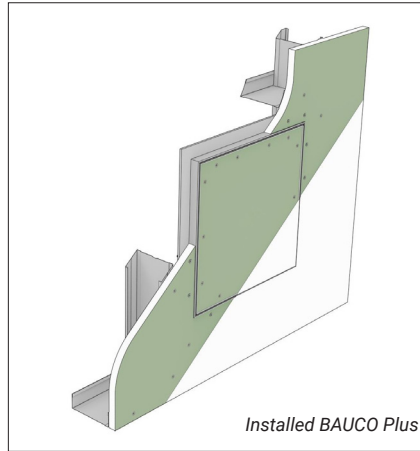


BAUCO Plus

Drywall Access Panel with rear-mount frame and fixed hinge

PRODUCT INFORMATION

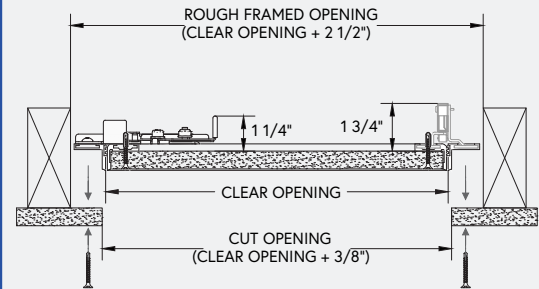
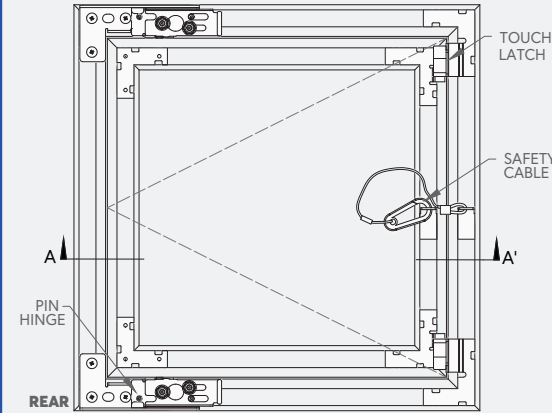


APPLICATIONS

- Access openings in 1/2" (12.7 mm) or 5/8" (15.9 mm) drywall walls and ceiling
- Cleanest finish possible required
- Standard and custom sizing and other customizations
- Ideal for access points that are frequently used or above reach. Fixed hinge provides ease of use and improved safety.
- Non-fire rated assemblies

DESCRIPTION

- Rear-mount frame
- Concealed frame, hardware and latch
- Factory installed drywall inlay
- Frame acts as finishing bead
- Virtually invisible continuous finish
- 1/16" perimeter gap
- Fully removable door leaf with clip action hinge release
- Fixed steel pin hinge and safety cable



Standard Sizes

(Custom sizes available upon request)

| Access Panel Size/ Clear Opening | | Weight | |
|-------------------------------------|-------------|----------|----------|
| Inch | mm | lbs-1/2" | lbs-5/8" |
| 8 x 8" | 203 x 203mm | 2.5 | 2.9 |
| 10 x 10" | 254 x 254mm | 3.1 | 3.8 |
| 12 x 12" | 305 x 305mm | 3.8 | 4.7 |
| 14 x 14" | 356 x 356mm | 4.5 | 5.8 |
| 16 x 16" | 406 x 406mm | 5.3 | 7 |
| 18 x 18" | 457 x 457mm | 6.2 | 8.3 |
| 20 x 20" | 508 x 508mm | 7.2 | 9.8 |
| 24 x 24" | 610 x 610mm | 9.4 | 12.9 |
| 24 x 36" | 610 x 914mm | 12.8 | 18.2 |

Cut Opening in Drywall = Clear OPENING Size + 3/8"

Rough Framed Opening = Clear OPENING Size + 2 1/2"

For detail, see submittal sheet.

Custom sizes from 8 x 8" to maximum 24 x 36" per door leaf. For larger openings use double door design or the BAUCO XL or BAUCO Plus II.

Call or email to connect.

SPECIFICATIONS

Materials: 6063-T6 aluminum frame with galvanized steel hardware and moisture and mold resistant drywall inlay

Latch: Concealed mechanical touch latch

Door leaf: Fully removable door leaf for full access

Hinge: Steel single pivot pin hinge with braided steel safety cable

Gasket: EPDM rubber perimeter gasket

Standard Latch

- Mechanical touch latch

Latch Options

- Keyed lock
- Cam latch (slotted or torx head)

Standard Finish

- Unfinished drywall inlay installed
- Ready to receive finish on site

Finish Option

- BAUCO Paint-ready. Factory-primed door leaf. Ready to paint.

Standard Inlay

- Moisture- and mold-resistant drywall

Inlay Options

- Acoustic Board
- Imperial Blue Board for plaster
- Plywood
- Double layer drywall