

**PRODUCT CATALOGUE - 01 / 21**



Welcome! This binder contains resources on all **BAUCO**<sup>®</sup> product groups, as well as our wide range of our custom-manufacturing capabilities and customer service offerings.

Our team of product and logistics specialists will work with you to design access panel solutions, work with your project managers on budgeting, and manage the delivery to your project site - on time and on budget!

Here you'll find reference projects, technical drawings, customer comments, and examples of finishing treatments.

Contact information and quote request form available online or call the Bauco team toll free!

**[www.accesspanelsolutions.com](http://www.accesspanelsolutions.com)**

**Toll Free: 1-877-592-0033**

**Local: 1-250-592-0033**

# PRODUCT OVERVIEW



## BAUCO® plus II

**Architectural access panels with concealed hardware and gypsum board inlay**

- Concealed hardware (frame, latch, and hinge)
- Ships with drywall installed
- Fully removable door
- Superior sound barrier



## BAUCO® paint-ready

**Durable, factory-primed door leaf option for BAUCO® access panels**

- Available as option with the BAUCO® plus II and BAUCO® rondo
- Door leaf finished flush and frameless, ready to paint
- Proven durability and humidity tested construction



## BAUCO® air

**Integration of air return and clean access openings, flush with surfaces**

- Frameless air-return grille
- Can install into any drywall surface
- Variety of core styles and sizes



## BAUCO® rondo

**Round access panel that blends with curved or oval design themes**

- Virtually invisible access
- Concealed hardware (frame, latch, and hinge)
- Ships with drywall installed
- Fully removable door



## BAUCO® XL

**Extra large, hinged, virtually invisible, access panel**

- Front mounted frame with finishing bead for all GWB
- Ships with drywall installed
- Fully removable door
- Superior sound barrier



## BAUCO® softline

**Galvanized sheet metal access door with soft transition frame**

- Concealed hardware (latch and hinge), touch latch or keyed
- Clean, white powder-coated finish, no painting required
- Mounts to studs, stone, brick, etc.
- Fully removable door



## BAUCO® plus

**Concealed hinge gypsum wallboard access door for wall or ceiling**

- Cam latch (optional touch, keyed, or torx latch)
- Ships with drywall installed
- Allows door to open to 90 degrees
- Perimeter gasket installed on site

## TABLE OF CONTENTS

Service Overview .....	5
Gallery of Installation Examples .....	7
Selected Projects Worldwide .....	13
Customer Testimonials .....	14
Custom Solutions .....	15
<b>BAUCO® plus II</b> (Access panel designed for drywall) .....	<b>16</b>
Description .....	18
Standard Size Chart .....	20
Installation Instructions .....	25
Specifications .....	22
LEED Statement .....	29
Acoustics .....	31
<b>BAUCO® paint-ready</b> (Factory primed door leaf option).....	<b>32</b>
Description .....	33
Installation Instructions .....	34
<b>BAUCO® air</b> (Clean air return grille) .....	<b>39</b>
Description .....	40
Finishing .....	43
<b>BAUCO® softline</b> (Soft edge metal door).....	<b>45</b>
Description .....	46
Standard Size Chart .....	48
Specifications .....	49
<b>BAUCO® rondo</b> (Circular panels for drywall) .....	<b>52</b>
Description .....	53
Installation .....	55
<b>BAUCO® XL</b> (Extra large, hinged, virtually invisible, access panel).....	<b>57</b>
Description .....	58
Standard Size Chart .....	59
Specifications .....	60
Installation Instructions .....	61
<b>BAUCO® plus</b> (Access door for drywall) .....	<b>63</b>
Description .....	64
Standard Size Chart .....	66
Installation Instructions .....	70
Specifications .....	68
LEED Statement .....	72
Product Comparison .....	73
<b>BAUCO® plus II</b> Panel Specifications.....	<b>74</b>



## SERVICE OVERVIEW

Let us solve your design problems with our proven process!



**BAUCO**® offers skilled technical advice for your most challenging projects.

You can spend many hours choosing the perfect finishes and creating the best spaces only to have them marred by unsightly access to service installations. At Bauco Access Panel Solutions Inc. we use quality materials and intelligent design to solve your access problems, while protecting the beauty and integrity of your designs and finishes.

## PROVEN PROCESS

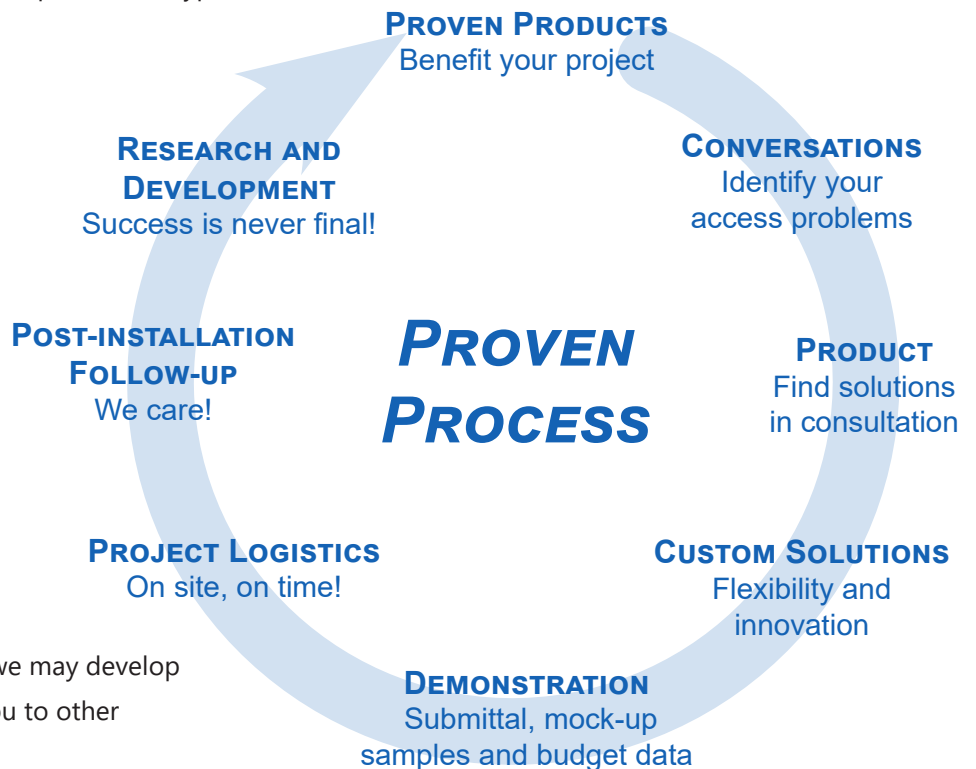
Our staff follows a proven process to work with you and your construction team from product selection, over mock-up sample, submittal documents and logistics to sales follow-up. Our experience benefits your project.

## SPECIFICATION ADVICE

Our product specialists work with you to determine the optimal solution to your access panel problem. A typical conversation between client and product specialist touches on:

- » Access panel design and size
- » Orientation, latch options
- » Surface finishes
- » Alignment with other design features
- » Security, acoustics
- » Budgets, timing, samples
- » mock-ups, submittal drawings
- » Job-site logistics, project management, etc.

If we don't have a ready solution, we may develop one exclusively for you or direct you to other experienced suppliers.





Our customer service specialists provide budget and logistical support.

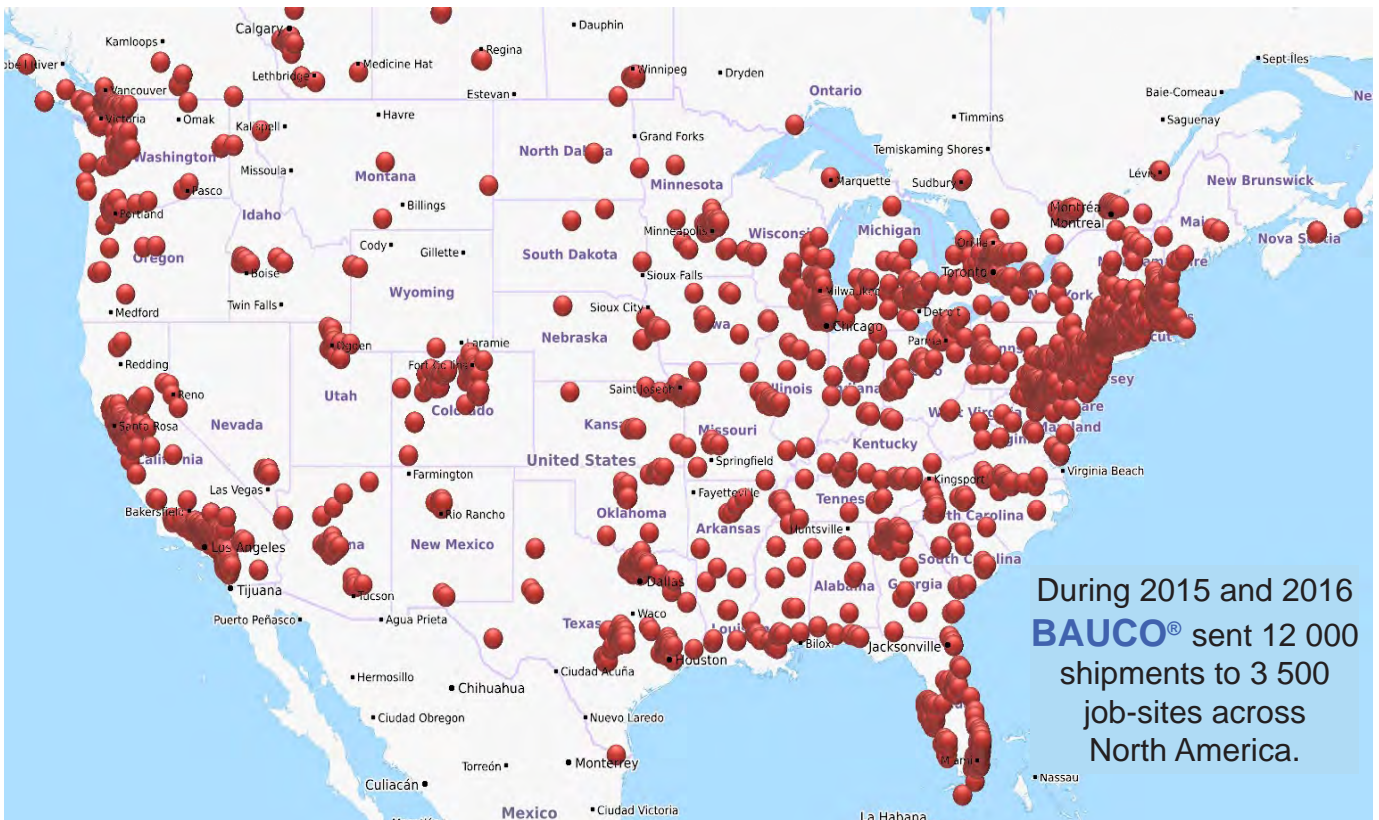
## LOGISTICS

With our customer base spread around the globe, we have had to develop the project management skills necessary to deliver our solutions on time and on budget. Wherever your next job may be, we work with you and your trades to meet their schedules.

Our customer service specialists are standing by, Email your technical inquiries or call us today.



Deadlines are very important to you, and us! We always meet your shipping dates.

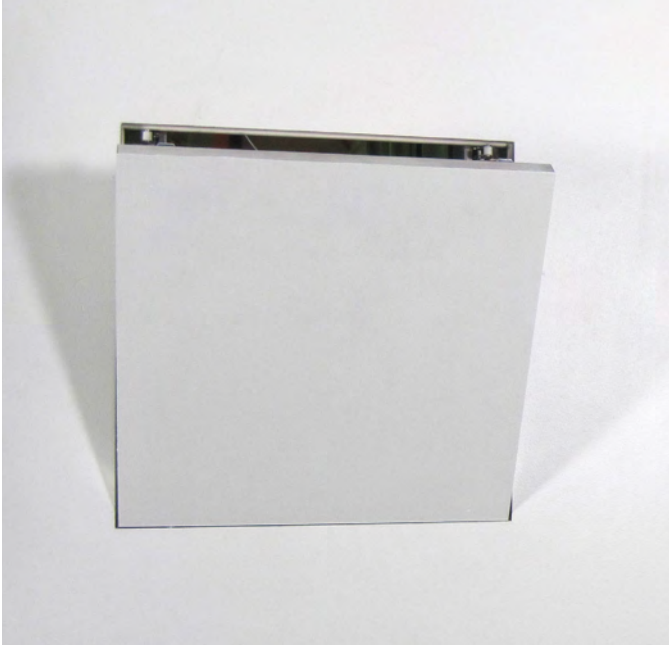
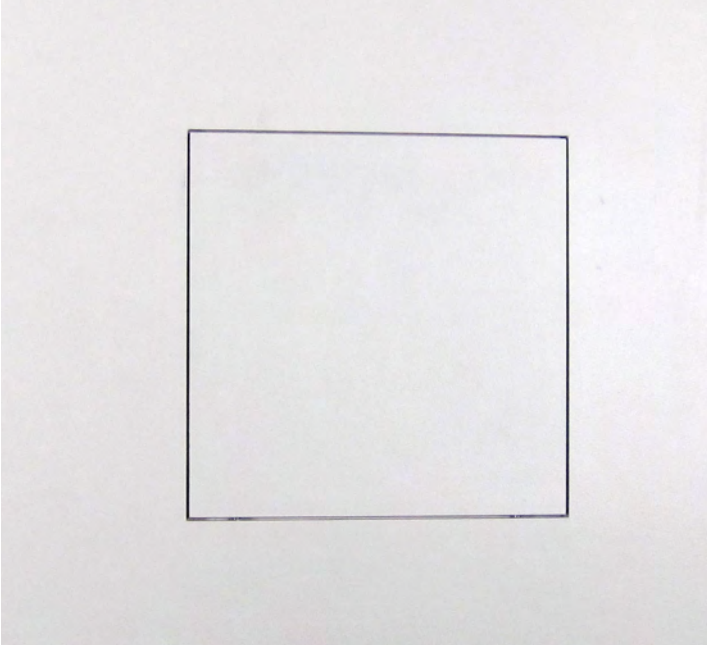




**GALLERY OF INSTALLATION EXAMPLES**

**BAUCO® plus II**

Access panels designed for drywall



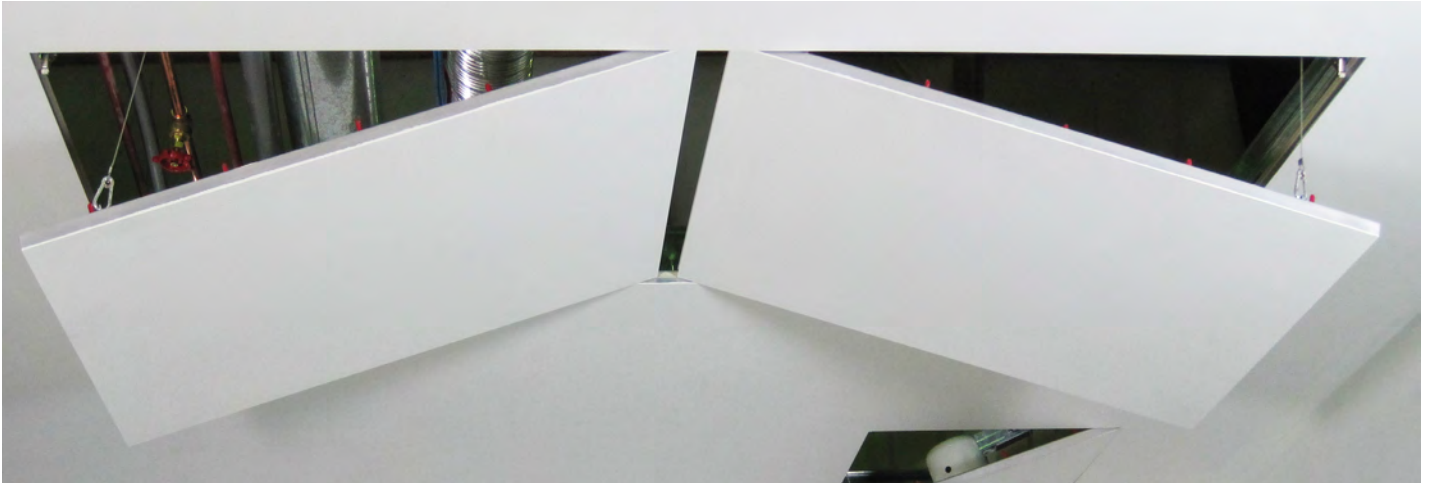
Ceiling Installation in Las Alcobas Resort - Mexico City

## GALLERY OF INSTALLATION EXAMPLES

# BAUCO® plus II Multi-leaf Access Panels

### 'Butterfly' style

Custom sizes, inlays, hardware, gasket, locks, and latches available

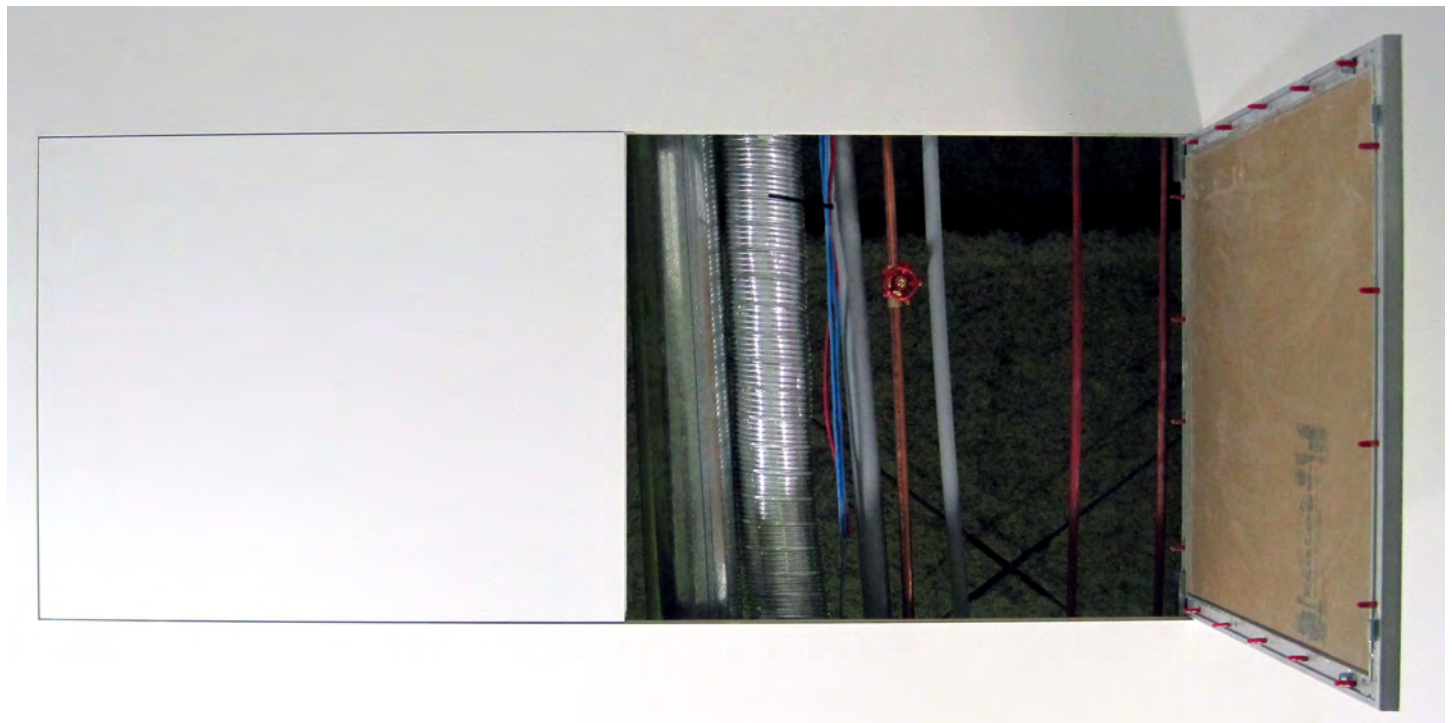


## GALLERY OF INSTALLATION EXAMPLES

### **BAUCO® plus II** Multi-leaf Access Panels

**'Bomb Bay' style** - size restrictions apply

Custom sizes, inlays, hardware, gasket, locks, and latches available



Looking directly up at a ceiling installation



## GALLERY OF INSTALLATION EXAMPLES

# BAUCO® plus II - Applications

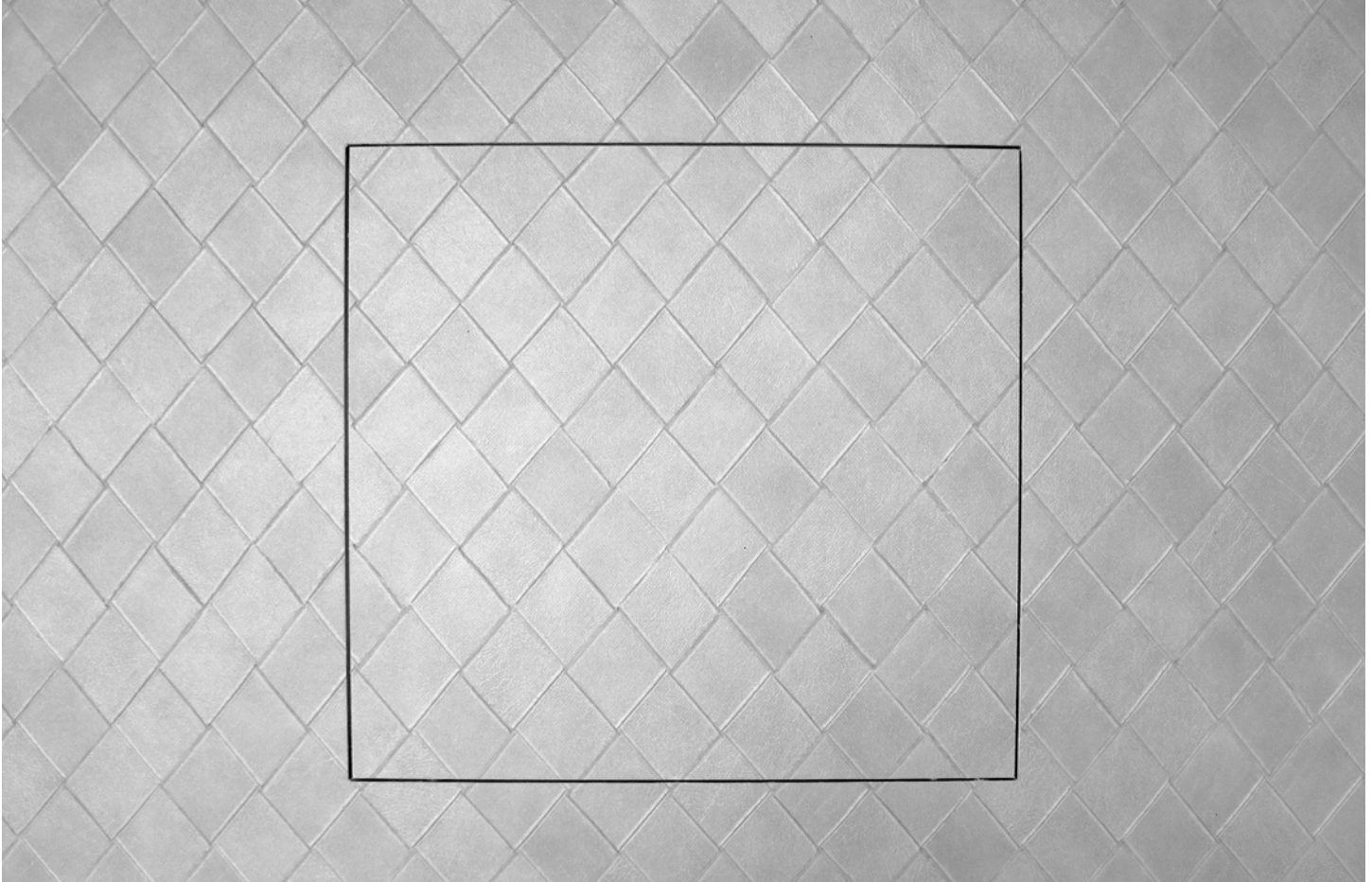




## GALLERY OF INSTALLATION EXAMPLES

### **BAUCO® plus II** Veneer and Wallpaper

Our Panels Accept a variety of finishes including:  
Paint, Tile, Wallpaper, Vinyl Coverings,  
Millwork, Wood, Plaster, Stucco

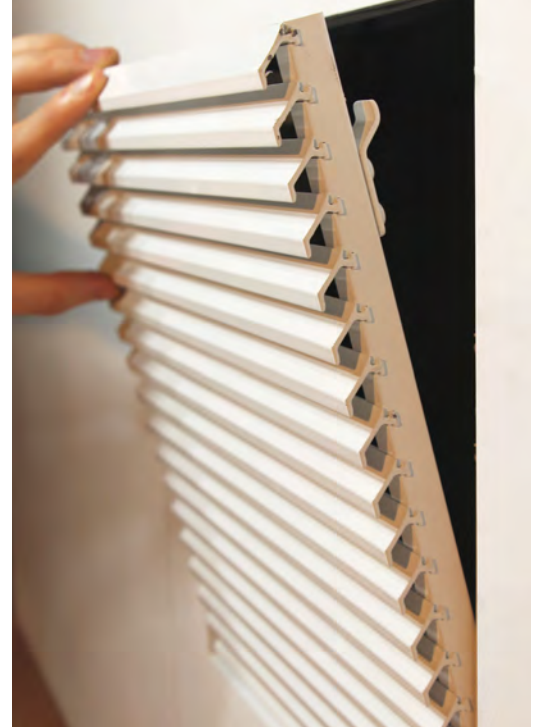




## GALLERY OF INSTALLATION EXAMPLES

### BAUCO® air

Integrated air return grill with our **BAUCO® plus II** access panel, or other drywall surfaces



### BAUCO® rondo



# SELECTED PROJECTS WORLDWIDE

## UNITED STATES

- **Hotels**

Chelsea Dynasty, New York, NY  
Hyatt Regency New Orleans, New Orleans, LA  
Manchester Grand Hyatt, San Diego, CA  
Hyatt Hotel East, Dallas, TX  
Baltimore Hyatt, Baltimore, MD  
Hilton Franchise Development, Approved Vendor  
Ritz-Carlton Orleans Hotel, New Orleans, LA  
Omni Royal Crescent Hotel, New Orleans, LA  
Marriott Harbor Beach Hotel, Hollywood, FL  
Castle & Cook Resort, Lanai City, HI  
The Edgewater Noble House Hotels, Daytona Beach, FL  
Bel Age Hotel, Hollywood, CA  
Four Seasons Hotel and Residence, Seattle, WA  
Majestic Hotel, New York, NY  
Sheraton Hotel, Greensboro, NC

- **Casinos**

Wynn, Las Vegas, NV  
Motor City Casino, Detroit, MI  
Pinnacle Hotel & Casino, Baton Rouge, LA

- **Condominiums**

One Ala Moana, Honolulu, HI  
One 57, New York, NY  
Optima Biltmore Towers, Scottsdale, AZ  
Multiple Residential Renovations, New York, NY  
Point Loma Tennis Club, San Diego, CA

- **Government**

Illinois State Capital, Springfield, IL  
FBI Academy, Quantico, VA

- **Shopping Centers**

Bloomington at Perimeter Mall, Atlanta, GA

- **Museums**

Museum of Contemporary Art, New York, NY

- **Airports**

Jacksonville International Airport, Jacksonville, FL  
JFK International Airport, American Airlines, New York, NY

- **Retail & Commercial Buildings**

Rodeo Drive, Various, Hollywood, CA  
Canali Retail Stores, New York, NY  
Gucci Retail Store, Honolulu, HI  
Tourneau Caesars Forum Shops, Las Vegas, NV  
Microsoft Building, Boulder, CO  
Bank of America, Rockefeller Plaza, New York, NY  
Dobson Communication, Oklahoma City, OK

## MIDDLE EAST

Kuwait Diplomatic Headquarters, Egypt  
Borj Al-Jewar Development, Jeddah, Saudi Arabia

## CANADA

- **Hotels**

Westin Bear Mountain Victoria, BC  
Fairmont Empress Hotel & Spa, Victoria, BC  
Hyatt Regency Hotel, Calgary, AB  
Telus Conference Centre, Calgary, AB

- **Casinos**

Niagara Gateway Casino, Niagara Falls, ON

- **Shopping Centers**

West Edmonton Mall, Edmonton, AB  
The Pen Centre, St. Catharines, ON

- **Condominiums**

Four Seasons Residence, Toronto, ON  
The Berzy, Toronto, ON  
The Hudson, Victoria, BC  
500 Wellington Condominiums, Toronto, ON

- **Schools**

Simon Fraser University Downtown, Vancouver, BC  
Simon Fraser University City Centre, Surrey, BC  
University of Alberta Edmonton Campus, Edmonton, AB  
University of Alberta Calgary Campus, Calgary, AB  
National Ballet School of Canada, Toronto, ON  
Ryerson Institute, Dean's Office, Toronto, ON

- **Government**

Canadian Parliament Buildings - East Block, Ottawa, ON

- **Hospitals**

Fort McMurray Hospital, Fort McMurray, AB  
Royal Alexandria Hospital, Edmonton, AB  
Sick Children's Hospital, Toronto, ON  
Royal Jubilee Patient Care Centre, Victoria, BC

- **Museums**

Royal Ontario Museum, Toronto, ON

- **Airports**

Edmonton International Airport, Edmonton, AB

- **Retail & Commercial Buildings**

Rogers Stores, All Across Canada  
Vancouver Trade & Convention Centre, Vancouver, BC

## LATIN AMERICA & CARIBBEAN

- **Hotels**

Venetian Tower, Puerto Rico  
Ritz-Carlton Grand Cayman, Puerto Rico  
Caribbean Hilton Hotel, San Juan, Puerto Rico  
Paradise Club Resort, The Bahamas  
Sandy Cove Resort, St. James, Barbados  
Fairmont South Hampton Princess, Bermuda  
Condominium Residence, Costa Rica  
Lifestyle Holiday Vacation Club, Dominican Republic  
Marriott Aruba Surf Club, Dutch Caribbean

## CUSTOMER TESTIMONIALS

### CONTRACTORS

“The installation went very well, and I think the access panels work great. We’ve received quite a few comments from the architect and the users of the space that they’re quite impressed with the access doors. Also, I think that the fact that the door can be completely removed from the opening is a much more functional option than the traditional fixed hinged door.”

*-Construction, Edmonton AB*

“Your design (custom door with integrated air return grille) makes the installation aspect of the project simple and hassle free which is what our client is looking for. Also it appears to be quite cost effective.”

*-Wall and Ceiling Contractor*

“The 48” x 48” worked out great. It looks so crisp. The best I have installed.”

*-Drywall & Acoustics, NY*

“Everything went great... I was very pleased with your company, service, and product... We have gotten a lot of positive comments on the panels.”

*-General Contractor*

“We have asked a number of designers to start specifying your product. Other MDF type of panels are subject to shrinkage and we have had a lot of cracking. With yours this is never an issue. Keep up the good work.”

*-Interior Contractor, Calgary*

### ARCHITECTS

“The hotel was very impressed with the stealthiness of the panels. Once they saw the panel covered with the corridor wall paper and only the 1/16” reveal around the unit they decided it was the best access panel situation we could ever hope for.”

*-Architect, Louisiana*

“Everything went very well. The owner as well as our CG really like the product, ... we should use it in more of our projects that require access panels.”

### DEVELOPERS

“I’m very satisfied with product quality, turnaround time, and process handling. Friendly support made everything go smoothly. 5 stars shopping experience!”

*-Developer*

### PROPERTY MANAGERS

“I would strongly recommend your product and your company given the excellent, knowledgeable, and service you provide.”

*-Lord Shivas Properties LLC, NY*

“I always recommend your panels to clients, architects and designers, and they find your website helpful. I like the **BAUCO® plus II**, the corners on the panel don’t have the radius’s, and you eliminated the hardware to operate the hasp, which was always finicky to plaster and paint in. The touch latch is an improvement.”

*-Management Co., NY*

# CUSTOM SOLUTIONS

## SINGLE DOOR CUSTOM SIZES

Examples of custom sizes

27" x 54", 14½" x 28", 6¼" x 42"

## MULTI-LEAF DOOR CUSTOM SIZES

- Multi-leaf doors can be customized to suit most large openings
- Multiple, hinge-less, fully removable sections
- No center bar
- Double leaf doors typically hinge in the center
- Door leaves can be removed for full access

Examples of custom sizes

36" x 80", 32½" x 56", 66" x 78"

## LATCH OPTIONS

Touch Latch



Keyed Lock



CAM Latch

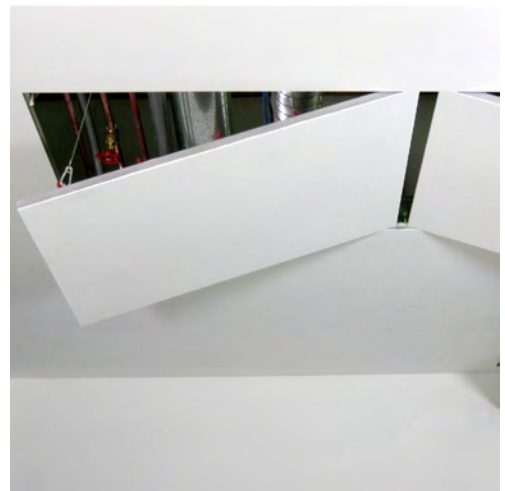


TORX Latch



## CUSTOM INLAY OPTIONS

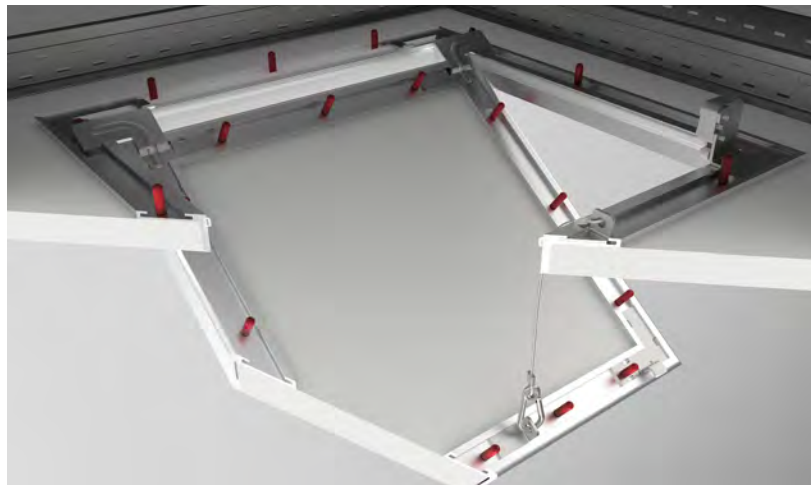
- Additional GWB Layers
- Tile Backer Board
- Acoustical Inlay Options
- Cement Board
- Imperial Veneer Plasterboard
- Fiberboard (MDF)
- Preparation Wood Inlay/Veneer
- **BAUCO® paint-ready** - Durable, flush-finished and factory-primed door leaf



# BAUCO® plus II

## Virtually invisible access panels

Standard sizes from 6" x 6" to 24" x 36"



### Custom Sizes in increments of 1/16"

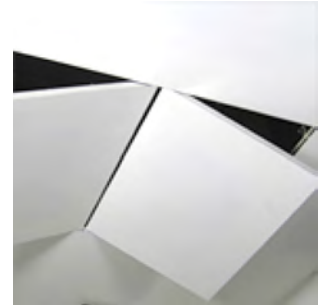
Minimum dimension of length or width is 6". Door sizes can be in increments of 1/16". Larger access panels may need to be manufactured as multi-leaf doors.



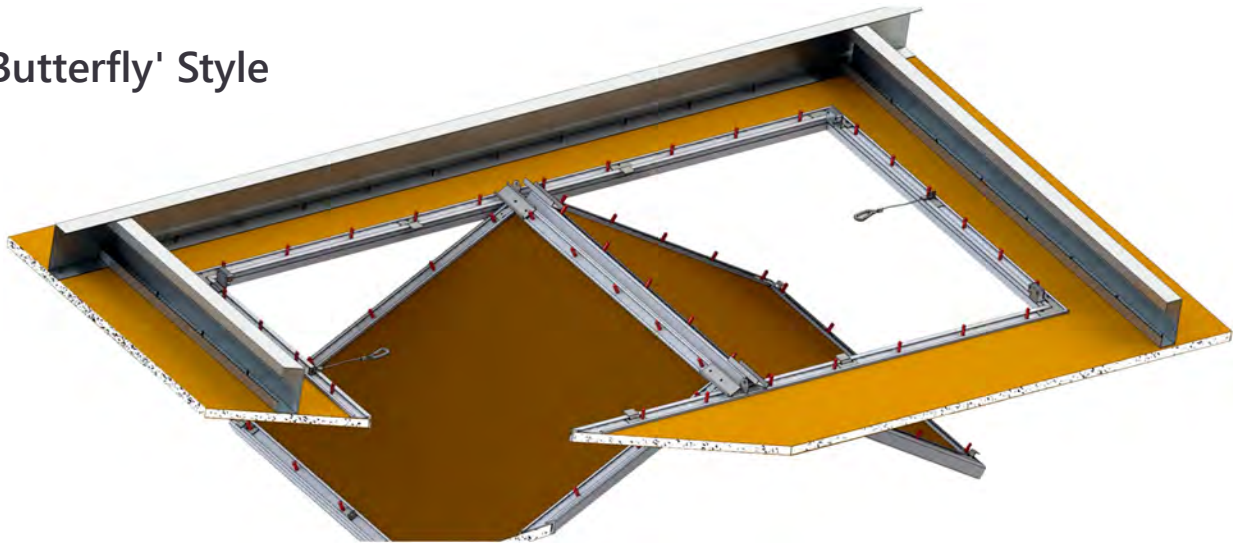
# BAUCO® plus II

Virtually Invisible Access Panels

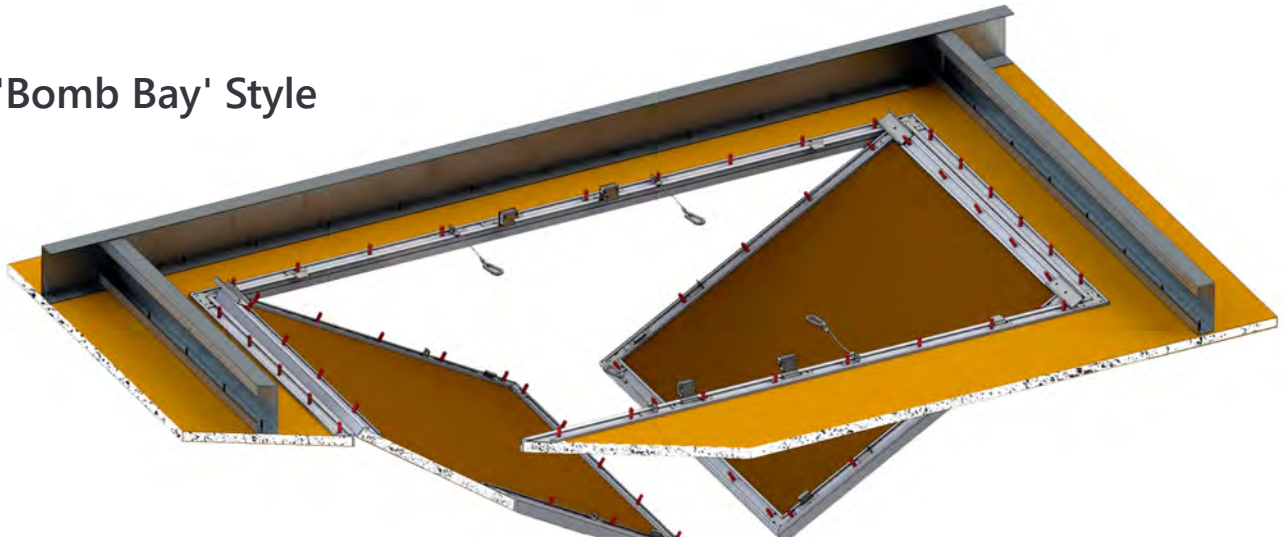
MULTI-LEAF CUSTOM DOORS



'Butterfly' Style



'Bomb Bay' Style



**BAUCO® plus II** panels can be manufactured as multi-leaf doors in Butterfly and Bomb Bay styles. There are no cross bars at the center on either design, just a continuous clear opening.

Note: Clear opening, no cross bar. Size restrictions apply to Bomb Bay style.

# BAUCO<sup>®</sup> plus II

## DESCRIPTION

The **BAUCO<sup>®</sup> plus II** is a gypsum wallboard access panel with concealed hardware that blends seamlessly into your wall or ceiling. Once installed and finished to match the surrounding area, a clean 1/16" reveal is all that remains visible. All elegant and functional surface treatments can be applied to the **BAUCO<sup>®</sup> plus II**. A continuous perimeter gasket in the frame guarantees acoustical integrity of the solid **GWB**. The **BAUCO<sup>®</sup> plus II** is available in a wide range of custom sizes.

## FOR USE IN

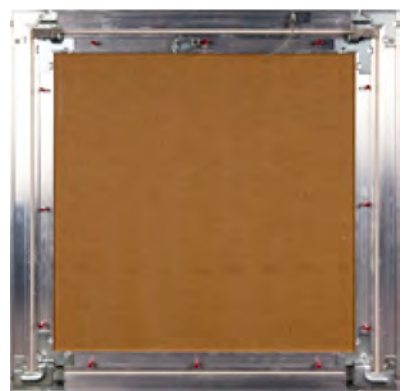
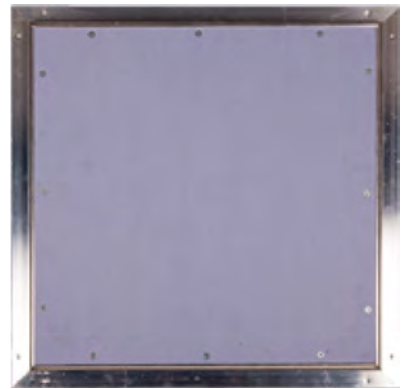
- All assemblies clad in gypsum wallboard, 1/2" or 5/8"
- Wall or ceiling installation
- New construction or repairs
- Rough openings in **GWB** independent of joists/studs
- This product is not fire rated

## BENEFITS

- Virtually invisible access opening
- 1/16" (2 mm) visible gap
- Clean, continuous surfaces without visible hardware
- Variety of finishing options
- Superior acoustics with gasket and mass of **GWB** in door
- Maximum clearance with removable door leaf
- Custom sizes, custom inlays, and custom hardware

## STANDARD FEATURES

- Concealed mechanical touch latch
- Moisture and mold resistant **GWB** inlay
- Strong concealed aluminum frame and hardware
- Removable door leaf with safety cables
- EPDM rubber perimeter gasket (air and smoke tight)
- **Custom Sizes Available**
- **Inlay & Hardware Options**



## LATCH OPTIONS

Touch Latch



Keyed Lock



CAM Latch

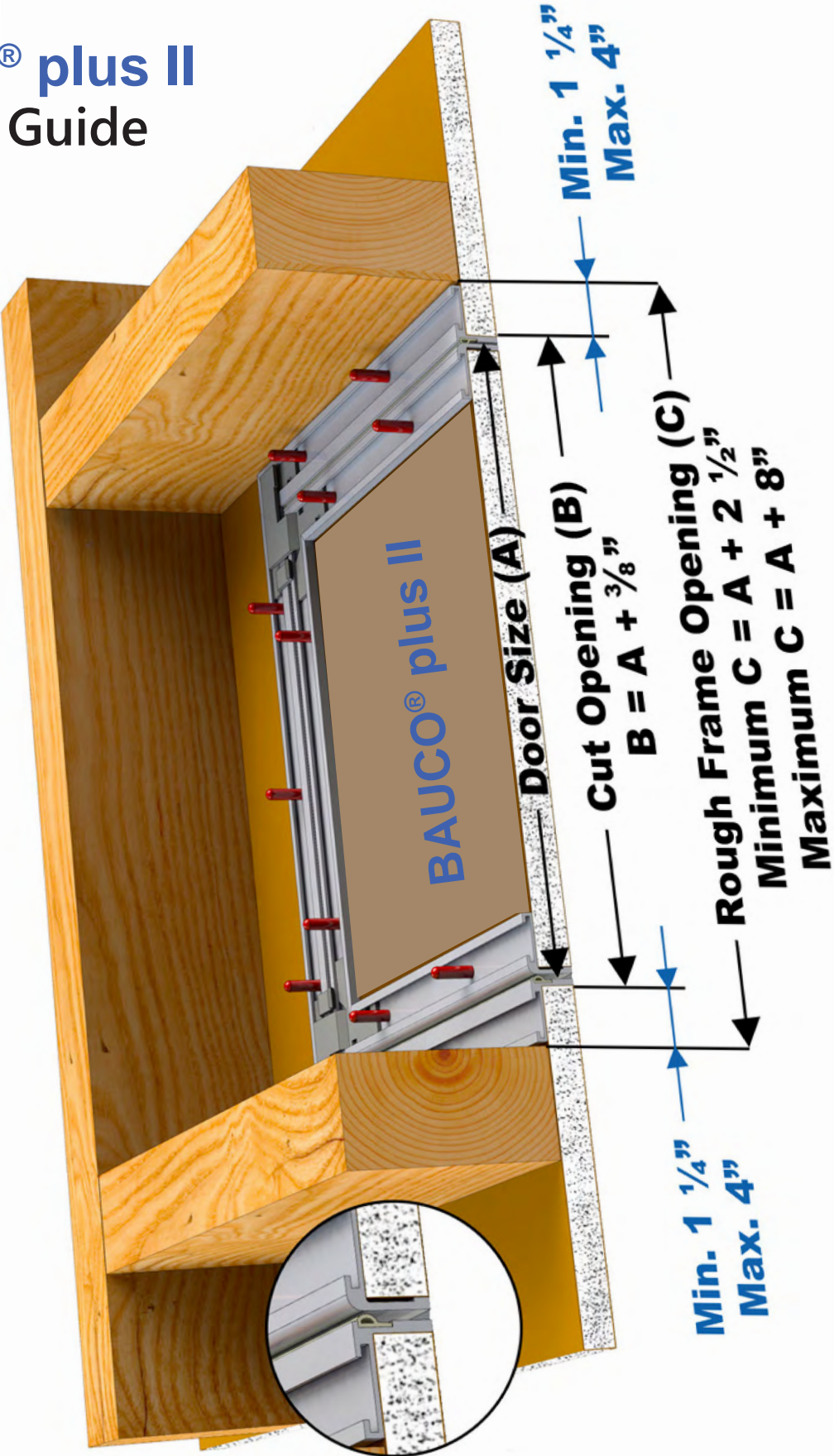


TORX Latch





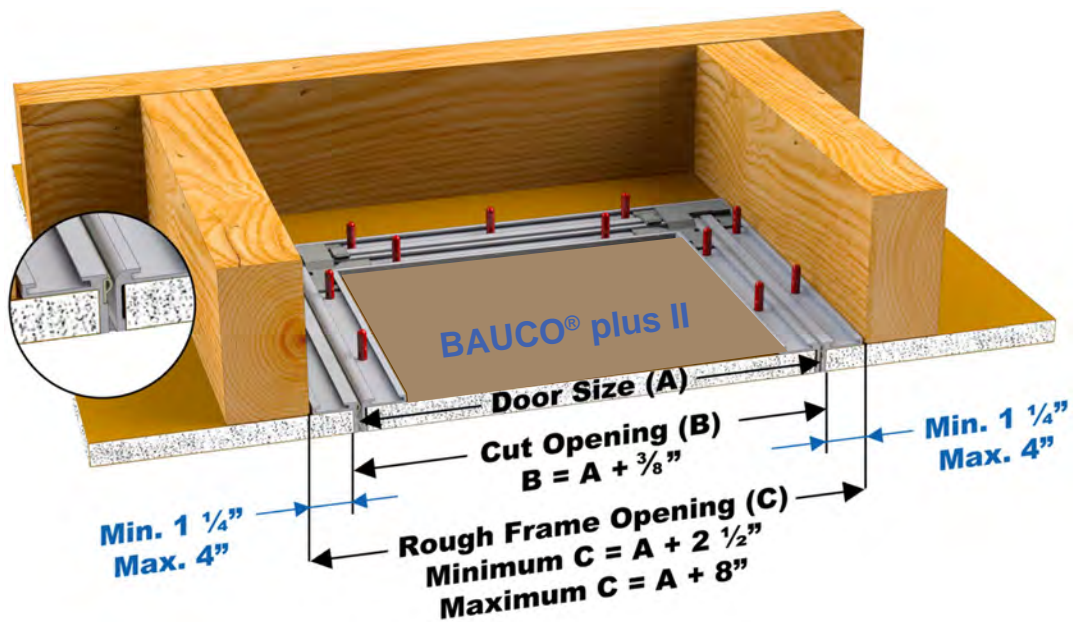
# BAUCO® plus II Framing Guide



# BAUCO® plus II

## IMPERIAL SIZE CHART FOR STANDARD SIZES

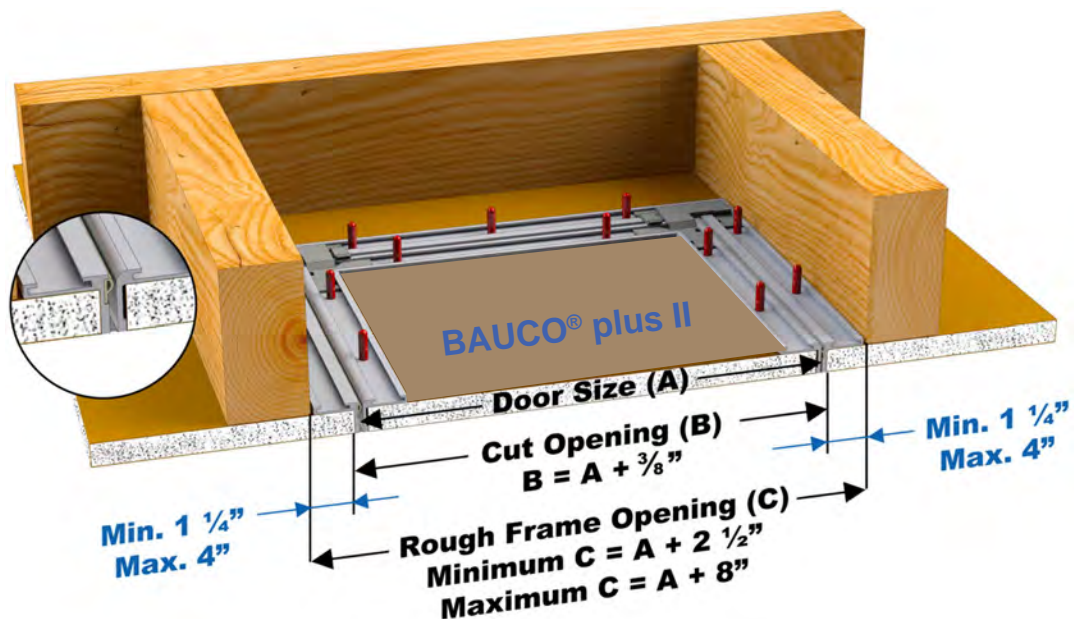
Model Number		(A)	(B)	(C)
1/2" Gypsum Wallboard	5/8" Gypsum Wallboard	Door Size (A) Width x Length	Cut Opening in GWB (B) Width x Length	Rough Opening (C) Width x Length
20-12-0606	20-58-0606	6" x 6"	6 3/8" x 6 3/8"	8 1/2" x 8 1/2"
20-12-0808	20-58-0808	8" x 8"	8 3/8" x 8 3/8"	10 1/2" x 10 1/2"
20-12-1010	20-58-1010	10" x 10"	10 3/8" x 10 3/8"	12 1/2" x 12 1/2"
20-12-1212	20-58-1212	12" x 12"	12 3/8" x 12 3/8"	14 1/2" x 14 1/2"
20-12-1414	20-58-1414	14" x 14"	14 3/8" x 14 3/8"	16 1/2" x 16 1/2"
20-12-1616	20-58-1616	16" x 16"	16 3/8" x 16 3/8"	18 1/2" x 18 1/2"
20-12-1818	20-58-1818	18" x 18"	18 3/8" x 18 3/8"	20 1/2" x 20 1/2"
20-12-2020	20-58-2020	20" x 20"	20 3/8" x 20 3/8"	22 1/2" x 22 1/2"
20-12-2424	20-58-2424	24" x 24"	24 3/8" x 24 3/8"	26 1/2" x 26 1/2"
20-12-2436	20-58-2436	24" x 36"	24 3/8" x 36 3/8"	26 1/2" x 38 1/2"
Access door sizes are based on inside dimensions, door size (A)		Inside dimensions, opening in door frame	Door size (A) + 3/8"	Door size (A) + 2 1/2" Allows 1/8" play on either side



# BAUCO® plus II

## METRIC SIZE CHART FOR STANDARD SIZES

Model Number		(A)	(B)	(C)
1/2" Gypsum Wallboard	5/8" Gypsum Wallboard	Door Size (A) Width x Length	Cut Opening in GWB (B) Width x Length	Rough Opening (C) Width x Length
20-12-0606	20-58-0606	152 mm x 152 mm	162 mm x 162 mm	216 mm x 216 mm
20-12-0808	20-58-0808	203 mm x 203 mm	213 mm x 213 mm	267 mm x 267 mm
20-12-1010	20-58-1010	254 mm x 254 mm	264 mm x 264 mm	318 mm x 318 mm
20-12-1212	20-58-1212	305 mm x 305 mm	315 mm x 315 mm	369 mm x 369 mm
20-12-1414	20-58-1414	356 mm x 356 mm	366 mm x 366 mm	420 mm x 420 mm
20-12-1616	20-58-1616	406 mm x 406 mm	416 mm x 416 mm	470 mm x 470 mm
20-12-1818	20-58-1818	457 mm x 457 mm	467 mm x 467 mm	521 mm x 521 mm
20-12-2020	20-58-2020	508 mm x 508 mm	518 mm x 518 mm	572 mm x 572 mm
20-12-2424	20-58-2424	610 mm x 610 mm	620 mm x 620 mm	674 mm x 674 mm
20-12-2436	20-58-2436	610 mm x 914 mm	620 mm x 924 mm	674 mm x 978 mm
Access door sizes are based on inside dimensions, door size (A)		Inside dimensions, opening in door frame	Door size (A) + 10 mm	Door size (A) + 64 mm Allows 32 mm play on either side



# BAUCO PLUS II SINGLE LEAF CEILING ACCESS PANEL - TOUCH LATCH

## FOR USE IN:

- ASSEMBLIES CLAD IN GYPSUM WALLBOARD 1/2" (13 mm) OR 5/8" (16 mm)
- NEW CONSTRUCTION OR REPAIRS
- ROUGH OPENINGS IN GWB WITHOUT ABUTTING STRUCTURES

## FRAME:

- RECESSED ALUMINUM EXTRUSIONS
- FRAME ACTS AS FINISHING EDGE
- 1/16" (2 mm) GAP BETWEEN FRAME AND DOOR

## STANDARD FEATURES:

- STRONG CONCEALED ALUMINUM FRAME AND HARDWARE
- CONCEALED MECHANICAL TOUCH-LATCH
- LIFT-OUT DOORS WITH SAFETY CABLES
- MOISTURE RESISTANT GWB INLAY
- PERIMETER GASKET (AIR & SMOKE TIGHT)

## HINGE:

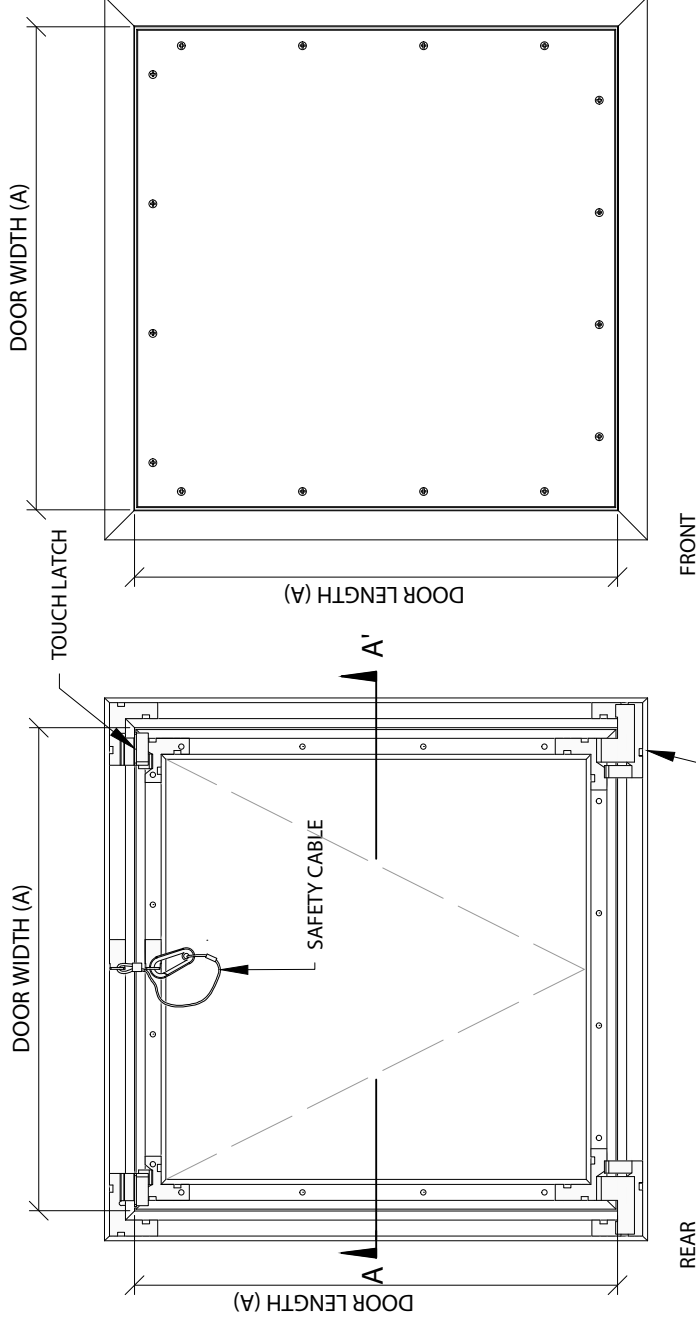
- FREE PIVOTING HINGE
- DOOR CAN BE REMOVED FOR MAXIMUM CLEARANCE

## SOUND TRANSMISSION:

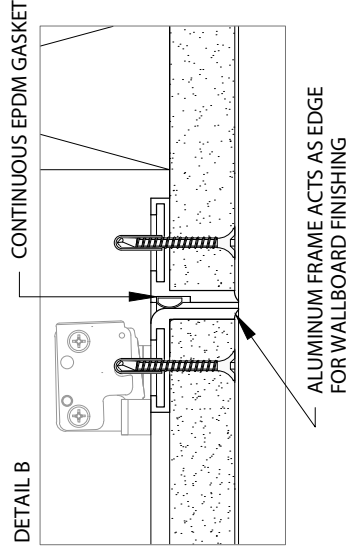
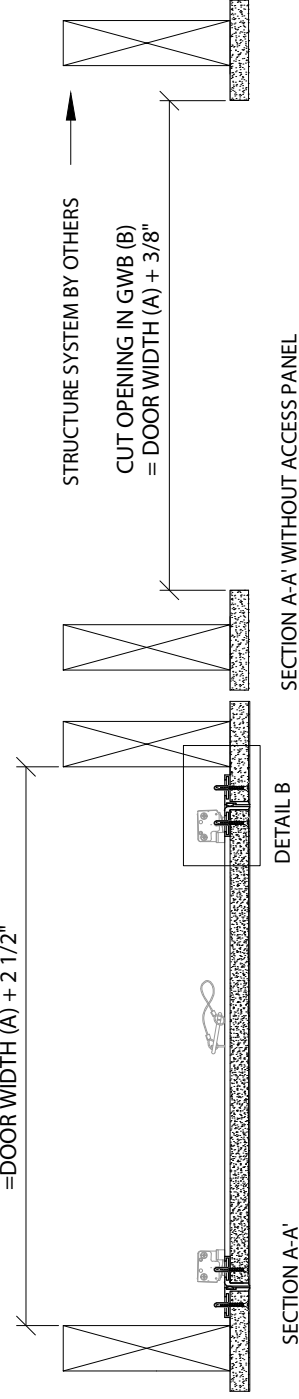
- BAUCO PLUS II ACCESS PANELS WILL NOT REDUCE THE STC RATING OF THE ASSEMBLY

## LATCH:

- CONCEALED TOUCH LATCH (STANDARD)
- CAM LATCH (OPTIONAL)
- TAMPER RESISTANT CAM LATCH (OPTIONAL)
- KEYED LOCK (OPTIONAL)

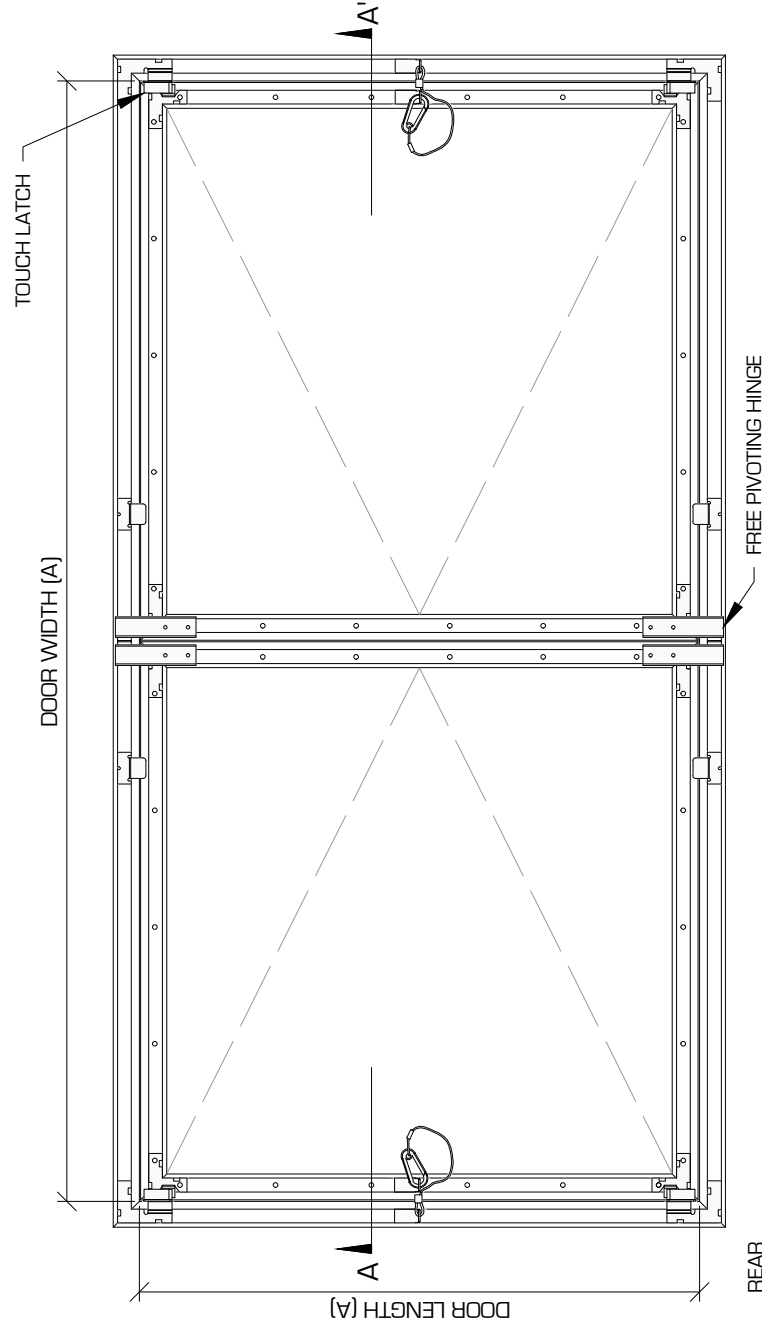


ROUGH OPENING (C)  
= DOOR WIDTH (A) + 2 1/2"





# BAUCO PLUS II DOUBLE LEAF CEILING ACCESS PANEL - TOUCH LATCH



**FOR USE IN:**

- ASSEMBLIES CLAD IN GYPSUM WALLBOARD 1/2" (13 mm) OR 5/8" (16 mm)
- NEW CONSTRUCTION OR REPAIRS
- ROUGH OPENINGS IN GWB WITHOUT ABUTTING STRUCTURES

**FRAME:**

- RECESSED ALUMINUM EXTRUSIONS
- FRAME ACTS AS FINISHING EDGE
- 1/16" (2 mm) GAP BETWEEN FRAME AND DOOR

**STANDARD FEATURES:**

- STRONG CONCEALED ALUMINUM FRAME AND HARDWARE
- CONCEALED MECHANICAL TOUCH-LATCH
- LIFT-OUT DOORS WITH SAFETY CABLES
- MOISTURE RESISTANT GWB INLAY
- PERIMETER GASKET (AIR & SMOKE TIGHT)

**HINGE:**

- FREE PIVOTING HINGE
- DOOR CAN BE REMOVED FOR MAXIMUM CLEARANCE

**SOUND TRANSMISSION:**

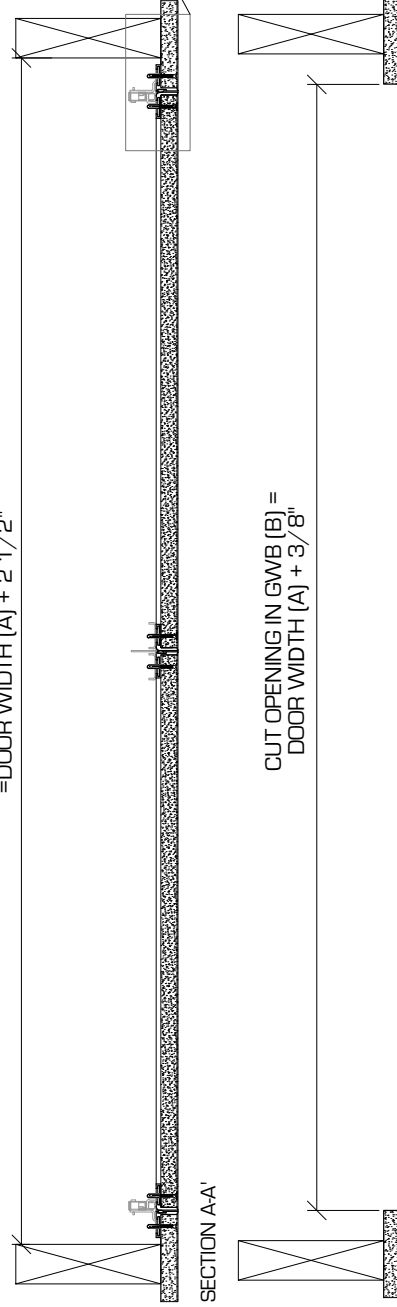
- BAUCO PLUS II ACCESS PANELS WILL NOT REDUCE THE STC RATING OF THE ASSEMBLY

**LATCH:**

- CONCEALED TOUCH LATCH (STANDARD)
- CAM LATCH (OPTIONAL)
- TAMPER RESISTANT CAM LATCH (OPTIONAL)
- KEYED LOCK (OPTIONAL)

ROUGH OPENING (C)  
= DOOR WIDTH (A) + 2 1/2"

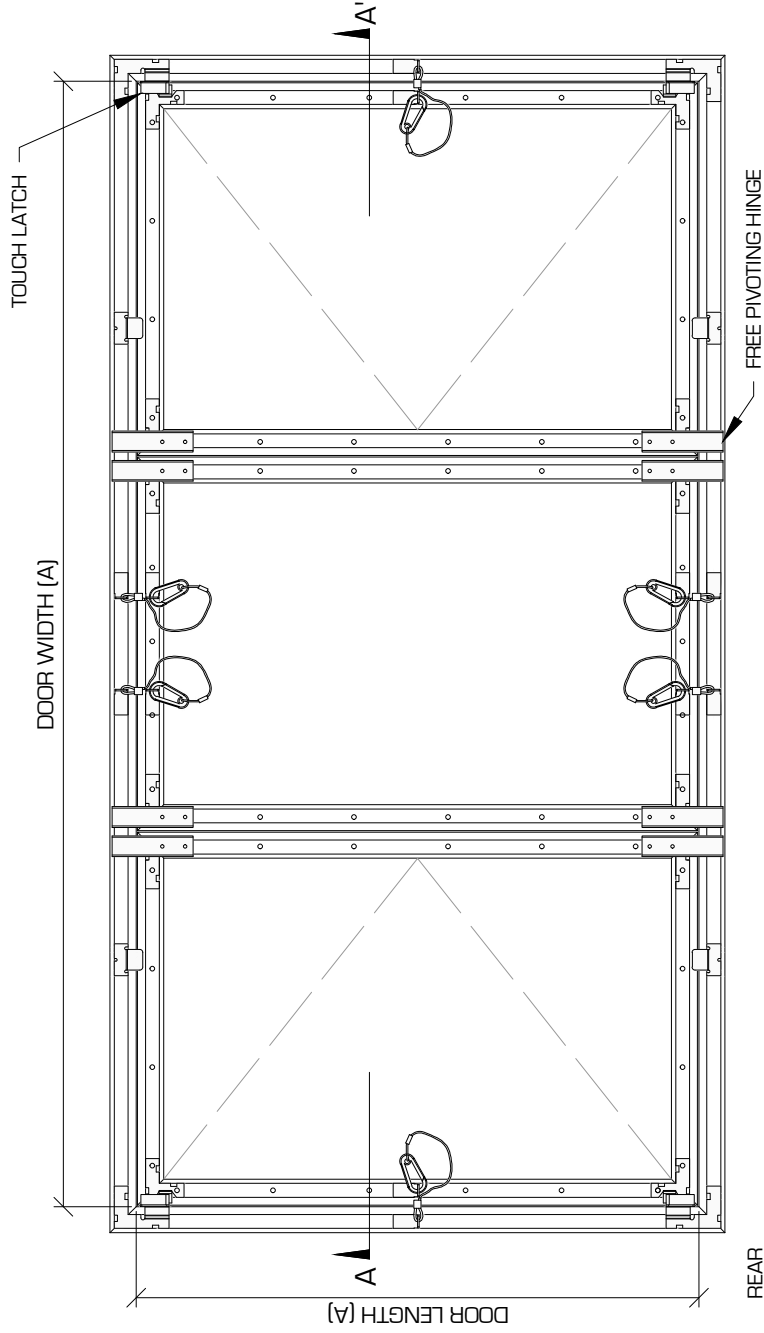
CUT OPENING IN GWB (B) =  
DOOR WIDTH (A) + 3/8"



SECTION A-A' WITHOUT ACCESS PANEL

**BAUCO® plus II** ARCHITECTURAL ACCESS PANEL WITH CONCEALED HARDWARE AND GYPSUM BOARD INLAY

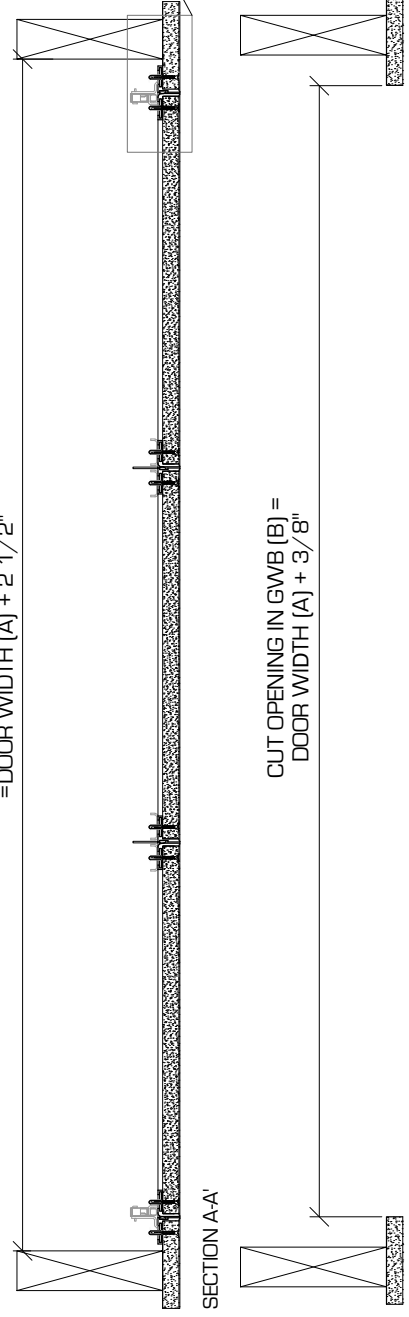
# BAUCO PLUS II THREE LEAF CEILING ACCESS PANEL - TOUCH LATCH



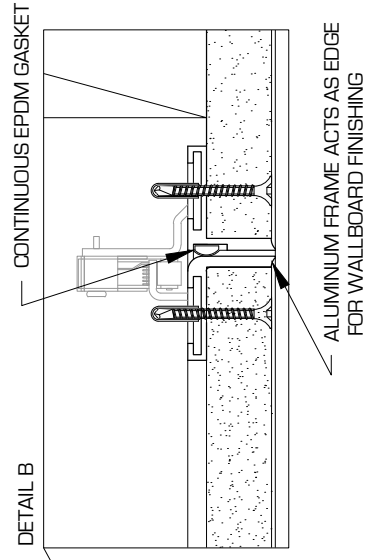
ROUGH OPENING (C)  
= DOOR WIDTH (A) + 2 1/2"

SECTION A-A'

CUT OPENING IN GWB (B) =  
DOOR WIDTH (A) + 3/8"



DETAIL B



**FOR USE IN:**

- ASSEMBLIES CLAD IN GYPSUM WALLBOARD 1/2" (13 mm) OR 5/8" (16 mm)
- NEW CONSTRUCTION OR REPAIRS
- ROUGH OPENINGS IN GWB WITHOUT ABUTTING STRUCTURES

**FRAME:**

- RECESSED ALUMINUM EXTRUSIONS
- FRAME ACTS AS FINISHING EDGE
- 1/16" (2 mm) GAP BETWEEN FRAME AND DOOR

**STANDARD FEATURES:**

- STRONG CONCEALED ALUMINUM FRAME AND HARDWARE
- CONCEALED MECHANICAL TOUCH-LATCH
- LIFT-OUT DOORS WITH SAFETY CABLES
- MOISTURE RESISTANT GWB INLAY
- PERIMETER GASKET (AIR & SMOKE TIGHT)

**HINGE:**

- FREE PIVOTING HINGE
- DOOR CAN BE REMOVED FOR MAXIMUM CLEARANCE

**SOUND TRANSMISSION:**

- BAUCO PLUS II ACCESS PANELS WILL NOT REDUCE THE STC RATING OF THE ASSEMBLY

**LATCH:**

- CONCEALED TOUCH LATCH (STANDARD)
- CAM LATCH (OPTIONAL)
- TAMPER RESISTANT CAM LATCH (OPTIONAL)
- KEYED LOCK (OPTIONAL)

SECTION A-A' WITHOUT ACCESS PANEL

**BAUCO® plus II** ARCHITECTURAL ACCESS PANEL WITH CONCEALED HARDWARE AND GYPSUM BOARD INLAY

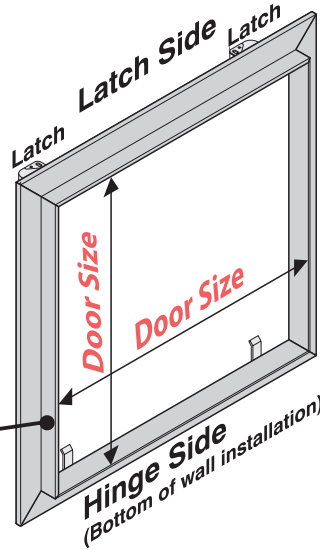
## Introduction and Key Concepts

### Access Panel Outer Frame

The dimensions of the **Door Size** (clear opening in outer frame) are used to determine the **Cut Opening** (opening in the drywall) and the minimum **Rough Frame Opening** (spacing of framing members).

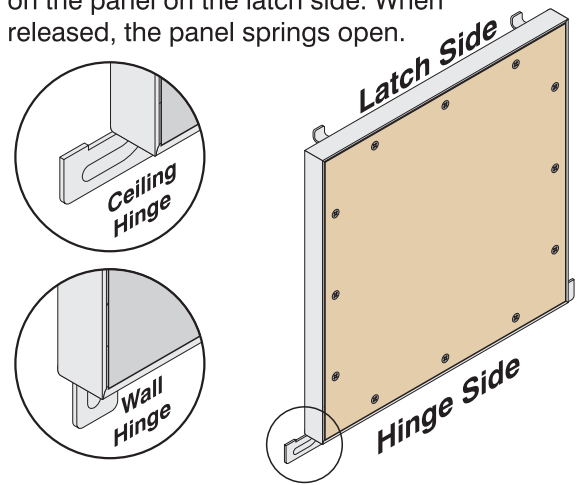
The number group following the first 4 digits in the model number is the **door size**. **Ex:** access panel with the Model Number 20-58-1212 has a **12" x 12"** door size.

The outer frame mounts to the back of the drywall and is attached with self-drilling screws through the face of the drywall.



### Access Panel Door Leaf

The door leaf is opened by pressing on the panel on the latch side. When released, the panel springs open.



## For trouble-free installation and operation please observe the following:

- 1-The access panel outer frame must be screwed to the drywall every 4" or less with more precise attachment at the corners and through the base of all latch brackets.
- 2-The outer frame must be attached to the drywall square and straight. Frame is flexible; attach straight.
- 3-The wall or ceiling must be rigid. Blocking and or rigid hangers must ensure no flexibility or movement in drywall.
- 4-The drywall surrounding the outer frame should be flat. If screw heads protrude above the face of the framing, it is recommended that drywall shims are used to make a flat surface.

## Installation Methods

### Standard Installation

Create the rough opening according to framing guidelines. Measure framing location and note for reference. Board over opening. Precisely mark out cut opening in drywall and cut and remove. Ensure there is adequate overlapping drywall to accept outer frame. Angle outer frame through the opening and attach according to the information on page 2. Alternative methods for locating outer frame are outlined on page 2.

### Size of the Cut Opening (B)

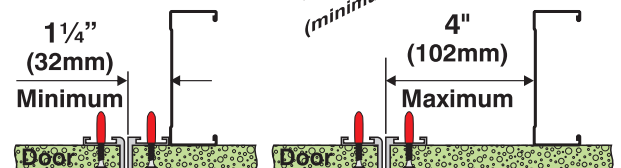
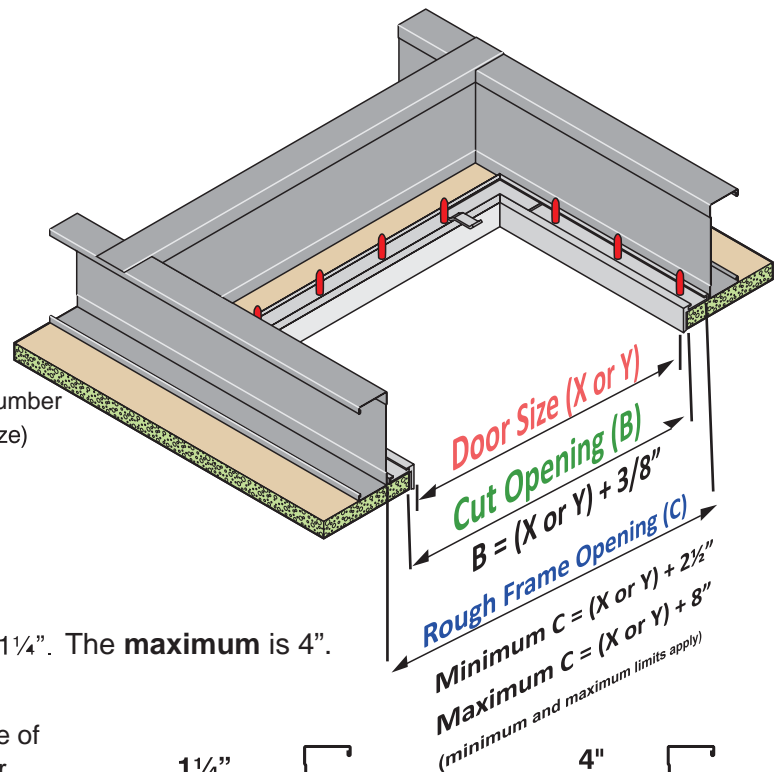
**Door Size (X or Y)** number group following first 4 digits in the model number  
The **Cut Opening (B)** is the door size **(X or Y)** + 3/8" (drywall opening size)

**EX:** A Model 20-58-1212 with a 12" x 12" door size needs a 12 3/8" x 12 3/8" cut opening in the drywall.

### Size of the Minimum Rough Frame Opening (C)

The **minimum** distance from the panel opening to a stud is 1 1/4". The **maximum** is 4".

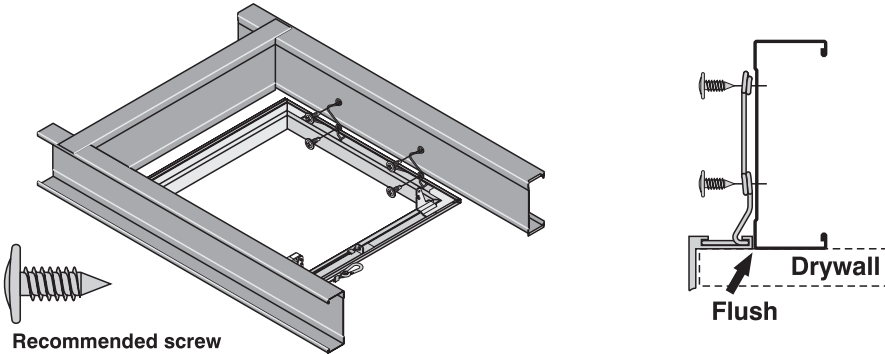
**EX:** For a Model 20-58-1212 with a 12" x 12" door size, the minimum spacing of the framing is 14 1/2" with 1 1/4" on either side of the opening. The maximum spacing is 20" - with 4" max. on either side of the opening. The distance to the studs does not have to be the same as long as the framing is within the maximum and minimum dimensions.





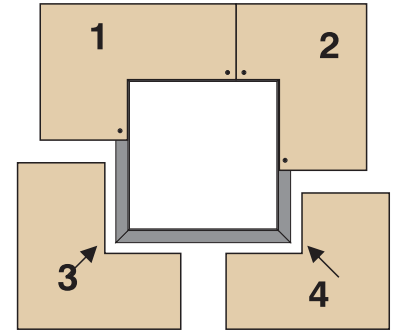
## A. Install Aids (included with large panels only; or upon request)

The panel outer frame can be hung in the rough framed opening before the drywall is in place by using Install Aids. Install Aids clip into the outer frame and are screwed or tied to framework. **After the drywall is fitted around the frame, the frame MUST be attached to drywall with SCREWS as shown in the next section.** These are an **INSTALLATION AID ONLY**



## B. During Drywall Installation

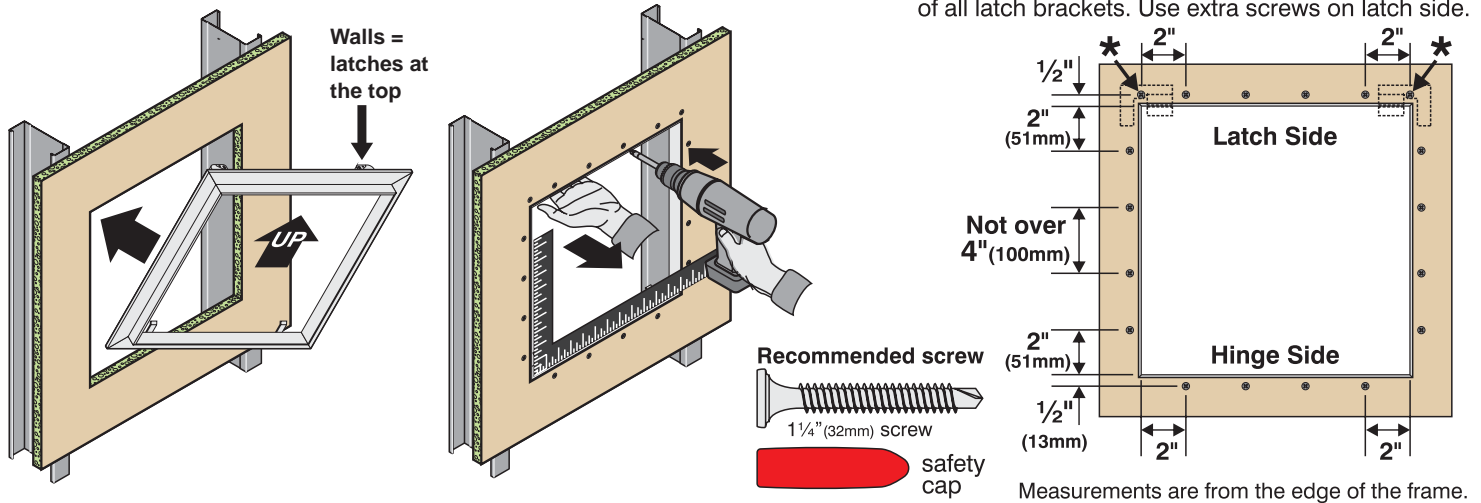
The access panel outer frame can be located resting on the back of the drywall **as the drywall is being installed.** If possible, avoid putting joints at the corners. **The frame must be attached as shown in the next section.**



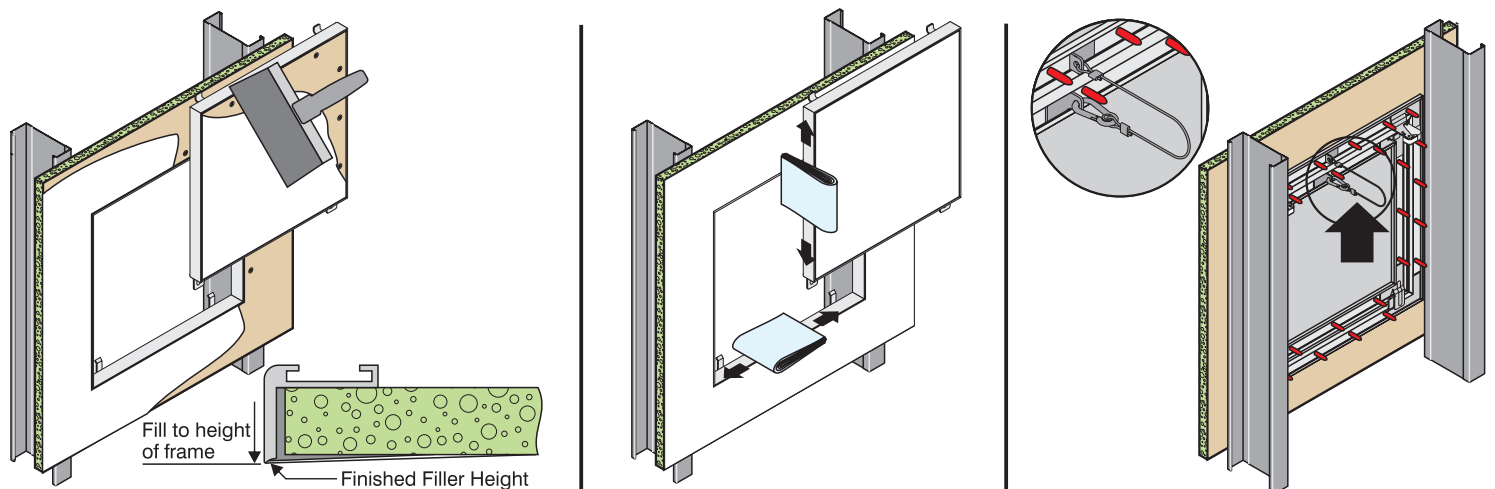
## Outer Frame Installation and Panel Finishing

Pass the frame through the opening into position (or locate with alternative method) so outer frame rests on back of drywall. **Ensure the frame is straight and square.** Screw through the drywall into the frame of the access panel. **Correct fastener spacing must be followed**

**\*Important Fastener Placement.** At the latch side only, a screw should be fitted in line with the edge of the frame. It will go through the steel corner brackets. If multiple latches, place fasteners through the base of all latch brackets. Use extra screws on latch side.



Insert door leaf and test function. Remove. Apply filler into any gaps around the outer frame, filling to the level of the raised edge. Apply filler to the door leaf. Sand and fill until desired finish is achieved. **Finished height must not be higher than edge** of outer frame and door leaf frame. Setting-type compound is recommended for the first coat. Clean excess and dust from frame and the door with a damp cloth. Prime and paint together or separately. Attach the safety cable when done.

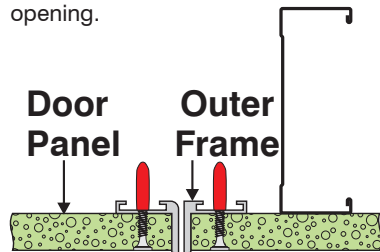


### Access Panel Outer Frame

The access panel **outer frame** mounts to the back of the drywall and is attached with self-drilling drywall screws through the face of the drywall.

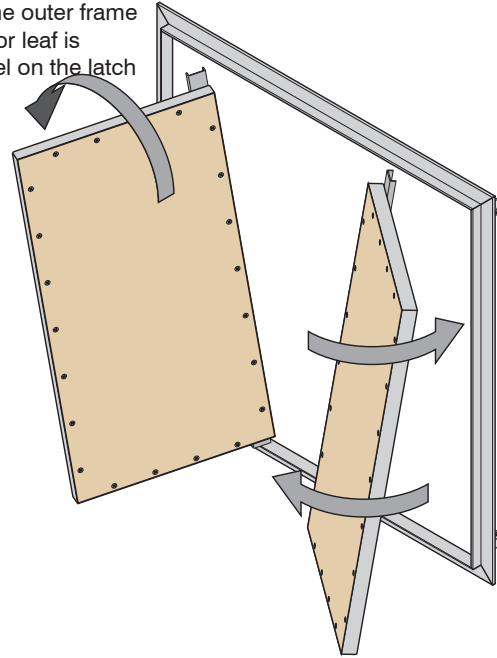
The dimensions of the **Door Size (A)** (clear opening) in the outer frame are used to determine the **Cut Opening (B)** (opening in the drywall) and the minimum **Rough Framed Opening (C)** (spacing of framing members).

The number group following the first 4 digits in the model number is the clear opening dimensions. Ex: access panel with the Model Number 20-58-4842-2 has a 48" x 42" clear opening.



### Access Panel Door Panels

Remove the door panels from the outer frame to begin the installation. The door leaf is opened by pressing on the panel on the latch side. When released, the panel springs open. Angle the open panel in order to pass through the outer frame.



### For trouble-free installation and operation please observe the following:

- 1- The access panel outer frame must be screwed to the drywall every 4" or less with more precise attachment at the corners and through the base of all latch brackets.
- 2- The outer frame must be attached to the drywall square and straight. Frame is flexible; attach straight.
- 3- The wall or ceiling must be rigid. Blocking and or rigid hangers must ensure no flexibility or movement in drywall.
- 4- The drywall surrounding the outer frame should be flat. If screw heads protrude above the face of the framing, it is recommended that drywall shims are used to make a flat surface.

## INSTALLATION METHODS

### Standard Installation- Outer Frame located after drywall

The framing members need to be positioned around the cut opening in the drywall so as to allow space for the access panel outer frame. Drywall is attached to framing and an opening is made not up to the framed opening but leaving the drywall overlapping the framing to create a lip to accept the access panel outer frame. The access panel outer frame is angled through the opening and positioned against the back of the drywall. Proper attachment guide on the back page. Alternative methods are outlined on the back page.

#### Size of the Cut Opening (B) in drywall

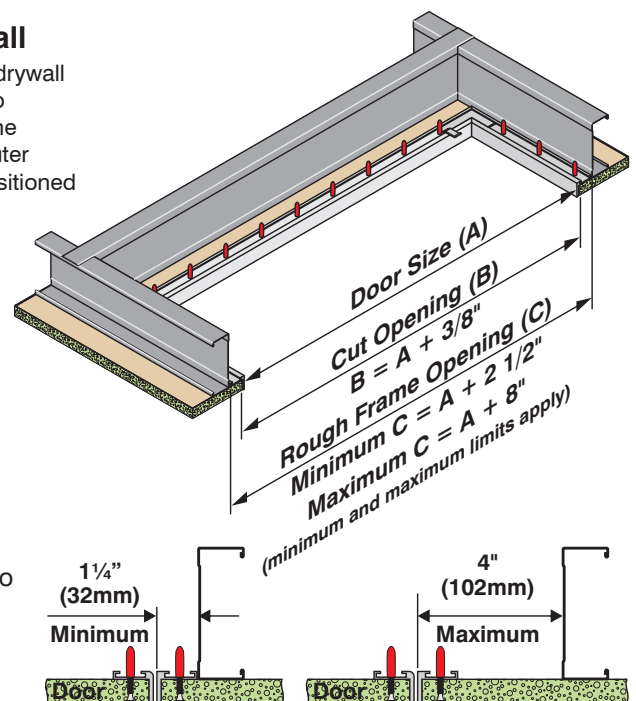
**Door size (A)** is the last four digits of the model number. For example, a Model 20-58-2436 has a 24" x 36" door size. The **Cut Opening (B)** is the door size + 3/8". A Model 20-58-2436 with a 24" x 36" door size needs a 24 3/8" x 36 3/8" cut opening in the drywall.

#### Rough Frame Opening (C)

The **minimum** distance from the panel opening to any framework is 1 1/4". The **maximum** is 4".

The distance from the cut opening to any framework does not have to be the same as long as the framing is within the maximum and minimum dimensions.

Example: For a model 20-58-6030-2 with a 60" x 30" clear opening: The minimum spacing of the framing members is 62 1/2" x 32 1/2".





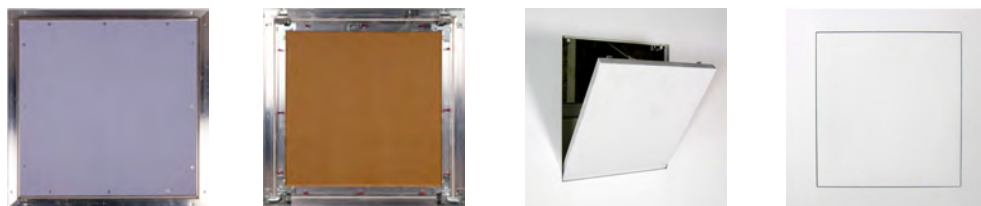
**Project Name:****Item Number:****Project Number:****Item Description:**

Manufacturer:	Bauco Access Panel Solutions Inc.		
Address:	834 Devonshire Road, Victoria, BC Canada V9A 4T4		
Telephone:	1-250-592-0033	Toll-free Telephone:	1-877-592-0033
Fax:	1-250-592-7587	Toll-free Fax:	1-877-592-7587
Email:	info@accesspanelsolutions.com		

**Model Number:** 20-12-\_\_\_\_ \*series or 20-58-\_\_\_\_ \*series**Model Name:** **BAUCO® plus II** access panel for drywall

**Description:** Virtually invisible access panel installs flush with wall and ceiling finishes. Finished panels leave not more than a 1/16" shadow/gap on finished surfaces. Hardware-free finish, opens with concealed touch latches. May be removed for full access, complete with safety catches. Suitable for new construction and repairs. Panels arrive ready for installation with factory installed gypsum board inlay. Door panel receives the same finish as the surrounding surface. Aluminum extrusion with gypsum board installed, no corrosive hardware, safety devices, installation kit, and bracing where needed. Standard: touch latch. Options: keyed latch, special board, acoustic backing. Panel drywall inlay shall equal the same specifications as wall and ceilings.

**Finishing:** No bead required. Feather mud so that after the 3<sup>rd</sup> layer no irregularities shall be visible to the unaided eye at a distance of 1.5 m.



**Dimensions:** Standard sizes: 6" x 6", 8" x 8", 10" x 10", 12" x 12", 14" x 14", 16" x 16", 18" x 18", 20" x 20", 24" x 24", 24" x 36".  
We can manufacture custom sizes with short lead times.

**Sizing:** For a proper fit, the rough opening has to be 2 1/2" wider and longer than the door size, to a maximum of 8".  
Cut opening in the gypsum wallboard will be the door size + 3/8".

**Notes:** \* Model Numbers: 12 = 1/2" drywall, 58 = 5/8" drywall.  
\*\* Last 4 digits indicate panel size: 20-58-1818 = 18" x 18" square panel.

## LEED FOR BAUCO<sup>®</sup> plus II ACCESS PANELS WITH GYPSUM BOARD INLAY

Our team is committed to operating our facilities with environmentally friendly processes, as well as manufacturing our BAUCO<sup>®</sup> access panels which help architects, dealers, distributors, and end users to achieve the highest possible level of certification. We are ready to assist in your LEED certification documentation.

### MANUFACTURING LOCATION

BAUCO<sup>®</sup> plus , BAUCO<sup>®</sup> plus II , BAUCO<sup>®</sup> air , and BAUCO<sup>®</sup> rondo access door products are manufactured in Victoria, British Columbia, Canada.

### MATERIALS

The gypsum wallboard inlay shipped with our doors is manufactured by CGC Inc., a member of the U.S. Green Building Council. Other brand products are available upon request. CGC Inc. manufactures the USG Sheetrock Gypsum Panels in Rainer, OR.

### RECYCLING CONTENT

Material Content by Weight	% of Total	Post-industrial Recycled Content	Post-consumer Recycled Content	Total Recycled %
Aluminum Extrusion	23%	25%		5.8%
Steel Hardware*	7%	50%		3.5%
Gypsum Wallboard	70%		21%	14.7%
Total Weight	100%			24%

\* Vendors report recycling content up to 90%, but this figure can vary

The above data refers to a 24" x 24" (610mm x 610mm) panel.

Other sizes present a similar distribution.



## SOUND AND SMOKE TRANSMISSION RESISTANCE

In the 15 years of supplying to construction projects across North America, we have had numerous calls from acoustical engineers to use our doors because of their superior sound transmission resistance. The engineers' assessment was based on two observations in the design of our panels: Firstly, the gasket in the frame prevents almost all air-flow and thereby limits the transmission of sound. Secondly, the mass of the gypsum board inlay supplied with our access panels is identical to the mass of the surrounding ceiling/wall and thereby ensures that the acoustic properties are the same.

We frequently modify access panels in consultation with customers and consultants to further decrease sound transmission properties. Our standard procedure on those cases is to substitute the regular gypsum board inlay with an acoustically enhanced gypsum board (such as Quietrock or SilentFX). We have also applied a second layer of gypsum wallboard or even a layer of barium-rubber matting attached to the back of the door (e.g. Fallsview Casino in Niagara Falls and the LDS Temple in Vancouver, BC).

### TESTING

In March 2010, to more formally support the benefits implied by acoustical engineers, we asked the acoustical engineers at Wakefield Acoustics of Victoria, BC, to conduct an Apparent Sound Transmission Class Test on our access panel. Compared to a wall with our access panel, the wall with our 24" x 24" BAUCO® plus II door (single layer of 5/8" gypsum) performed just as well, achieving an ASTC value of 35 (consultant's report available upon request).

We further have independent testing carried out in Germany, which tests for air/smoke penetration in building envelopes under pressure. The test is commonly used to assess exterior windows. The results show that the access panel achieves a rating of "Class 4", the highest possible rating for an exterior window. The access panel is therefore deemed to be "air-tight". (Independent testing authority's report available upon request.)

Options for modification of BAUCO® plus II access panels (see also data table below):

- Second layer of gypsum wallboard laminated to the back of the door to increase mass
- Barymat 5 barium loaded rubber matt attached to either 1/2" or 5/8" gypsum board inlay
- Acoustically enhanced gypsum board, 1/2" or 5/8", in regular BAUCO® plus II frame.

### MATERIAL COMPARISON DATA

Comparison Material	Material Weight lbs/sq ft	Comparative STC*
Sheetrock 1/2"	1.8	30
Sheetrock 5/8"	2.3	34
Barymat 5 1/8" (0.07")	1.0	24
Acoustically enhanced gypsum board 1/2"	2.2	49 - 68
Acoustically enhanced gypsum board 5/8"	2.7	51 - 72

\* Relative values from various sources. Most based on the use of the material in a wood stud wall. Barymat 5 value for material only.

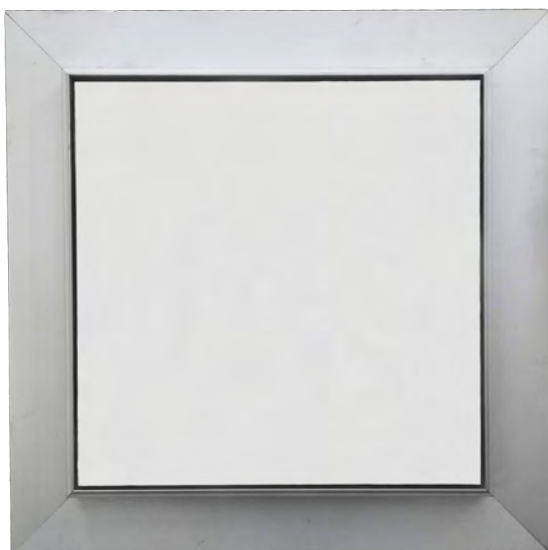
Sources: German test report, Wakefield Acoustics report, Quietrock data-sheet, Sheetrock data-sheet, Barymat 5 data-sheet.

# BAUCO® paint-ready

**Time saving option  
for drywall  
access panels**



You will save time with the **BAUCO® paint-ready** option for **BAUCO® plus II** and **BAUCO® rondo** access panels



- Saves time as there is no need to fill, sand, or touch-up door leaf
- Reduces installation time for your skilled tradespeople
- Reduces recalls with durable, factory-primed door leaf
- Minimizes staging space at your jobsite



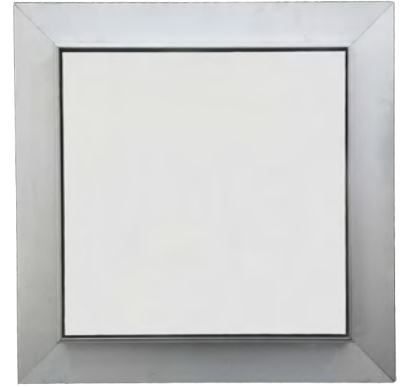
# BAUCO® paint-ready

time saving option for BAUCO® plus II & BAUCO® rondo

## SAVE TIME ON YOUR JOBSITE

With the BAUCO® paint-ready you no longer need to finish the door leaves of BAUCO® plus II and BAUCO® rondo access panels. BAUCO® paint-ready equipped panels ship directly to you with a highly durable, factory primed drywall door leaf. Skilled trades install and finish the external aluminum door frame and then simply insert the bauco paint-ready leaf right before painting.

- Fewer installation steps for drywall access panels
- Door leaf is finished for you. All you need to do is finish the access panel frame in the surrounding wall
- Available for any size panel and with all types of gypsum board inlays
- When you order BAUCO® paint-ready option for your BAUCO® plus II or BAUCO® rondo panels, we supply a durable, factory-primed door leaf.



## HOW YOU BENEFIT

### Labour Savings

Reduced installation time for skilled trades. There is no need to fill, sand, or touch-up door leaf surfaces

### Durability

Stands up to long term usage for reduced recalls

### Site Convenience

- Door leaves can be stored off-site until ready to paint
- Full access for trades working on mechanical installation
- No staging space required for leaf filling and sanding

### Installation Sequence

1. Frame rough opening and hang drywall
2. Install, finish and paint-out access panel outer frame only
3. Complete Mechanical installation and servicing
4. Hang and paint access door leaf



BAUCO® plus II with BAUCO® paint-ready door leaf in an unfinished wall

## FOR USE IN

- Jobs with time or space constraints
- Approved for non-fire-rated assemblies
- All assemblies in either 1/2" or 5/8" drywall
- New construction or repairs in walls and ceilings
- Heavy use applications needing exceptional durability

## STANDARD FEATURES

- Available for any standard or custom BAUCO® plus II and BAUCO® rondo access panel
- Door leaf ships with drywall inlay that has been finished & primed flush to the frame
- Durable door surface made from heavy-duty commercial wall covering paper
- Adhesive and finish proven in humidity-chamber testing
- Withstands heavy use. Laboratory cycle testing report available upon request
- Access panel outer frame must be fastened to surrounding drywall and finished, as with standard models (see installation instructions)

**To order use extension -P on the model no. (E.g. 20-58-2424-P)**



## Access Panel Outer Frame

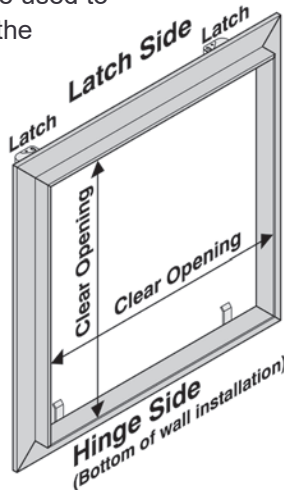
The dimensions of the Clear Opening in the frame are used to determine the Cut Opening (opening in drywall) and the minimum Rough Frame Opening (spacing of framing members).

The number group following the first 4 digits in the model number is the clear opening dimensions.  
Ex: access panel with the Model Number 20-58-1212 has a 12" x 12" clear opening.

The outer frame mounts to the back of the drywall and is attached with self-drilling drywall screws through the face of the drywall.

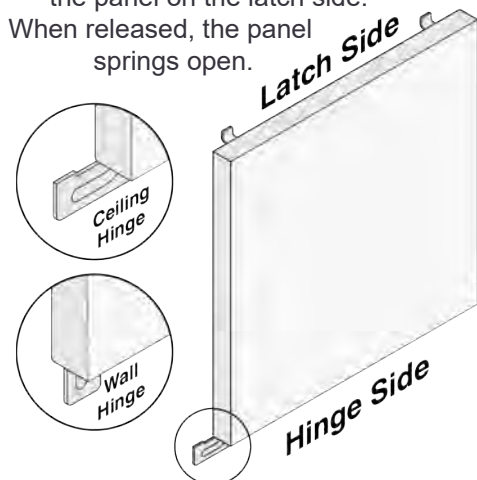
For trouble-free installation and operation, please observe the following:

- The access panel outer frame must be screwed to the drywall every 4" or less with more precise attachment at the corners and through the base of all latch brackets.
- The outer frame must be attached to the drywall square and straight. Frame is flexible; attach straight.
- The wall or ceiling must be rigid. Blocking and/or rigid hangers must ensure no flexibility or movement in drywall.
- The drywall surrounding the outer frame should be flat. If screw heads protrude above the face of the framing, it is recommended that drywall shims are used to make a flat surface.



## Access Panel Door Leaf

The door leaf is opened by pressing on the panel on the latch side. When released, the panel springs open.



## INSTALLATION METHODS

### Standard Installation

The framing must be positioned correctly around the opening in the drywall for the access panel. Drywall is attached to the studs as usual but overlaps to create a lip to accept the access panel outer frame. The cut opening required for the access panel is cut and the frame angled through the opening and attached according to the information on page 2. Alternative methods for locating outer frame are outlined on page 2.

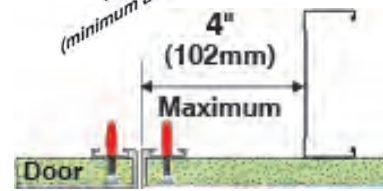
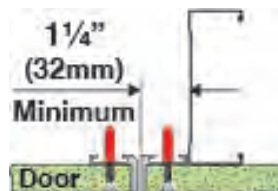
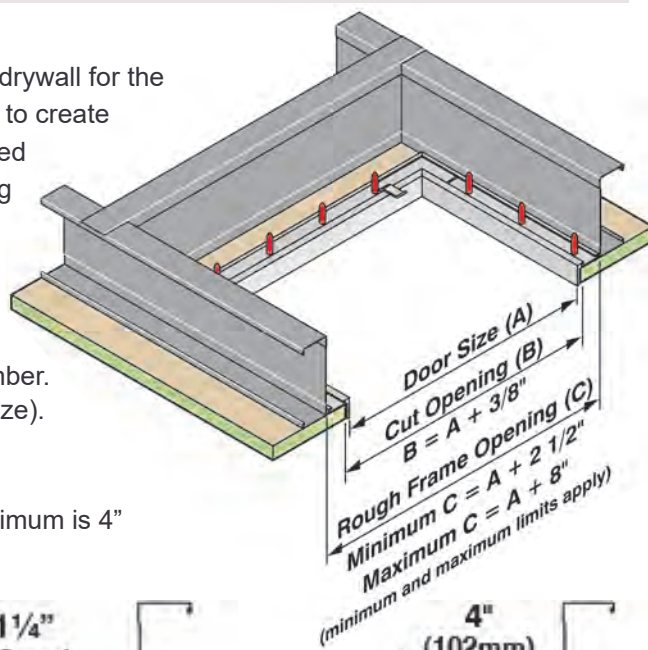
### Size of the Cut Opening (B)

**Door Size (A)** number group following first 4 digits in the model number. The **Cut Opening (B)** is the Door Size (A) + 3/8" (drywall opening size).

### Size of the Minimum Rough Framed Opening (C)

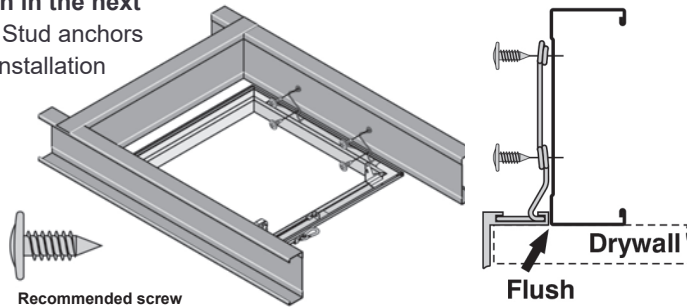
The minimum distance from the framing to a stud is 1 1/4". The maximum is 4"

Ex: For a Model Number 20-58-1212 with a 12" x 12" clear opening, the minimum spacing of the framing is 14 1/2" with 1 1/4" on either side of the opening. The maximum spacing is 20" with 4" maximum on either side of the opening. The distance to the studs does not have to be the same as long as the framing is within the maximum and minimum dimensions.



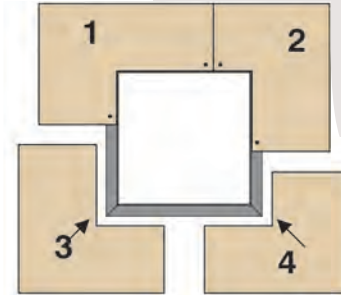
**(A) Hang with Stud Anchors** (Included with large panels, otherwise upon request)

The panel outer frame can be hung in the rough framed opening before the drywall is in place by using the Stud Anchors. Stud Anchors clip into the outer frame and are screwed or tied to the framework. After drywall is fitted around the frame, the frame must be attached as shown in the next section. Stud anchors are and installation aid only.



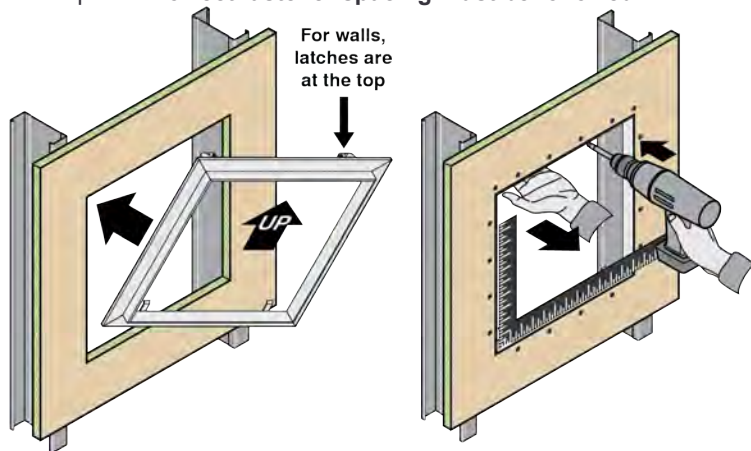
**(B) During Drywall Installation**

The access panel outer frame can be located resting on the back of the drywall as the drywall is being installed. If possible, avoid putting joints at the corners. The frame must be attached as show in the next section.



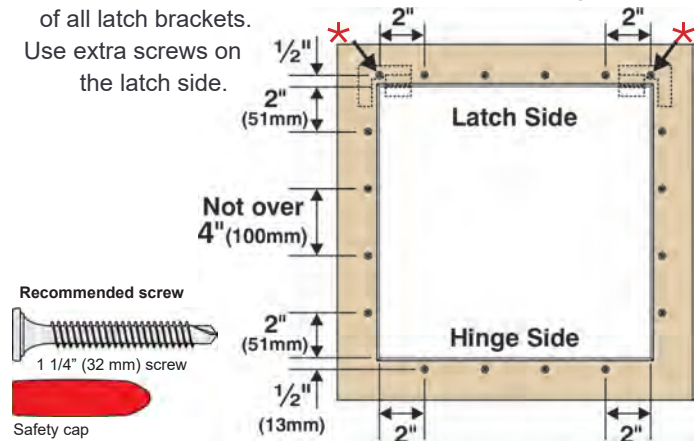
**OUTER FRAME INSTALLATION AND PANEL FINISHING**

Pass the frame through the opening into position (or locate with alternative method) so outer frame rests on back of drywall. Ensure the frame is straight and square. Screw through the drywall into the frame of the access panel. Correct fastener spacing must be followed.

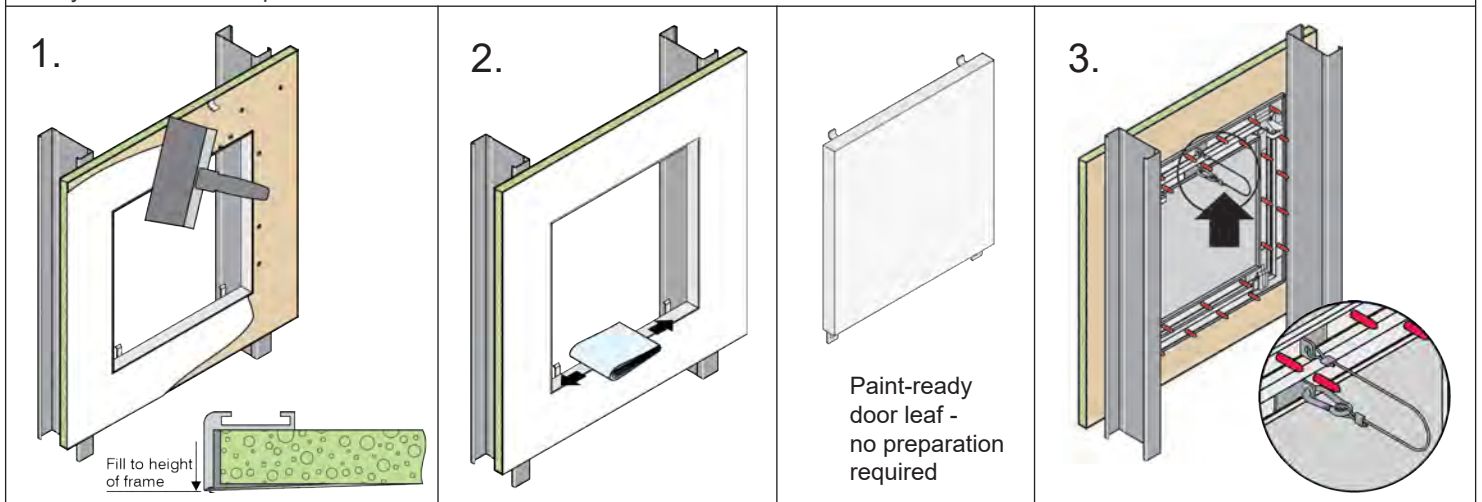


**\* Important Fastener Placement**

At the latch side only, a screw should be fitted in line with the edge of the frame. It will go through the steel corner brackets. If multiple latches, place fasteners through the base of all latch brackets. Use extra screws on the latch side.



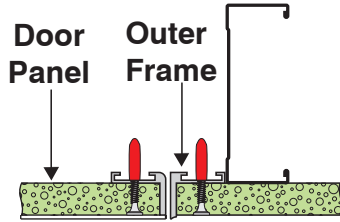
1. Apply filler into any gaps around the outer frame, filling to the level of the raised edge. 2. Sand and fill until desired finish is achieved. Finished height must not be higher than edge of outer frame. Setting-type compound is recommended for the first coat. Clean excess filler and dust from frame with a damp cloth. Install paint ready door leaf when ready to paint or paint separately. 3. Be sure to attach the safety cable when complete.





**Access Panel Outer Frame**

The access panel outer frame mounts to the back of the drywall and is attached with self-drilling drywall screws through the face of the drywall.

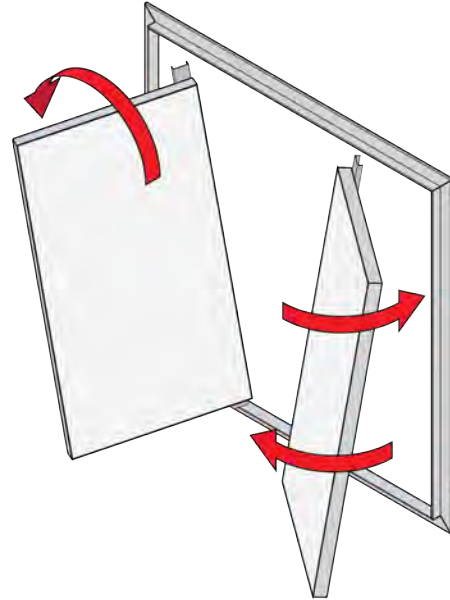


The dimensions of the **Door-Size (A)** (clear opening) in the outer frame are used to determine the **Cut Opening (B)** (opening in the drywall) and the minimum **Rough Framed Opening (C)** (spacing of framing members)

The number group following the first 4 digits in the model number is the clear opening dimensions. Ex: access panel with Model Number 20-58-4842-2 has a 48" x 42" clear opening.

**Access Panel Door Leaves**

Remove the door leaves from the outer frame to begin the installation. The door leaf is opened by pressing on the panel on the latch side. When released, the panel springs open. Angle the open door leaf in order to pass through the outer frame.



**For trouble-free installation and operation please observe the following:**

1. The access panel outer frame must be screwed to the drywall every 4" or less with more precise attachment at the corners and through the base of all latch brackets.
2. The outer frame must be attached to the drywall square and straight. Frame is flexible; attach straight.
3. The wall or ceiling must be rigid. Blocking and/or rigid hangers must ensure no flexibility or movement in drywall.
4. The drywall surrounding the outer frame should be flat. If screw heads protrude above the face of the framing, it is recommended that drywall shims are used to make a flat surface.

**INSTALLATION METHODS**

**Standard Installation - Outer Frame Located After Drywall**

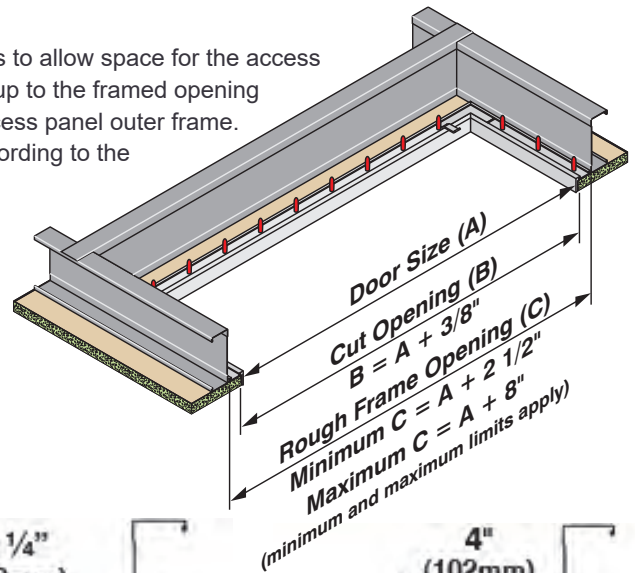
The framing needs to be positioned around the cut opening in the drywall so as to allow space for the access panel outer frame. Drywall is attached to framing and an opening is made not up to the framed opening but leaving the drywall overlapping the framing to create a lip to accept the access panel outer frame. The access panel outer frame is angled through the opening and attached according to the information on page 2. Alternative methods are outlined on page 2.

**Size of the Cut Opening (B) In Drywall**

**Door Size (A)** is the last 4 digits of the model number. For example, a model 20-58-2436 has a 24" x 36" door size. The **Cut Opening (B)** is the Door Size (A) + 3/8" (drywall opening size). For example, A Model 20-58-2436 with a 24" x 36" door size needs a 24 3/8" x 36 3/8" cut opening in the drywall

**Rough Framed Opening (C)**

The **minimum** distance from the panel opening to any framework is 1 1/4". The **maximum** is 4". The distance from the cut opening to any framework does not have to be the same as long as the framing is within the maximum and minimum dimensions. Example: For a model 20-58-6030-2 with a 60" x 30" clear opening: The minimum spacing of the framing members is 62 1/2" x 32 1/2".

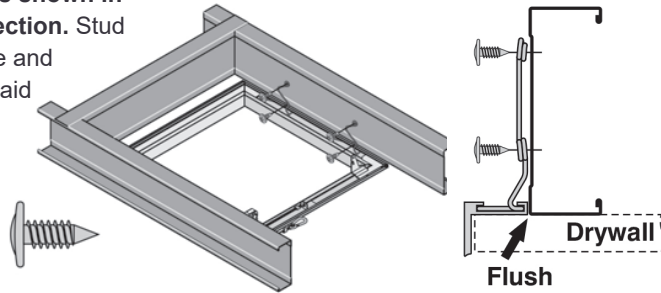




**ALTERNATIVE INSTALLATION METHODS (A+B)**

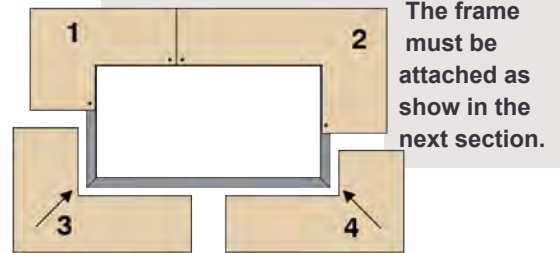
**(A) Hang with Stud Anchors** (Included with large panels, otherwise upon request)

The panel outer frame can be hung in the rough framed opening before the drywall is in place by using the Stud Anchors. Stud Anchors clip into the outer frame and are screwed or tied to the framework. After drywall is fitted around the frame, the frame must be attached as shown in the next section. Stud anchors are an installation aid only.



**(B) During Drywall Installation**

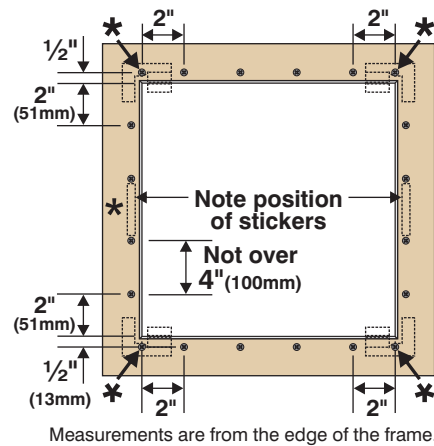
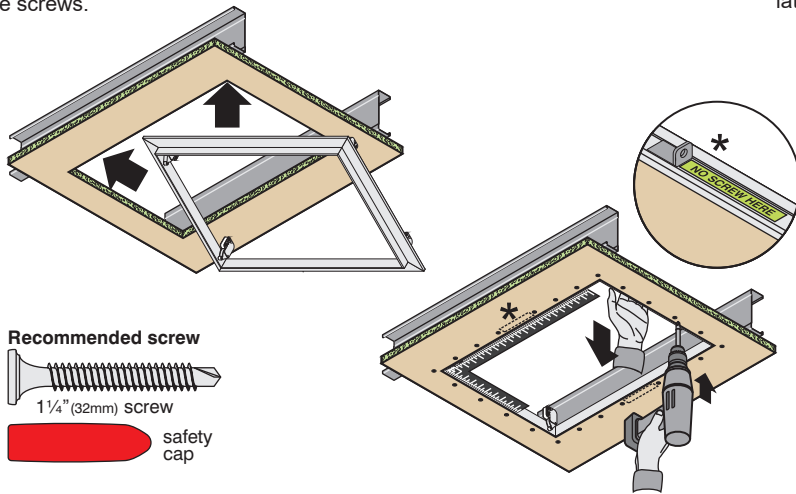
The access panel outer frame can be located resting on the back of the drywall as the drywall is being installed. If possible, avoid putting joints at the corners.



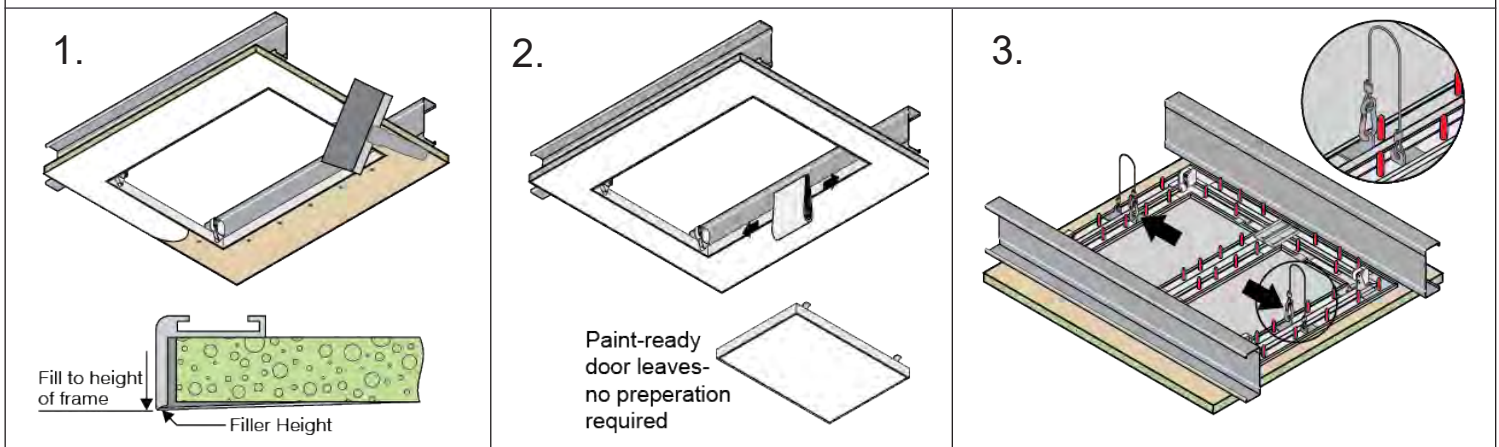
**FRAME INSTALLATION AND FINISHING**

The access panel outer frame is angled through the opening into position (or locate with alternative method). The outer frame rests on back of drywall. Ensure the frame is straight and square. Screw through the drywall into the frame of the access panel. Correct fastener spacing must be followed. Note where not to place the screws.

**\* Important Fastener Placement.** At latch sides, a screw should be fitted in line with the edge of the frame. It will go through the steel corner brackets. If multiple latches, place fasteners through the base of all latch brackets. Use extra screws on latch side. Screws spaced not more than 4" apart



1. Apply filler into any gaps around the outer frame, filling to the level of the raised edge. 2. Sand and fill until desired finish is achieved. Finished height must not be higher than edge of outer frame. Setting-type compound is recommended for the first coat. Clean excess filler and dust from inside the frame with a damp cloth. Install paint-ready door leaves when ready to paint, or paint separate. Prime and paint 3. Be sure to attach the safety cable when complete.



# BAUCO PLUS II PAINT-READY SINGLE LEAF CEILING ACCESS PANEL - 1 1/2" GWB

**FOR USE IN:**

- ASSEMBLES CLAD IN 1/2" (13mm) GYPSUM WALLBOARD
- NEW CONSTRUCTION OR REPAIRS
- ROUGH OPENINGS IN GWB WITHOUT ABUTTING STRUCTURES

**FRAME:**

- RECESSED ALUMINUM EXTRUSIONS
- FRAME ACTS AS FINISHING EDGE
- 1/16" (2mm) GAP BETWEEN FRAME AND DOOR

**STANDARD FEATURES:**

- STRONG CONCEALED ALUMINUM FRAME AND HARDWARE
- CONCEALED MECHANICAL TOUCH LATCH
- LIFT-OUT DOOR(S) WITH SAFETY CABLES
- MOISTURE/MOLD RESISTANT GWB INLAY
- PERIMETER GASKET (AIR & SMOKE TIGHT)
- PAINT-READY DOOR LEAF DOES NOT REQUIRE MUDDING

**HINGE:**

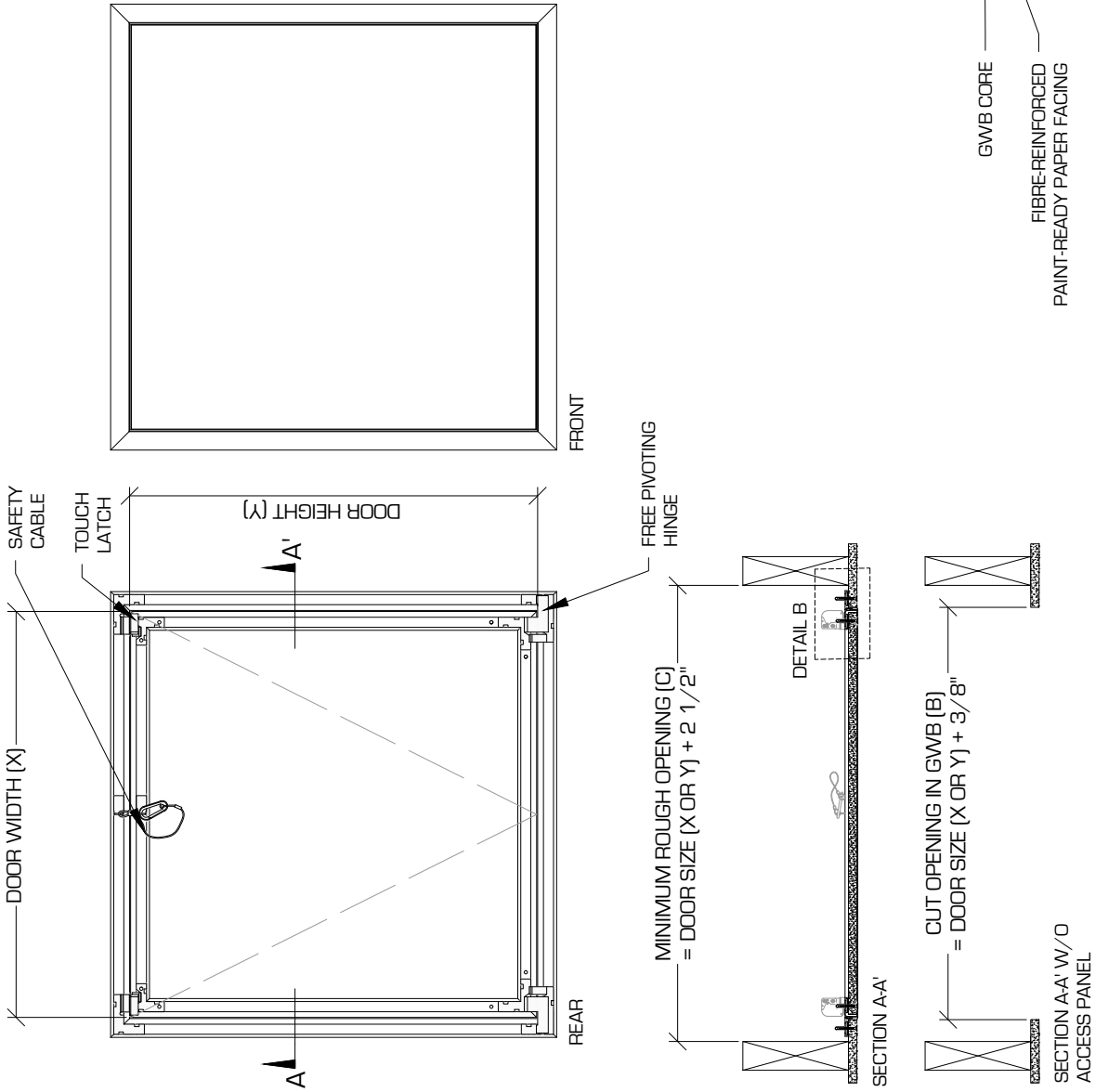
- FREE PIVOTING HINGE
- DOOR CAN BE REMOVED FOR MAXIMUM CLEARANCE

**SOUND TRANSMISSION:**

- BAUCO PLUS II ACCESS PANELS WILL NOT REDUCE THE STC RATING OF THE ASSEMBLY

**LATCH:**

- CONCEALED TOUCH LATCH (STANDARD)
- CAM LATCH (OPTIONAL)
- TAMPER RESISTANT CAM LATCH (OPTIONAL)
- KEYED LOCK (OPTIONAL)

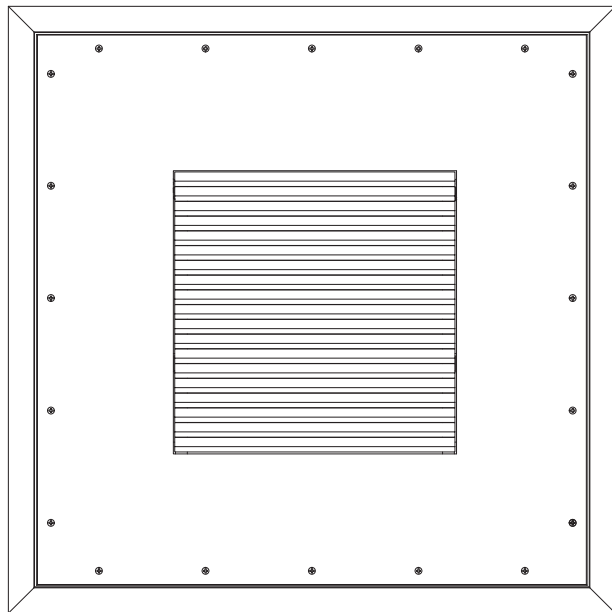


# BAUCO<sup>®</sup> air

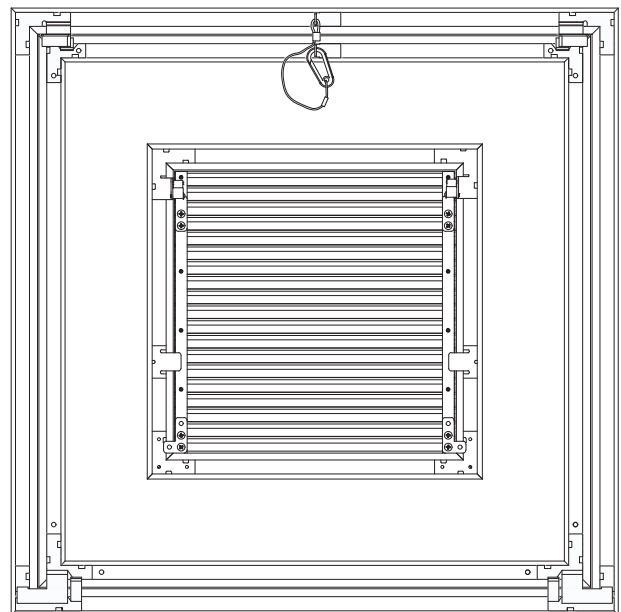
## Clean Air Return Grille



BAUCO<sup>®</sup> air return grill integrated into BAUCO<sup>®</sup> plus II architectural access panel



FRONT



REAR

*Integrate clean ventilation grilles flush with your finishes.  
Customize air return openings to fit with your designs.*

# BAUCO® air

## ARCHITECTURAL AIR RETURN GRILLE DESIGNED FOR DRYWALL



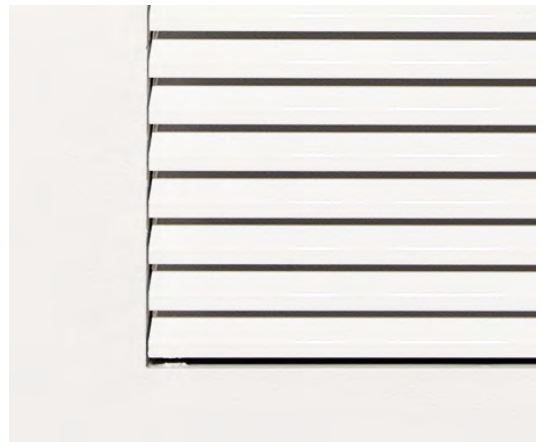
Clean and efficient air return grilles are integrated into our drywall access panels (**BAUCO® plus II**, **BAUCO® rondo**, **BAUCO® plus**), but these grilles also install into any GWB surface. Grilles are fitted into the drywall to be frameless and flush with the surface. Use in 1/2" or 5/8" drywall. Unique trim assembly allows for easy and clean finishing of the surrounding surface. Concealed hinge and touch latch mechanism lets you remove the grille core for cleaning without any tools

### BENEFITS FOR YOU

- Minimalist, frameless detailing, flush with the surface
- Easily removable grille core for cleaning and filter changes
- Filters can be attached to back of grille (supplied by others)
- Wall and ceiling configuration possible
- No separate openings required for air return and access panel
- Customize your grille in shape, size, and colour

### CORE DESIGN

Linear bar grilles feature precision heavy duty aluminum construction for clean, crisp styling and efficient air return. Vanes are angled at 49 degrees. Free area is 48%. Grille cores can be removed independently of the access panel door leaf. Available in anodized and powder coat finishes. Standard colour is white. Custom colours on request. Please Inquire!



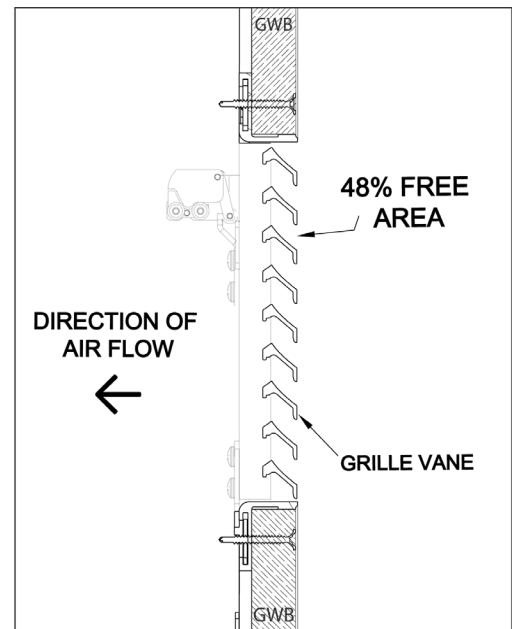


# BAUCO® air

## ARCHITECTURAL AIR RETURN GRILLE DESIGNED FOR DRYWALL

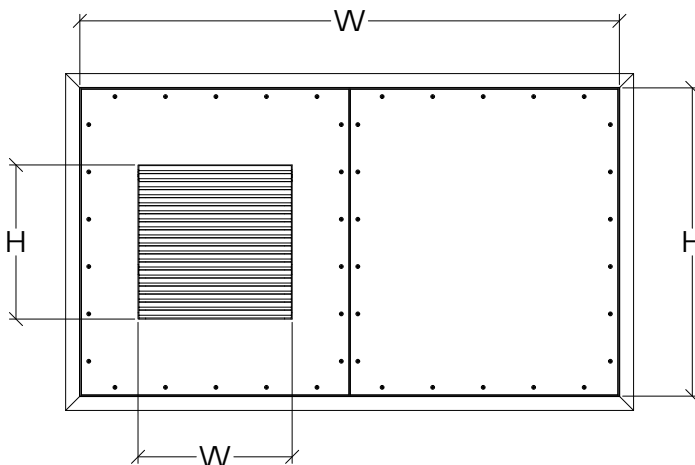
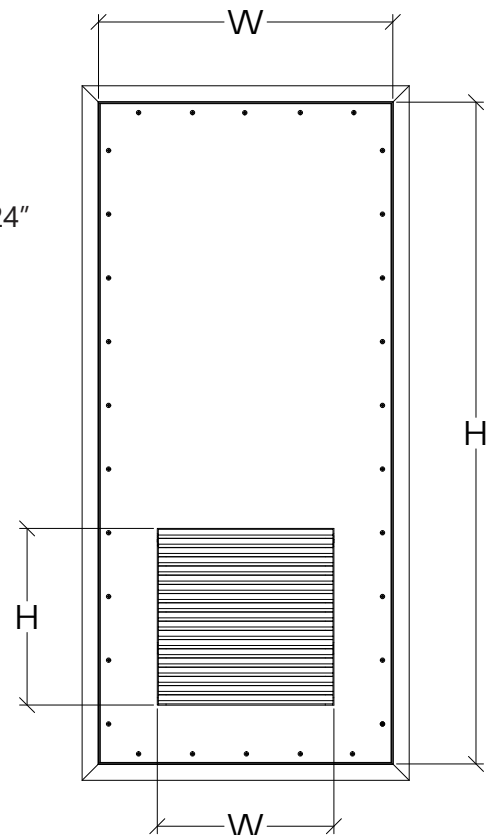
### AIR FLOW

- Free area is 48%
- Designed as an air return grille
- No factory ducting available
- Filters can be attached to back of grille frame with coil-spring fasteners



### COMMON CONFIGURATIONS

- **BAUCO® air** grilles integrate with a variety of standard and customized **BAUCO® plus II** access panels
- Common door sizes for access to vertical Air Conditione (VTAC) units are 48" x 48", 54" x 26", 58" x 30" with an integrated **BAUCO® air** grille of 20" x 20"
- Common sizes for access to ceiling HVAC units are: access panel 60" x 24" or 63" x 35" with an integrated grille from 20" x 20" to 24" x 24"
- **BAUCO® air** can be customized to meet your requirement, including custom colours



Two leaf ceiling access panel with **BAUCO® air**

Vertical access panel with **BAUCO® air**

# BAUCO® air

## ARCHITECTURAL AIR RETURN GRILLE DESIGNED FOR DRYWALL

### GRILLE CORE SIZES

- Stock sizes available: 12 x 12", 16 x 16", 20 x 20"
- Custom sizes up to 48" in width and 48" in height
- Nominal vs actual sizes, see table

\*This new design replaces previous grille cores\*

NOMINAL HEIGHT (IN)	ACTUAL HEIGHT (IN)
5	5.125
6	5.75
6.5	6.375
7	7
7.5	7.625
8/8.5	8.25
9	8.875
9.5	9.5
10	10.125
10.5/11	10.75
11.5	11.375
12	12

NOMINAL HEIGHT (IN)	ACTUAL HEIGHT (IN)
12.5	12.625
13/13.5	13.25
14	13.875
14.5	14.5
15	15.125
15.5/16	15.75
16.5	16.375
17	17
17.5	17.625
18/18.5	18.25
19	18.875
19.5	19.5

NOMINAL HEIGHT (IN)	ACTUAL HEIGHT (IN)
20	20.125
20.5/21	20.75
21.5	21.375
22	22
22.5	22.625
23/23.5	23.25
24	23.875
24.5	24.5
25	25.125
25.5/26	25.75
26.5	26.375
27	27

NOMINAL HEIGHT (IN)	ACTUAL HEIGHT (IN)
27.5	27.625
28/28.5	28.25
29	28.875
29.5	29.5
30	30.125
30.5	30.75
31/31.5	31.375
32	32
32.5	32.625
33/33.5	33.25
34	33.875

NOMINAL HEIGHT (IN)	ACTUAL HEIGHT (IN)
34.5	34.5
35	35.125
35.5	35.75
36/36.5	36.375
37	37
37.5	37.625
38/38.5	38.25
39	38.875
39.5	39.5
40	40.125
40.5	40.75

NOMINAL HEIGHT (IN)	ACTUAL HEIGHT (IN)
41/41.5	41.375
42	42
42.5	42.625
43/43.5	43.25
44	43.875
44.5	44.5
45	45.125
45.5	45.75
46/46.5	46.375
47	47
47.5/48	47.625

# BAUCO® air

## GRILLE CORE REMOVAL AND FINISHING INSTRUCTIONS

Finishing around the grilles in access panels and other drywall surfaces:

- Remove the grille core
- Finish the access panel with gypsum compound
- Paint
- Reinsert grille core

### REMOVE GRILLE CORE

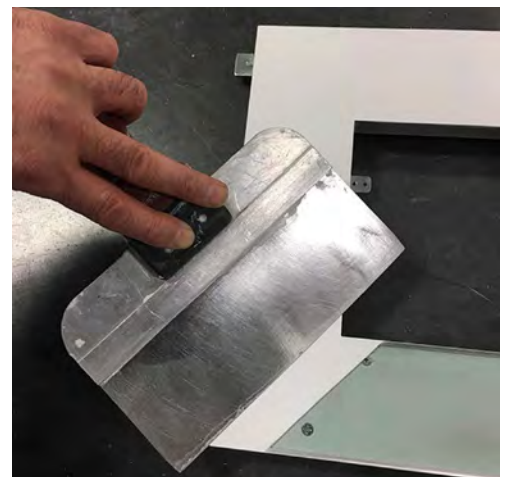
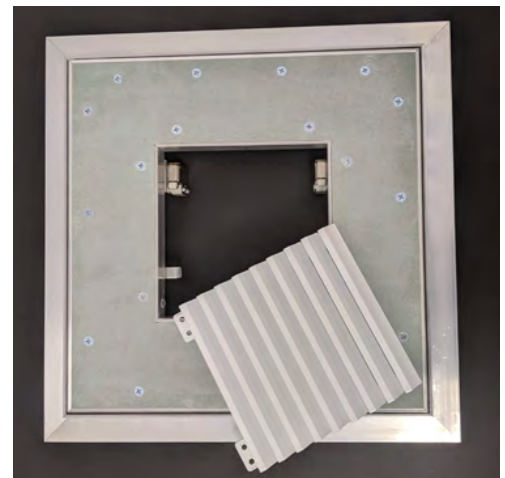
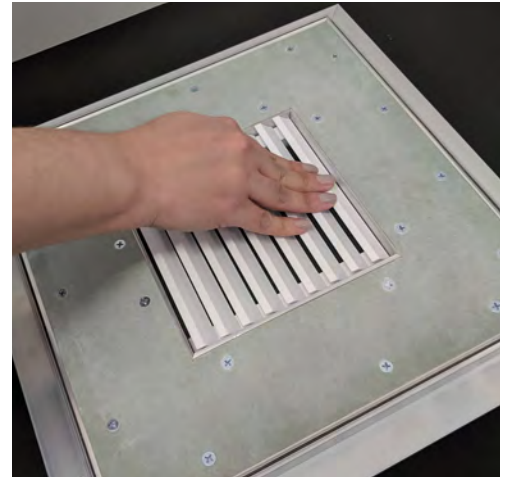
To finish an access panel with **BAUCO® air** grille you will need to remove the grille core from the door leaf. Press firmly on the top edge of the grille to release the concealed spring latches. The grille will tilt forward. Lift it upwards and angle it out of the opening. Set aside.

### FINISH DOOR LEAF

Apply filler compound to the door leaf up to the height of the top of the panel and grille aluminum frame.

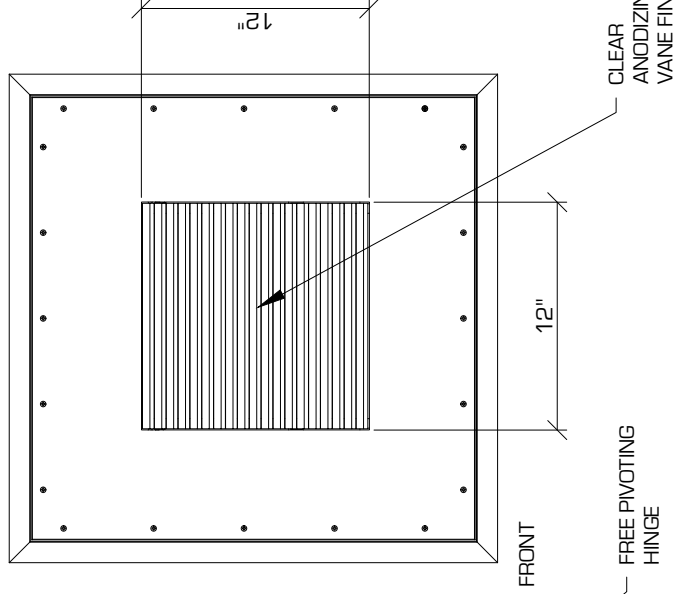
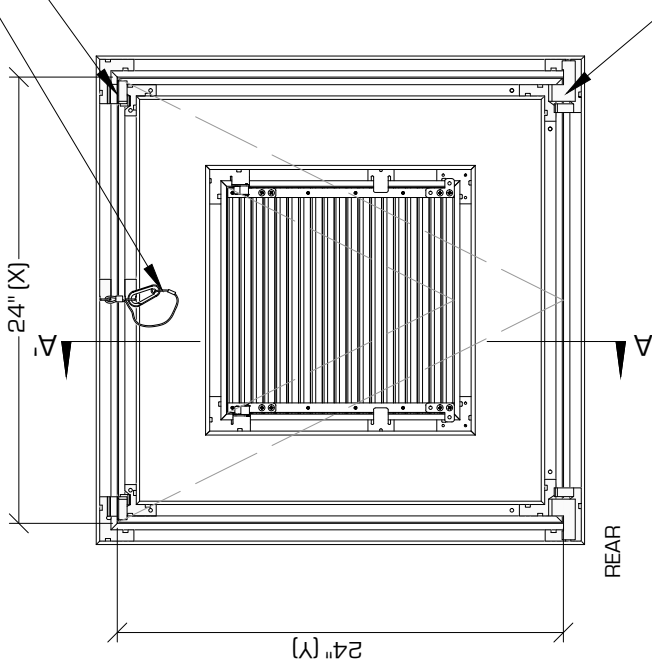
Sand and repeat until desired finish level.

To reinstall grille core into the opening, fit bottom of grille (flat steel hardware) into the opening. Press opposite side firmly into the opening to engage concealed spring touch latches.



# BAUCO PLUS II SINGLE LEAF CEILING ACCESS PANEL W/ BAUCO AIR GRILLE - 20-58-C-2424-TL - BAV-1212-A

SAFETY  
CABLE  
TOUCH  
LATCH



## BAUCO PLUS II

- FOR USE IN:
- ASSEMBLIES CLAD IN 5/8" (16mm) GYPSUM WALLBOARD
  - NEW CONSTRUCTION OR REPAIRS
  - ROUGH OPENINGS IN GWB WITHOUT ABUTTING STRUCTURES

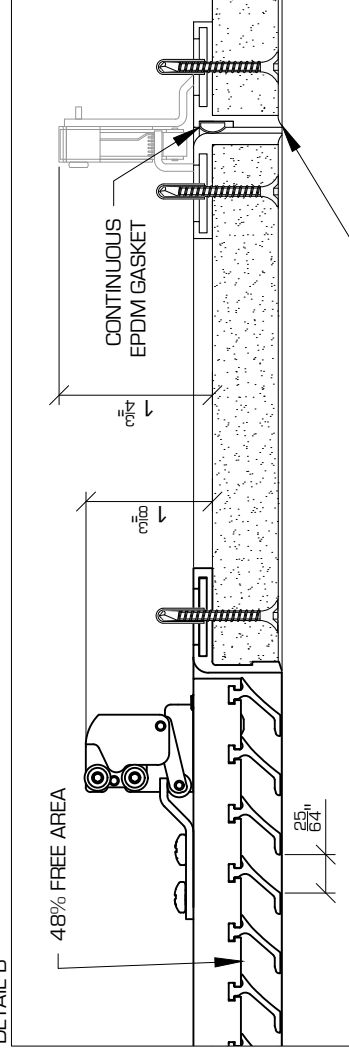
## STANDARD FEATURES:

- RECESSED ALUMINUM EXTRUSIONS WITH FRAME ACTING AS FINISHING EDGE
- 1/16" (2mm) GAP BETWEEN FRAME AND DOOR
- STRONG CONCEALED ALUMINUM FRAME AND HARDWARE
- EPDM RUBBER GASKET
- CONCEALED MECHANICAL TOUCH-LATCH STANDARD (OTHER LATCH OPTIONS AVAILABLE)
- MOISTURE/MOLD RESISTANT GWB INLAY
- FREE PIVOTING HINGE
- DOOR CAN BE REMOVED FOR MAXIMUM CLEARANCE

## BAUCO AIR

- SIMPLE AND MODERN RETURN AIR GRILLES WITH FULL SERVICE ACCESS
- UNIQUE TRIM ASSEMBLY ALLOWS FOR EASY FINISHING
- FINISHED GRILLE APPEARANCE IS FRAMELESS
- GRILLE MAY BE EASILY REMOVED WITHOUT TOOLS
- CLEAR ANODIZING OR POWDER COATED FINISH OF VANES
- 48% FREE AREA
- VANE DEFLECTION 49°

DETAIL B



**BAUCO® plus II**  
with **BAUCO® air** ARCHITECTURAL ACCESS PANEL WITH INTEGRATED RETURN AIR GRILLE



# BAUCO<sup>®</sup> softline

## Clean Flush Access Door



# BAUCO® softline

## CLEAN FLUSH ACCESS DOOR

### DESCRIPTION

**BAUCO® softline** is a flush-mount sheet-metal access door designed to be the most visually appealing and functional product of its kind. The installed door “hugs” the surrounding surface with its soft-transition frame flange that minimizes shadows and sight lines on all surfaces. The concealed hardware (hinge, latches, mounting anchors) adds to the appearance allows the door leaf to be removed for unobstructed access.

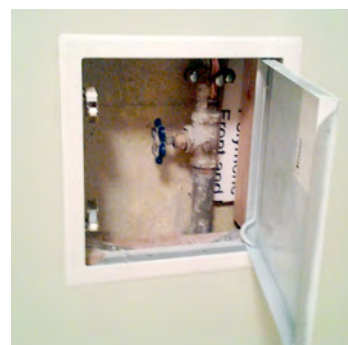
**BAUCO® softline** is also available with keyed cabinet locks.

### FOR USE IN

- Wall or ceiling applications
- New construction or repairs
- Replacement of unsightly existing panels
- Create access openings without having to paint or mud
- Rough openings independent of joists/studs
- Creating access in wood, brick, drywall, concrete, or tiled surfaces
- This product is not fire rated

### BENEFITS

- Clean finishes and minimal disruption to sight-lines
- No painting required
- Simple installation with adjustable anchors
- Functional access for walls or ceilings
- Fully removable door leaves



# BAUCO® softline

GALVANIZED SHEET-METAL ACCESS DOOR WITH SOFT-TRANSITION FRAME AND CONCEALED HARDWARE



## FRAMING GUIDE

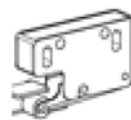


## STANDARD FEATURES

- Concealed hinge
- Fully removable door
- Soft-transition flush frame, minimal shadow gaps
- Mounts through holes in frame and in adjustable anchor straps
- Galvanized sheet metal (1 mm thickness)
- White powder-coated finish (RAL 9016)

## LATCH OPTIONS

Touch Latch



Keyed Lock



## CUSTOM SIZES AVAILABLE

In Quantities Over 100

# BAUCO® softline

## IMPERIAL SIZE CHART FOR STANDARD SIZES

Model Number					
Keyed Lock	Touch Latch	Nominal	Rough Framed Opening (A)	Clear Opening (B)	Overall Size (C)
	30-0606-TL	6" x 6"	6" x 6"	5" x 5 1/2"	7 1/4" x 7 1/4"
30-0808-K	30-0808-TL	8" x 8"	8" x 8"	7" x 7 1/2"	9 1/4" x 9 1/4"
30-1212-K	30-1212-TL	12" x 12"	11 3/4" x 11 3/4"	10 7/8" x 11 3/8"	13 1/8" x 13 1/8"
30-1616-K	30-1616-TL	16" x 16"	15 3/4" x 15 3/4"	14 3/4" x 15 1/4"	17" x 17"
30-1818-K	30-1818-TL	18" x 18"	17 1/2" x 17 1/2"	16 1/4" x 16 1/2"	19 1/4" x 19 1/4"
30-2020-K	30-2020-TL	20" x 20"	20 1/8" x 20 1/8"	19" x 19"	21 7/8" x 21 7/8"
30-2424-K	30-2424-TL	24" x 24"	23 1/4" x 23 1/4"	22" x 22 1/4"	25" x 25"
	30-2230-TL	22" x 30"	22 1/4" x 30"	21" x 28 3/4"	23 7/8" x 31 5/8"
	30-2236-TL	22" x 36"	22 1/4" x 36"	21" x 34 3/4"	23 7/8" x 37 5/8"
30-2448-K		24" x 48"	24 1/8" x 48 1/8"	23 1/8" x 47 1/8"	25 7/8" x 49 7/8"





# BAUCO SOFTLINE ACCESS DOOR - TOUCH LATCH

## FOR USE IN:

- ALL WALL AND CEILING ASSEMBLIES
- CLOSING OPENINGS WITHOUT HAVING TO PAINT OR MUD
- ROUGH OPENINGS IN CLADDING WITHOUT ABUTTING STRUCTURAL STUDS
- CREATING ACCESS IN WOOD, BRICK, DRYWALL, CONCRETE OR TILED SURFACES

## BENEFITS:

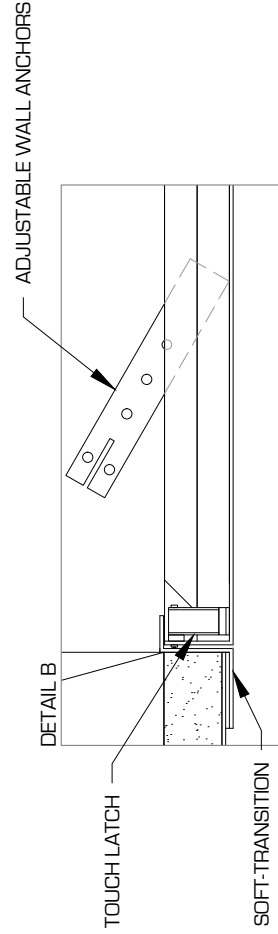
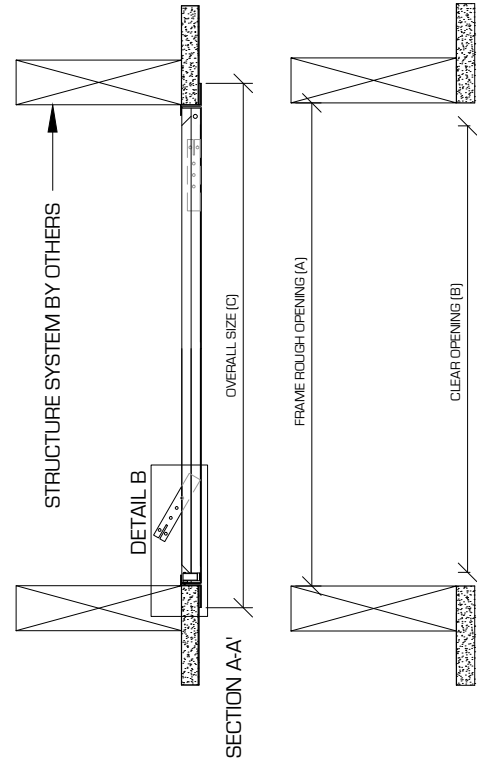
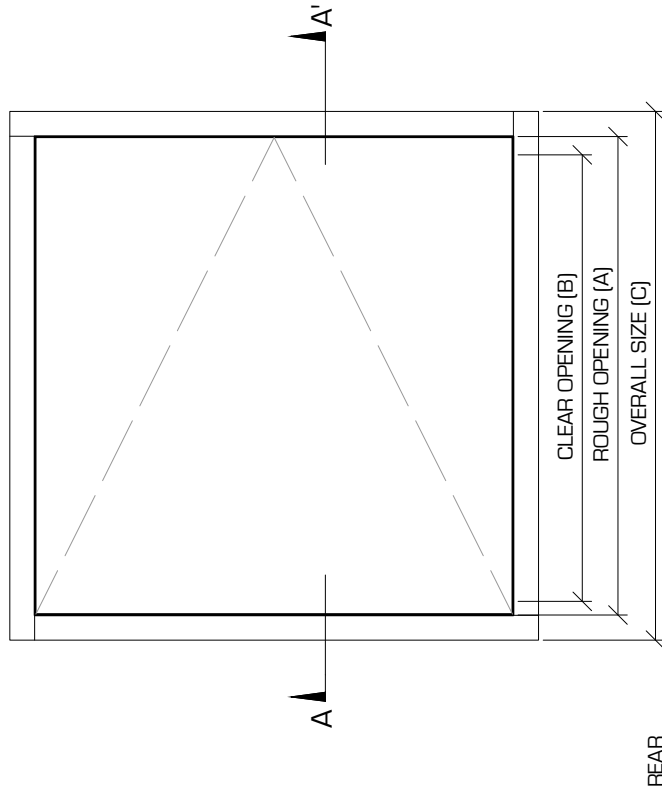
- CLEAN FINISHES & MINIMAL DISRUPTION TO SIGHTLINES
- NO PAINTING REQUIRED (CAN BE PAINTED WITH MINIMAL SURFACE PREPARATION)
- SIMPLE INSTALLATION IN STUDS, STONE, OR BRICK, WITH ADJUSTABLE ANCHORS
- FUNCTIONAL ACCESS FOR WALLS OR CEILINGS
- MAXIMUM UNRESTRICTED ACCESS WITH FULLY REMOVABLE DOOR LEAVES

## STANDARD FEATURES:

- GALVANIZED, SHEET METAL (THICKNESS 1 MM)
- WHITE POWDER-COATED FINISH (RAL 9016)
- CONCEALED HINGE
- FULLY REMOVABLE DOOR
- CONCEALED MECHANICAL TOUCH LATCH
- SOFT-TRANSITION FLUSH FRAME, MINIMAL SHADOW GAPS
- MOUNTS TO STUDS, STONE, BRICK, ETC. THROUGH HOLES IN FRAME & IN THE ADJUSTABLE ANCHOUR STRAPS

## LATCH OPTIONS

- CONCEALED TOUCH LATCH (STOCK ITEM)
- KEYED CABINET LOCK, KEYED ALIKE (STOCK ITEM)



# BAUCO SOFTLINE ACCESS DOOR - KEYED LOCK

## FOR USE IN:

- ALL WALL AND CEILING ASSEMBLIES
- CLOSING OPENINGS WITHOUT HAVING TO PAINT OR MUD
- ROUGH OPENINGS IN CLADDING WITHOUT ABUTTING STRUCTURAL STUDS
- CREATING ACCESS IN WOOD, BRICK, DRYWALL, CONCRETE OR TILED SURFACES

## BENEFITS:

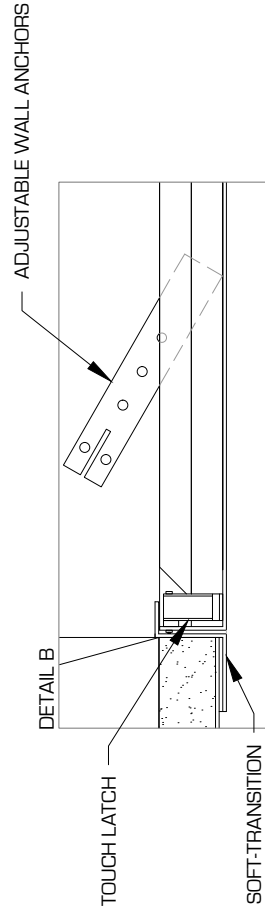
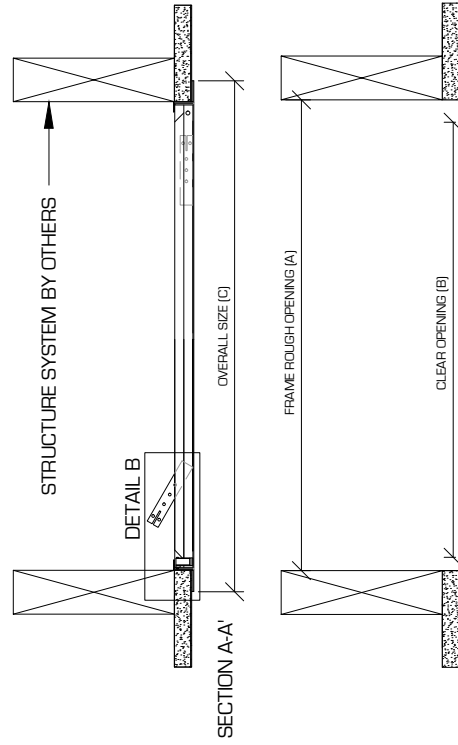
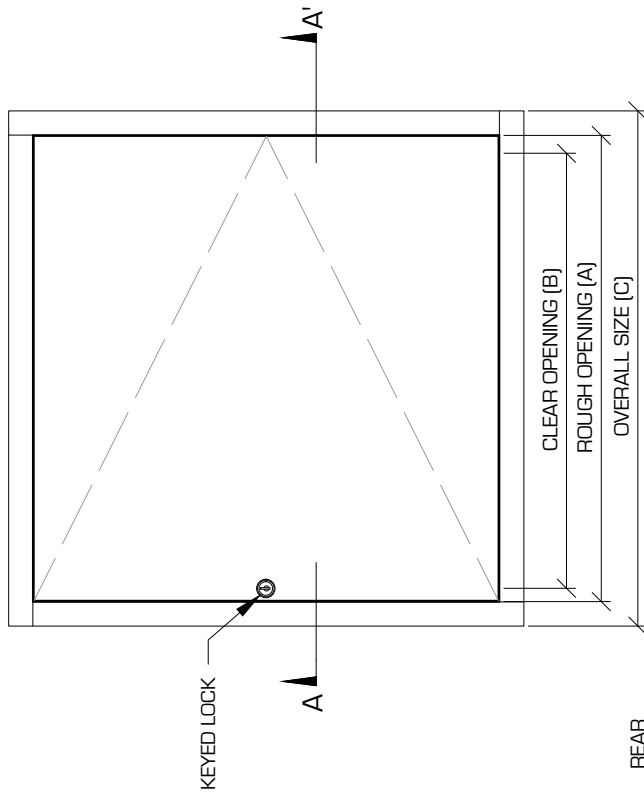
- CLEAN FINISHES & MINIMAL DISRUPTION TO SIGHTLINES
- NO PAINTING REQUIRED (CAN BE PAINTED WITH MINIMAL SURFACE PREPARATION)
- SIMPLE INSTALLATION IN STUDS, STONE, OR BRICK, WITH ADJUSTABLE ANCHORS
- FUNCTIONAL ACCESS FOR WALLS OR CEILINGS
- MAXIMUM UNRESTRICTED ACCESS WITH FULLY REMOVABLE DOOR LEAVES

## STANDARD FEATURES:

- GALVANIZED, SHEET METAL (THICKNESS 1 MM)
- WHITE POWDER-COATED FINISH (RAL 9016)
- CONCEALED HINGE
- FULLY REMOVABLE DOOR
- CONCEALED MECHANICAL TOUCH LATCH
- SOFT-TRANSITION FLUSH FRAME, MINIMAL SHADOW GAPS
- MOUNTS TO STUDS, STONE, BRICK, ETC. THROUGH HOLES IN FRAME & IN THE ADJUSTABLE ANCHOUR STRAPS

## LATCH OPTIONS

- CONCEALED TOUCH LATCH (STOCK ITEM)
- KEYED CABINET LOCK, KEYED ALIKE (STOCK ITEM)



SECTION A-A' WITHOUT ACCESS PANEL

**BAUCO® softline** ARCHITECTURAL ACCESS PANEL WITH CONCEALED HARDWARE

**Project Name:**  
**Project Number:**

**Item Number:**  
**Item Description:**

Manufacturer: Bauco Access Panel Solutions  
Address: 834 Devonshire Road, Victoria, BC Canada V9A 4T4  
Telephone: 1-250-592-0033 Toll-free Telephone: 1-877-592-0033  
Fax: 1-250-592-7587 Toll-free Fax: 1-877-592-7587  
Email: info@accesspanelsolutions.com

**Model Number:** Softline 30-\_\_\_\_-TL \*series

**Model Name:** **BAUCO® softline** galvanized sheet metal access panel

**Description:** Soft transition edge metal access panel with no edge shadow.  
No sharp edges, no seams, or miter jointed corners.  
Complete with rear adjustable tabs for mounting.  
Low profile access panels rise only 1.8mm above finished surface.  
Installs flush in walls or ceilings.  
Hardware free finish, opens with concealed touch latches.  
Suitable for new construction and repairs.  
Panels arrive ready for installation.  
Powder coat painted white (RAL 9016)



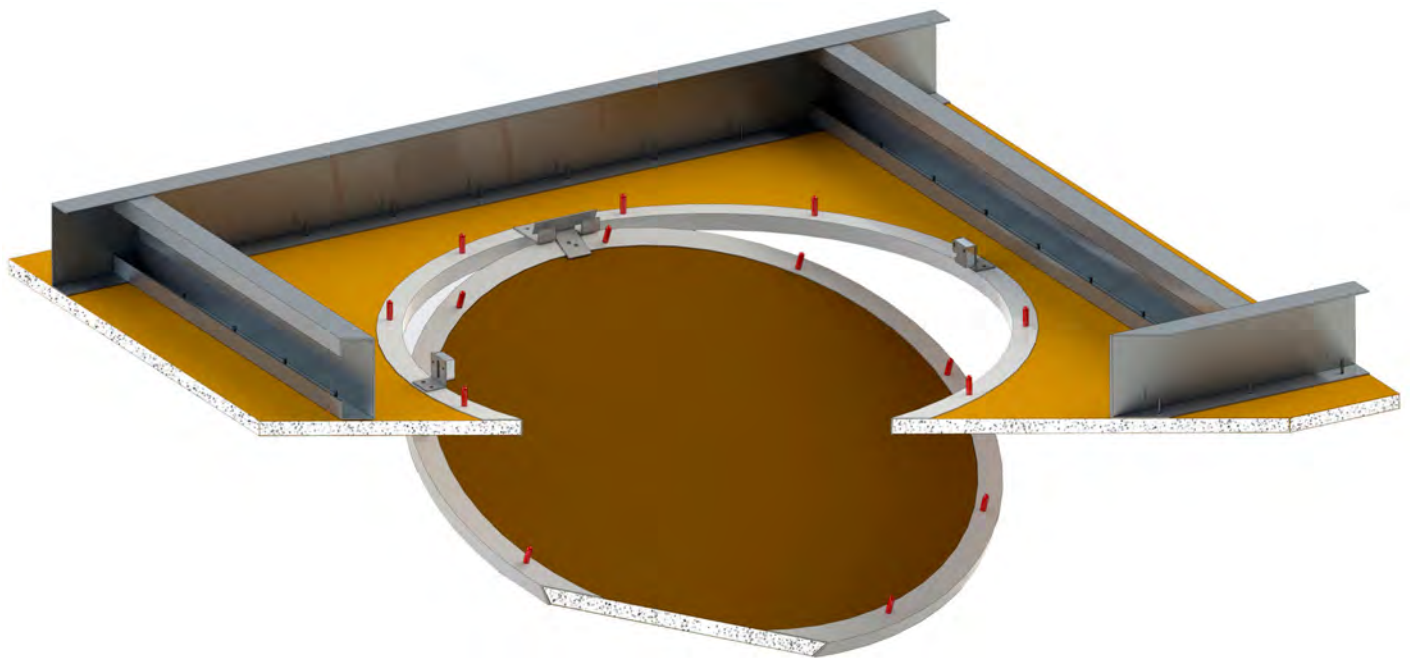
**Dimensions:** Standard sizes: 6" x 6", 8" x 8", 12" x 12", 16" x 16", 18" x 18",  
20" x 20", 24" x 24", 22" x 30", 22" x 36", 24" x 48".  
Custom sizes available in large production runs over 100 units,  
call for more details.

**Sizing:** For a proper fit, the cut opening has to be the door size (A) + 1/4".

**Notes:** \* Middle 4 digits indicate size  
e.g. 30-1212-TL = 12" x 12" square panel with touch latches.  
Options: Key lock = K

# BAUCO® rondo

## Circular Access Panels for Drywall





# BAUCO® rondo

## CIRCULAR ACCESS PANELS DESIGNED FOR DRYWALL

### DESCRIPTION

The **BAUCO® rondo** is a circular gypsum wallboard access panel based on the design principles of the square **BAUCO® plus II** model. The concealed hardware lets it blend seamlessly with the surrounding wall or ceiling. Once installed and finished a clean 1/16" void is all that remains visible. All elegant and functional treatments can be applied to the door as well.

### FOR USE IN

- All assemblies clad in gypsum wallboard, 1/2" or 5/8"
- Wall or ceiling installation
- New construction or repairs
- Rough openings in GWB without abutting structures
- Maximum clearance with removable door leaf
- This product is not fire rated

### BENEFITS

- Circular access to match other curvilinear design features
- Consistent continuous surfaces for virtually invisible access
- 1/16" (2 mm) visible gap
- Apply your choice of surface treatments directly to the door leaf
- Superior acoustics with gasket and mass of GWB in door

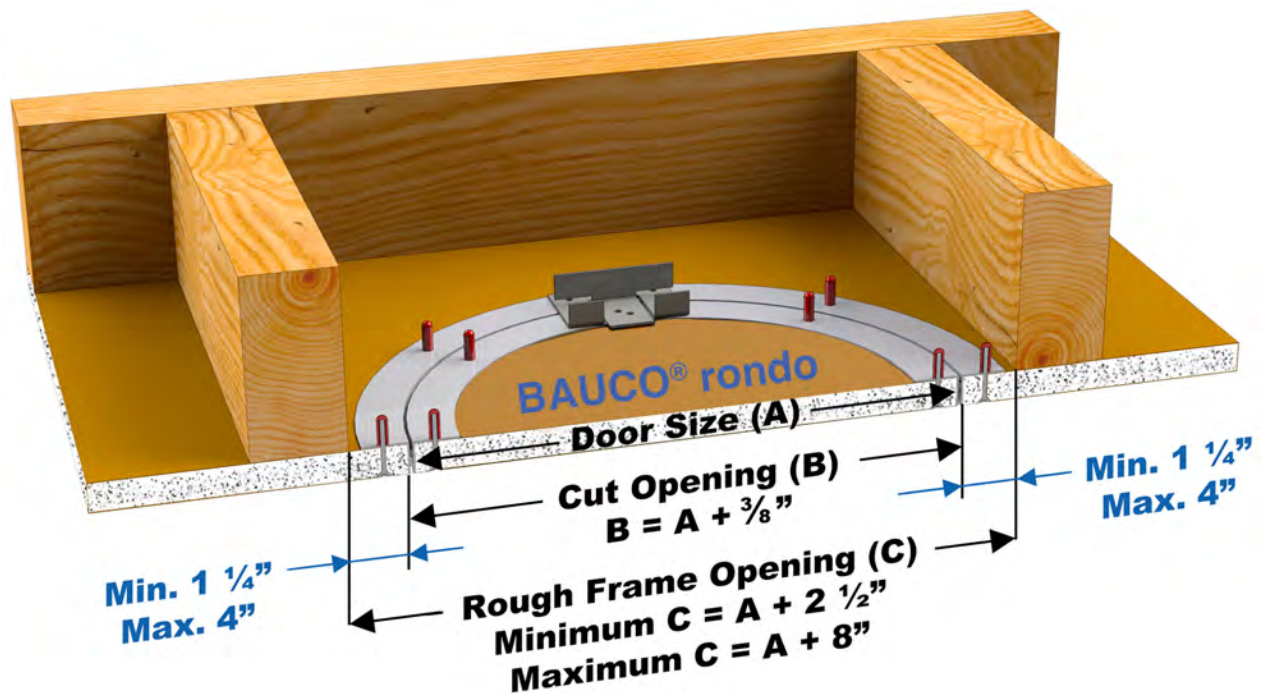


# BAUCO® rondo

ARCHITECTURAL ACCESS PANEL WITH CONCEALED HARDWARE AND GYPSUM BOARD INLAY



## FRAMING GUIDE



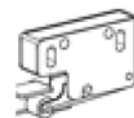
## STANDARD FEATURES

- Concealed mechanical touch latch
- Concealed hardware (frame, latch, and hinge)
- Frame fits both 1/2" and 5/8" material
- Fully removable door panel with safety cables
- Moisture resistant gypsum wallboard inlay

**SIZES AVAILABLE: 12", 16", AND 24"**

## LATCH OPTIONS

Touch Latch



Keyed Lock



CAM Latch



TORX Latch



# BAUCO RONDO CIRCULAR CEILING ACCESS PANEL

**FOR USE IN:**

- ALL ASSEMBLIES CLAD IN GYPSUM WALL BOARD
- CEILING INSTALLATION
- NEW CONSTRUCTION OR REPAIRS
- ROUGH OPENINGS IN GWB WITHOUT ABUTTING STRUCTURES

**BENEFITS:**

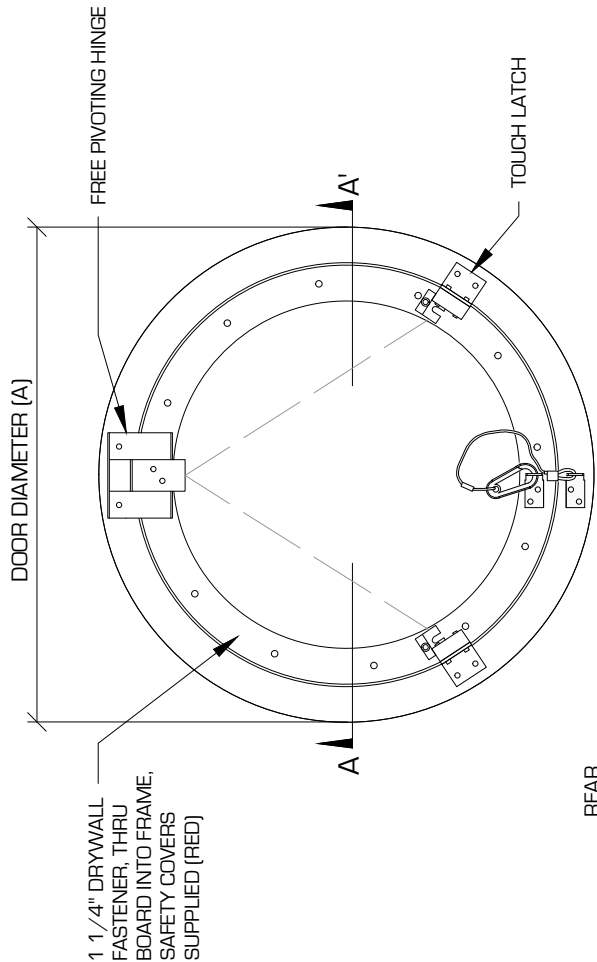
- CIRCULAR ACCESS TO MATCH OTHER CURVILINEAR DESIGN FEATURES
- CONSISTENT CONTINUOUS SURFACES FOR VIRTUALLY INVISIBLE ACCESS (ONLY A 1/16" 1.5 MM VOID REMAINS VISIBLE).
- SUPERIOR SOUND BARRIER MAINTAINED BY MASS OF GYPSUM WALLBOARD IN DOOR.
- GYPSUM SURFACES SUITED TO ELEGANT AND FUNCTIONAL TREATMENTS.
- UNENCUMBERED ACCESS WITH REMOVABLE DOOR LEAF
- EASY INSTALLATION WITH COMMON TROWEL TOOLS.

**STANDARD FEATURES:**

- CONCEALED HARDWARE (FRAME, LATCH & HINGE)
- FRAME FITS BOTH 1/2" & 5/8" MATERIAL FULLY REMOVABLE DOOR PANEL WITH SAFETY CABLES
- MECHANICAL CONCEALED TOUCH LATCH
- MOISTURE RESISTANT GYPSUM WALLBOARD INLAY

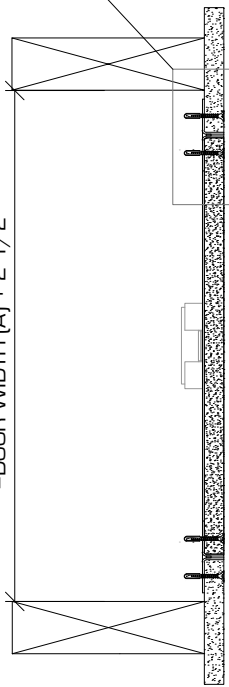
**OPTIONS:**

- CAM LATCH



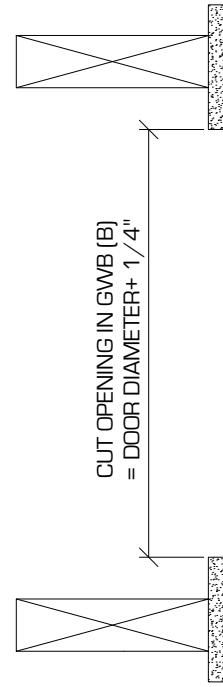
REAR

ROUGH OPENING (C)  
= DOOR DIAMETER (A) + 2 1/2"



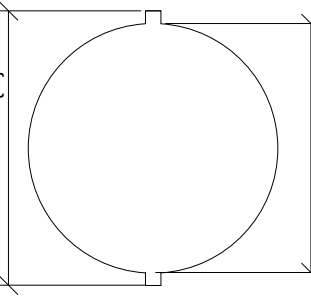
SECTION A-A'

CUT OPENING IN GWB (B)  
= DOOR DIAMETER + 1/4"



SECTION A-A' WITHOUT ACCESS PANEL

CUT OPENING INTO GYPSUM BOARD,  
PASS FRAME THROUGH AND LAY DOWN  
DOOR DIAMETER (A) + 2"



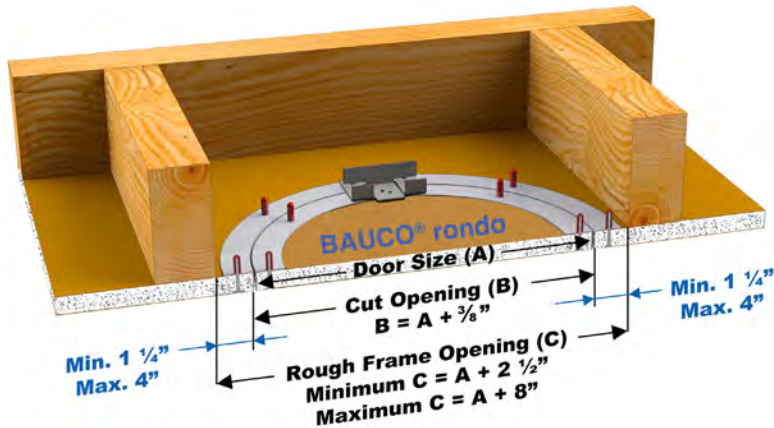
NOMINAL SIZE	MODEL NUMBER	DIAMETER (A)	
		INCH	MM
12"	20-58-300D/A	11 7/8" ID	300 ID
16"	20-58-400D/A	15 3/4" ID	400 ID
24"	20-58-600D/A	23 5/8" ID	600 ID

# BAUCO® rondo

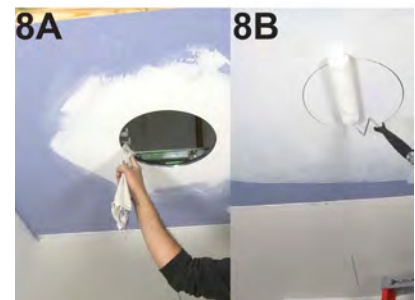
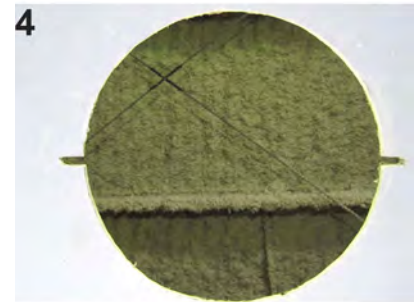
## INSTALLATION INSTRUCTIONS



### FRAMING GUIDE



1. Frame/block ceiling as outlined above. Take measurements for reference to center of circle.
  2. Separate outside frame from access panel assembly. Open touch latches, unhook safety cable, and pull out the door leaf.
- Tip: Place outer frame in ceiling area on top of joist if possible for later retrieval.
3. Drywall ceiling. Transfer circle center point.
  4. Cut out opening in drywall in appropriate spot. Remove any frayed edges and debris from back of drywall. If outside frame was stashed in ceiling before drywall installed, locate this now. If not, cut two notches 1" deep at opposite points on the circle so outside frame can be passed through the opening.
  5. Pull frame into place against the back of the drywall ensuring that the mounting flange contacts solidly against the surface of the back of drywall. The frame edge should protrude slightly beyond the face of the drywall.
  6. Holding the frame firmly in place, attach with metal cutting drywall screws. It is very important to place screws on either side of hinge bracket and touch latch brackets without screwing through the steel component. The maximum distance between screws is 4"
  7. Apply filler compound up to rim of access panel frame (7A). Fill access panel door leaf up to the top of metal frame (7B).. Frame height is height of finish. Ensure all gaps tightly filled. Let dry, sand, and repeat until desired finish is achieved.
  8. Clean excess filler and dust from access panel frames (8A). Prime and paint the same as surrounding ceiling area (8B).





XL

# BAUCO<sup>®</sup> XL

Extra-large, hinged, virtually invisible, access panel



# BAUCO® XL

Extra-large, hinged, virtually invisible, access panel

## DESCRIPTION

BAUCO® XL is a drywall access panel with concealed hardware, extra rugged frame, solid finishing bead, and proprietary fixed hinge. The door is designed for large yet functional access openings (primarily in walls) that blend seamlessly with the surrounding finishes. The door hinges via a virtual pivot-point, which minimizes the potential for mechanical damage to the leading edges. The door leaf can easily be removed for clear access. The BAUCO® XL is available in standard sizes starting from 24" x 36" to almost any custom size (inquire!).

## BAUCO XL COMPARED TO BAUCO plus II

- Box-style frame fastens to studs
- Integrated finishing bead
- Fully hinged door swings left or right in walls
- Larger size of single door leaf in walls (up to 22 sq.ft)

## APPLICATIONS

- The BAUCO XL is designed for large access openings in walls (ceilings possible)
- The front-mounted frame with bead can be used in any guage or drywall
- New construction or retro-fitting, without reframing and re-boarding of rough openings
- Non fire-rated assemblies

## BENEFITS

- Virtually invisible, fully customizble, access openings
- Minimal 2mm (5/64") visible reveal
- Door leaf with concealed hinge swings open to 105 degrees
- No shadow gaps due to recessed or proud installation
- Apply your treatments across surface for continuous finish
- Superior acoustics with gasket + mass of GWB in door (STC tested)
- Custom sizes, custom inlays, and custom hardware

## MATCH YOUR DESIGN

The concealed hardware, variety of inlay's, and flush finishes allow for a variety of surface treatments. Finishing (by others): paint, plaster, stucco, tile, wall coverings, veneer and millwork.

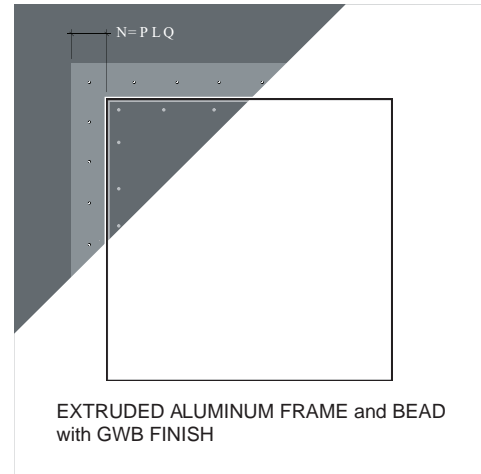


# BAUCO® XL

Extra-large, hinged, virtually invisible, access panel

## STANDARD FEATURES

- Heavy-duty aluminum frame with finishing bead
- Countersunk holes in frame for flush front mounting
- Easily unhinged / removable door leaf with concealed steel hardware
- Perimeter gasket made of closed-cell foam-filled rubber
- Moisture and mold resistant drywall inlay



## IMPERIAL/METRIC SIZE CHART FOR STANDARD SIZES (NOMINAL DOOR)

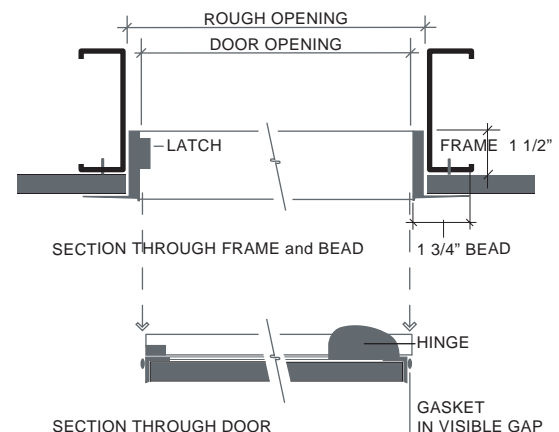
Model Number	Access Door Size inch (mm)	Minimum Rough Opening	Weight (lbs)
40-W-2436-TL	24" x 36" (609.6 x 914.4)	25 1/4" x 37 1/4" (645 x 950)	22.5
40-W-3636-TL	36" x 36" (914.4 x 914.4)	37 1/4" x 37 1/4" (950 x 950)	33.8
40-W-2448-TL	24" x 48" (609.6 x 1219.2)	25 1/4" x 49 1/4" (645 x 1255)	30.0
40-W-4848-TL	48" x 48" (1912.2 x 1912.2)	49 1/4" x 49 1/4" (1255 x 1255)	60.0
40-W-3060-TL	30" x 60" (762 x 1524)	31 1/4" x 61 1/4" (798 x 1560)	46.9
40-W-3072-TL	30" x 72" (762 x 1828.8)	31 1/4" x 73 1/4" (798 x 1864)	56.3

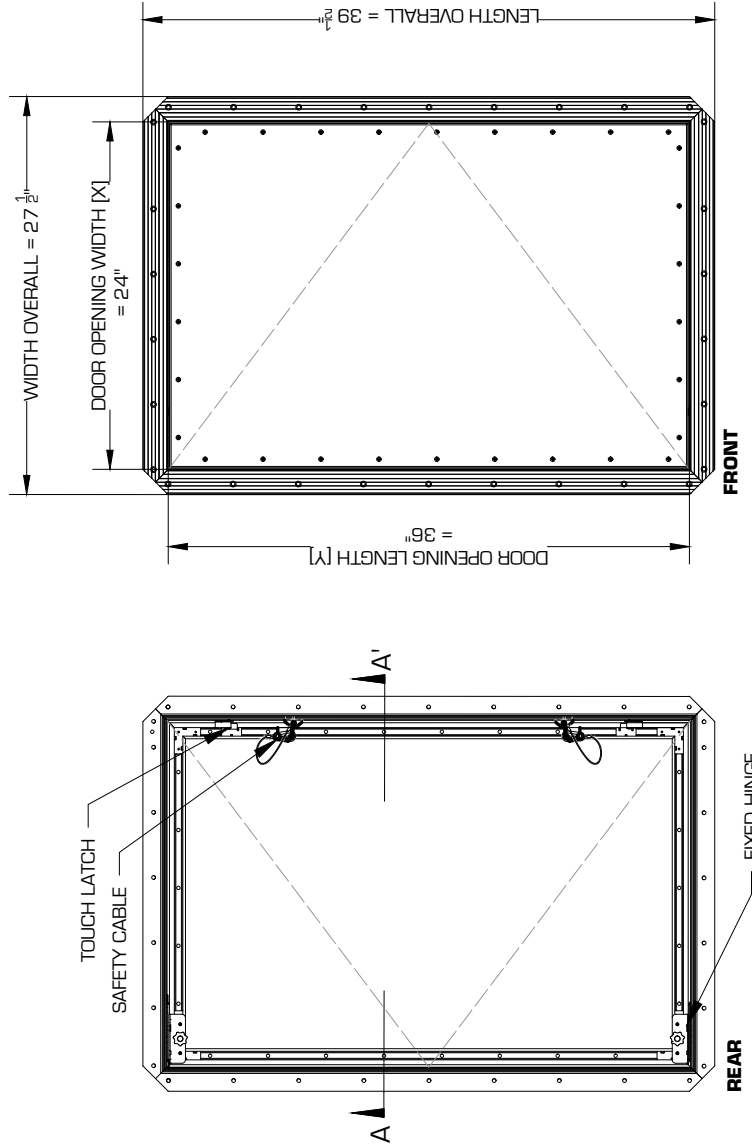
\*Door leaf inlay is 5/8" GWB TL = Mechanical Touch Latch (Standard) K = Keyed Lock (Optional) CAM = Cam latch (Optional)

- Rough openings are nominal door size plus 1 1/4".
- Overall product with bead measures nominal door width/height plus 3 1/2".

## CUSTOM SIZES & OPTIONS

- Custom sizes with short lead times. Larger openings with two leaves. Single leaf up to 22 sq ft
- Adjust the size and shape
- Option of two hinged leaves (bombay style without centre bar)
- Latch (concealed, cam, tamper-resistant, or keyed)
- Customize your inlay (wood, acoustic board, tile backer, etc.)
- Paint-ready option. The panels are shipped with a highly durable, factory-primed door leaf that reduces installation time.





**BAUCO XL ACCESS PANEL WITH FIXED HINGE AND FINISHING BEAD FOR USE IN**

- ASSEMBLIES CLAD IN GYPSUM WALL BOARD AND SIMILAR SHEETING
- ALL THICKNESSES OF SHEETING
- PRIMARILY DESIGNED FOR LARGER OPENINGS IN WALLS - CEILINGS POSSIBLE. (SEE ALSO BAUCO PLUS II)
- NEW CONSTRUCTION OR REPAIRS
- EXISTING ROUGH OPENINGS
- NON FIRE RATED ASSEMBLIES

**STANDARD FEATURES**

- CONCEALED HARDWARE AND FRAME
- HEAVY DUTY OUTER FRAME WITH INTEGRATED FINISHING BEAD
- LEFT OR RIGHT SWINGING HINGE
- COUNTERSUNK HOLES IN FRAME FOR FLUSH MOUNTING TO SURROUNDING ASSEMBLY
- EASILY DETACHED REMOVABLE DOOR LEAF WITH CONCEALED HARDWARE
- NYLON COATED SPRING SNAP CARABINEER SAFETY CABLE

**ACOUSTICS AND SEAL**

- STC TESTED AGAINST ASTM E90
- ACOUSTIC BOARD INLAY AVAILABLE
- SUPERIOR RESISTANCE TO AIR LEAKAGE PER ASTM E283

**MATERIALS**

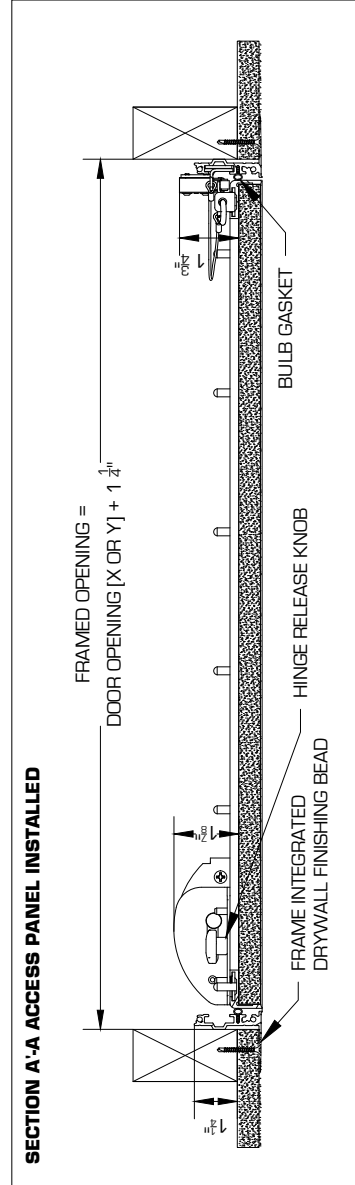
- ALUMINUM EXTRUDED FRAME AND FINISHING BEAD
- HEAVY GAUGE GALVANIZED STEEL HARDWARE
- CLOSED CELL FOAM FILLED RUBBER GASKET
- MOLD AND MOISTURE RESISTANT GYPSUM WALLBOARD, TYPE X 5/8" (15.9 mm)
- VINYL SAFETY CAPS

**HINGE**

- HEAVY DUTY GALVANIZED STEEL HINGE
- OPENS TO 105 DEGREES
- DEMOUNTABLE DOOR LEAF WITH HAND FASTENING KNOBS
- VARIABLE PIVOT POINT

**LATCH**

- CONCEALED MECHANICAL TOUCH LATCH
- OPTIONAL KEYPED LOCK
- OPTIONAL CAM LATCH (SLOT OR TORX HEAD)



**BAUCO XL ARCHITECTURAL ACCESS PANEL WITH CONCEALED HARDWARE AND GYPSUM BOARD INLAY**

APPROVED BY

PROJECT NAME

8324 DEVONSHIRE ROAD VICTORIA,  
BRITISH COLUMBIA CANADA V8A 4T4  
P - 250.592.0033 / TF - 877.592.0033  
F - 250.595.0513 / TF - 877.592.7587  
W - www.accesspanelsolutions.com  
E - info@accesspanelsolutions.com

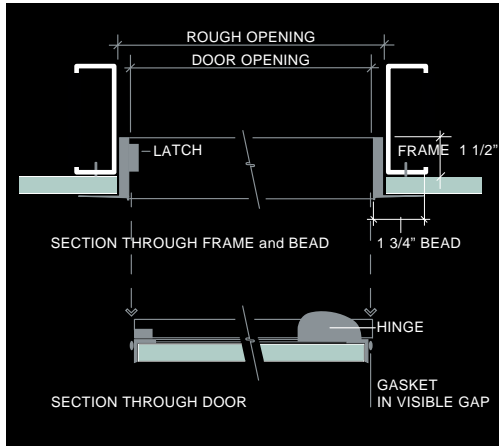


DATE

CLIENT



## Step 1: Prepare the Rough Opening

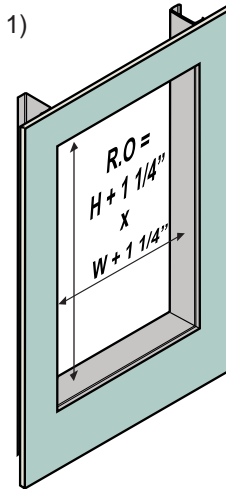


**RO Dimension = Door Size + 1 1/4"**

For Example: Access Panel 60" tall x 30" wide in wall, the R.O must be 61 1/4" tall x 31 1/4" wide.

- Ensure the framing is square, level and plumb.

(Fig. 1)



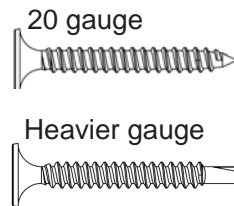
## Step 2: Position, Align and Secure in R.O

- Place the closed access panel into the R.O to test the fit.
- Door can be used for either left or right swing.
- Take care not to strip the fastener hole in the framing.
- Start by placing the first fastener a top end of the side opposite the hinge (latch side (A) Fig.3) Then align that edge to be plumb and secure it from top to bottom with fasteners.
- Next lift lower end of the hinge side (Fig.3) until visible gap (---) looks evenly spaced (2mm or 5/64") all around and fix with first fastener on hinge side. Then place fasteners all along hinge side.
- Finish by placing fasteners in all holes at top and bottom of opening.
- Open door leaf and check for smooth function.

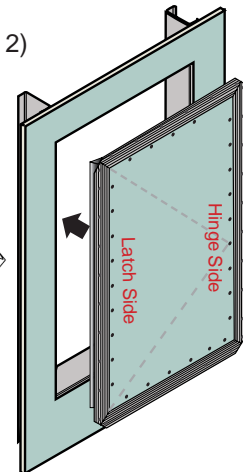
\*Finishing bead should sit snug/tight against drywall.

### Important Notes:

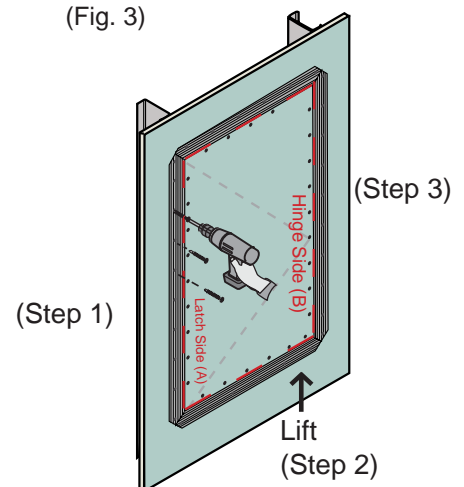
- Install fasteners to all countersunk holes
- Re-tighten all fasteners in a 2nd pass as needed



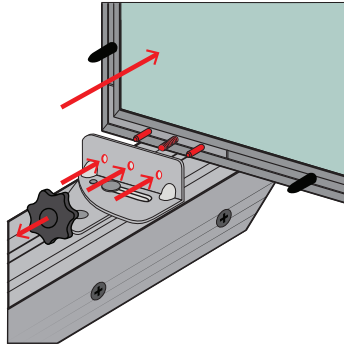
(Fig. 2)



(Fig. 3)



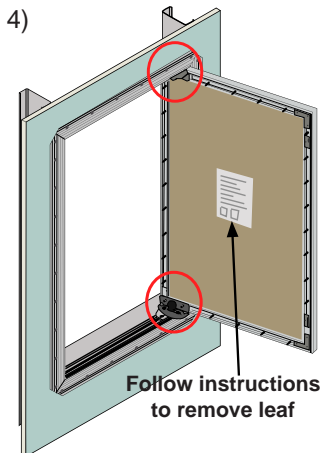
## Step 4: Remove Door Leaf for Finishing



(Fig. 5)

- Open door leaf and locate black knobs at top and bottom hinge. (Fig. 4)
- Loosen the black knobs and carefully disengage the door leaf from the hinge. (Fig. 5)

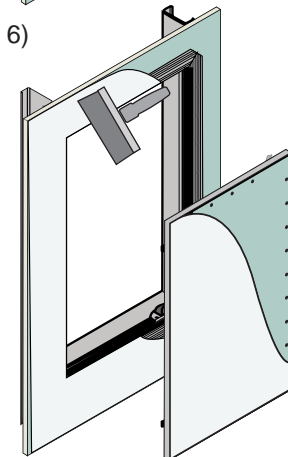
(Fig. 4)



(Fig. 6)

## Step 5: Apply Filler Compound to Outer Frame

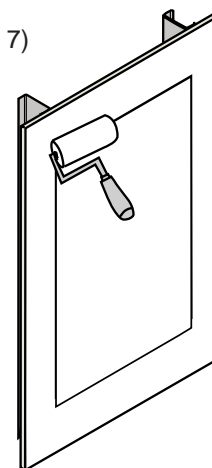
- Apply a first coat of drywall compound to the bead. A setting-type compound is recommended for the first coat.
- Note that it is not necessary to tape the transition from the aluminum bead to the drywall.
- Let dry, sand, and apply more coats of filler until the desired finish is achieved. (Fig. 6)
- Apply drywall compound to the door leaf. Do not leave compound above the leading edge of the frame.
- Let dry, sand and apply subsequent coats of filler until the desired finish is achieved.



## Step 6: Clean Frame and Gasket

- Use a wet cloth or gentle sanding sponge to remove any excess mud from aluminum door frame, gasket, and door leaf.
- Tip: Apply silicon lubricant to the gasket for superior operation.

(Fig. 7)

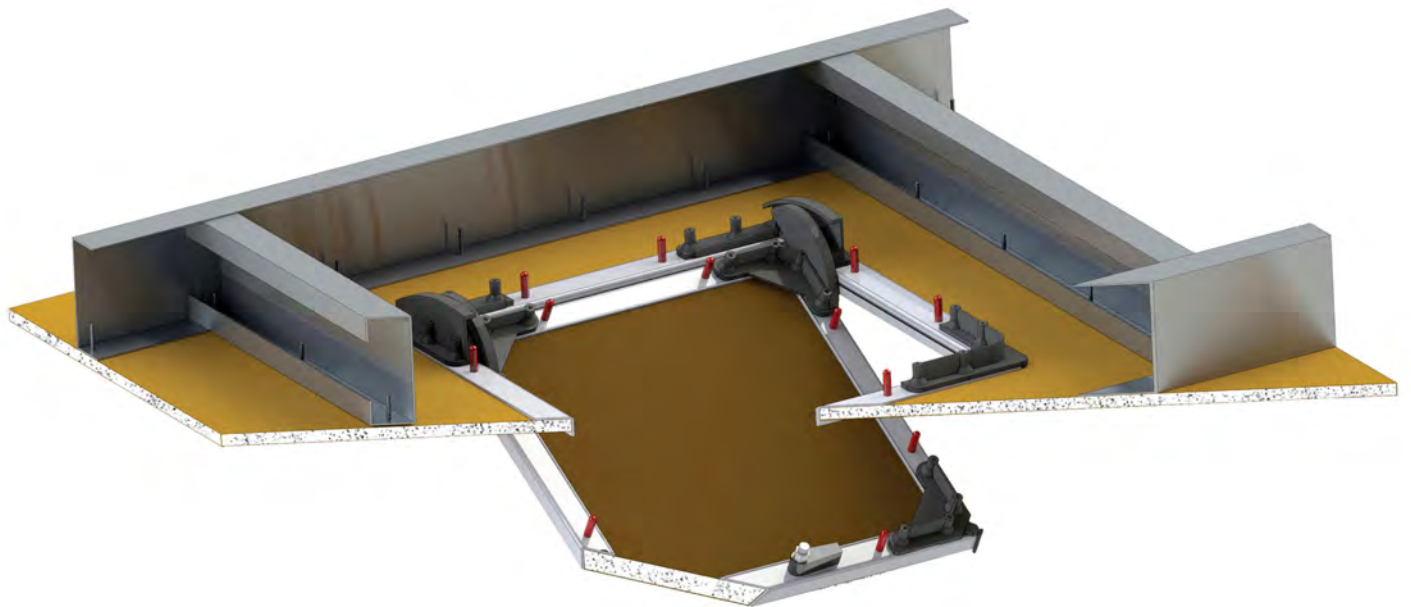


## Step 7: Re-hang Door Leaf and Paint

- Reinstalling the door leaf to the outer frame is the reverse of the removal. Simply position the locating pins of the door leaf into the hinges and fasten the threaded knobs.
- Paint surface with short haired roller (Fig. 7). Avoid filling visible gap (2mm) with paint.

# BAUCO<sup>®</sup> plus

## Fully Hinged Access Panel



**Standard sizes from 8" x 8" to 24" x 36"**

**Custom sizes available from 8" to 60" in increments of 1/8"**

Minimum dimension of length or width is 8". Door sizes can be in increments of 1/8". Doors larger than 16 square feet (2300 square inches) in size or with a length greater than 60" may need to be manufactured as multi-leaf doors.

Some size restrictions may apply to wall installations.

# BAUCO® plus

## FULLY HINGED GYPSUM WALLBOARD ACCESS PANEL

### DESCRIPTION

**BAUCO® plus** is our original concealed hardware access panel for gypsum wallboard (GWB). The door is designed to blend seamlessly into your wall or ceiling. Once installed and finished to match the surrounding surface, all that remains visible is a clean 1/16" reveal with a small radius at the four corners and a flush cam latch with 1/2" (13 mm) diameter. The door is fully hinged and can be removed for unencumbered access.

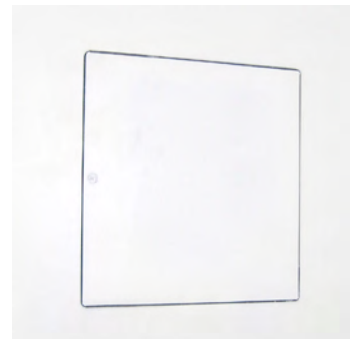
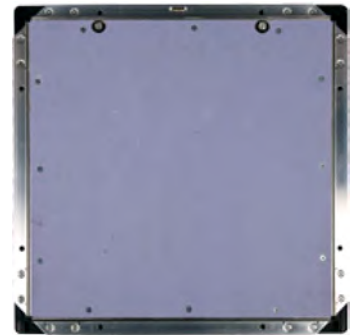
**BAUCO® plus** is available in a wide range of custom sizes.

### FOR USE IN

- All assemblies clad in gypsum wallboard, 1/2" or 5/8"
- Wall or ceiling installation
- New construction or repairs
- Rough openings in GWB without abutting structures
- Maximum clearance with removable door leaf
- This product is not fire rated

### BENEFITS

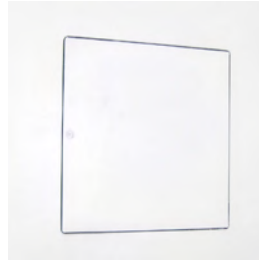
- Virtually invisible access opening
- 1/16" (2 mm) surrounding void and cam latch visible
- Clean, continuous surfaces
- Apply your choice of treatments directly to the door leaf
- Superior acoustics with gasket and mass of GWB in door



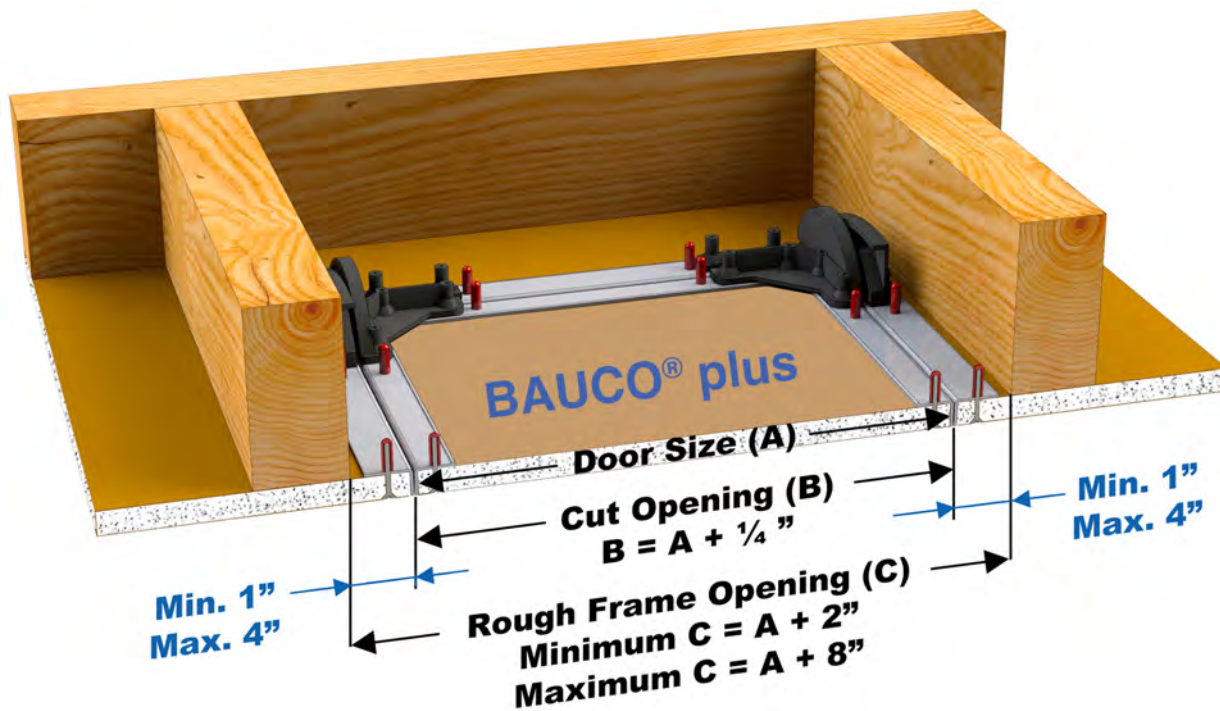


# BAUCO® plus

ARCHITECTURAL ACCESS PANEL WITH CONCEALED HARDWARE AND GYPSUM BOARD INLAY



## FRAMING GUIDE



## STANDARD FEATURES

- Strong aluminum frame and glass fiber-reinforced nylon hardware
- Cam latch flush with surface
- Fully hinged removable door panels, with safety catches
- Perimeter gasket supplied for on site installation after finishing
- Moisture resistant gypsum wallboard inlay
- Installation instructions, self-squaring installation tool

## CUSTOM SIZES AVAILABLE

## LATCH OPTIONS

Touch Latch



Keyed Lock



CAM Latch



TORX Latch

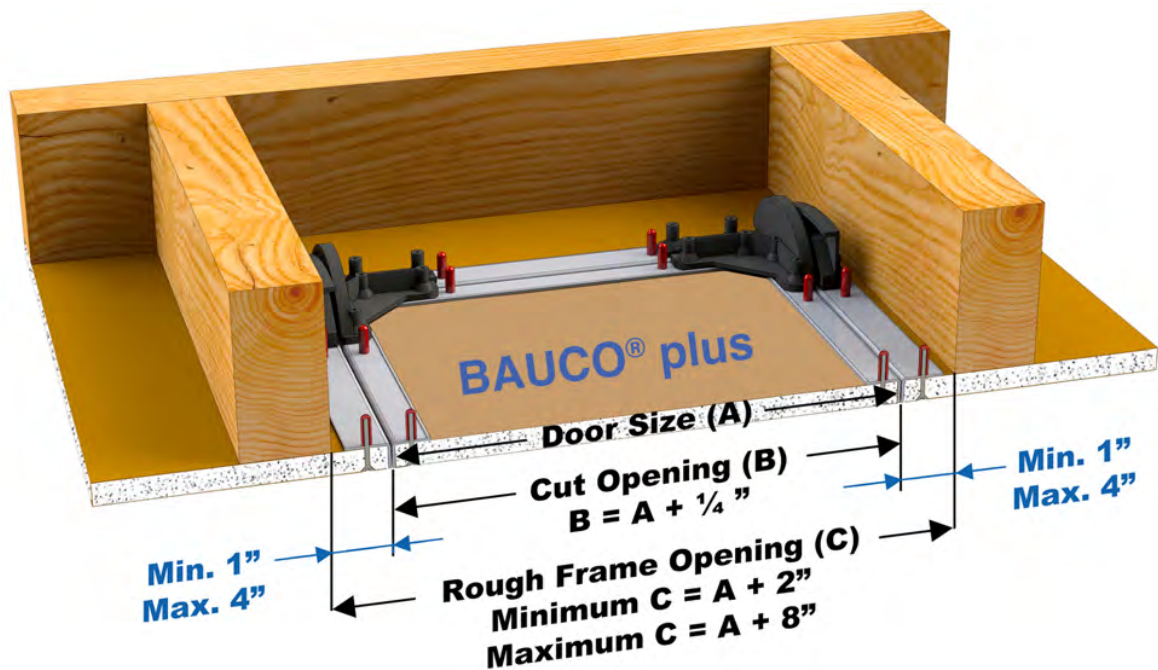


# BAUCO® plus

## IMPERIAL SIZE CHART FOR STANDARD SIZES

Model Number	(A)	(B)	(C)
1/2" and 5/8" Gypsum Wallboard	Door Size (A) Width x Length	Cut Opening in GWB (B) Width x Length	Rough Opening (C) Width x Length
58-0808	8" x 8"	8 1/4" x 8 1/4"	10" x 10"
58-1010	10" x 10"	10 1/4" x 10 1/4"	12" x 12"
58-1212	12" x 12"	12 1/4" x 12 1/4"	14" x 14"
58-1414	14" x 14"	14 1/4" x 14 1/4"	16" x 16"
58-1616	16" x 16"	16 1/4" x 16 1/4"	18" x 18"
58-1818	18" x 18"	18 1/4" x 18 1/4"	20" x 20"
58-2020	20" x 20"	20 1/4" x 20 1/4"	22" x 22"
58-2424	24" x 24"	24 1/4" x 24 1/4"	26" x 26"
58-2436	24" x 36"	24 1/4" x 36 1/4"	26" x 38"

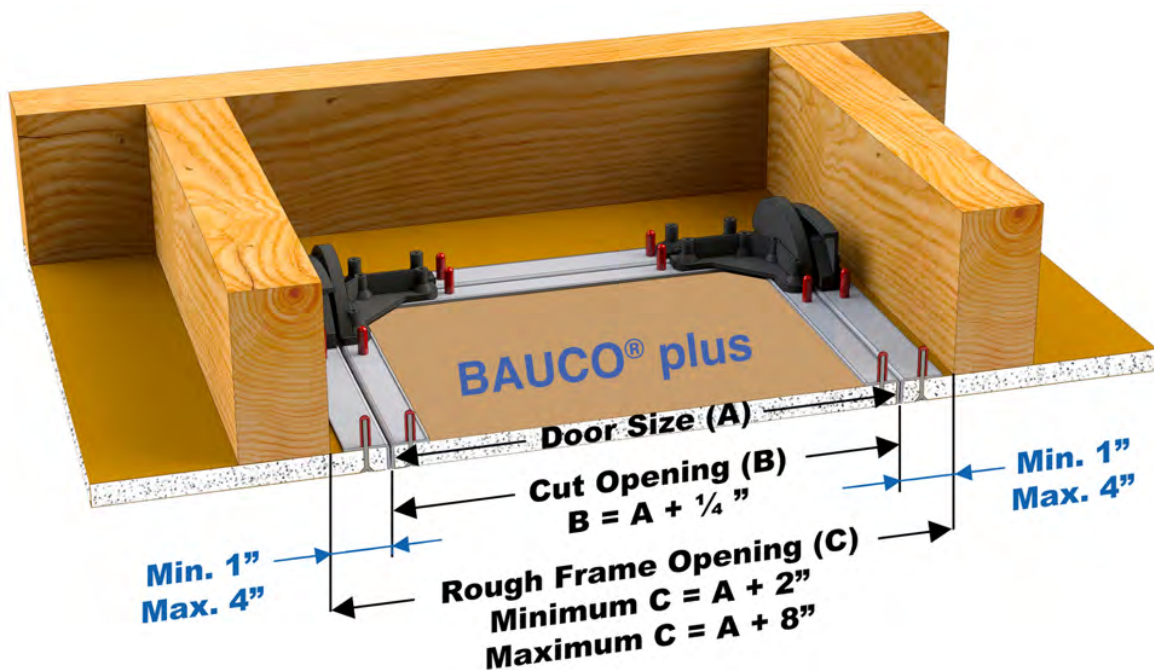
Access door sizes are based on inside dimensions, door size (A)      Inside dimensions, opening in door frame      Door size (A) + 1/4"      Door size (A) + 2" Allows 1/8" play on either side



# BAUCO<sup>®</sup> plus

## METRIC SIZE CHART FOR STANDARD SIZES

Model Number	(A)	(B)	(C)
1/2" and 5/8" Gypsum Wallboard	Door Size (A) Width x Length	Cut Opening in GWB (B) Width x Length	Rough Opening (C) Width x Length
58-0808	203 mm x 203 mm	209 mm x 209 mm	254 mm x 254 mm
58-1010	254 mm x 254 mm	260 mm x 260 mm	305 mm x 305 mm
58-1212	305 mm x 305 mm	311 mm x 311 mm	356 mm x 356 mm
58-1414	356 mm x 356 mm	362 mm x 362 mm	407 mm x 407 mm
58-1616	406 mm x 406 mm	412 mm x 412 mm	457 mm x 457 mm
58-1818	457 mm x 457 mm	463 mm x 463 mm	508 mm x 508 mm
58-2020	508 mm x 508 mm	514 mm x 514 mm	559 mm x 559 mm
58-2424	610 mm x 610 mm	616 mm x 616 mm	661 mm x 661 mm
58-2436	610 mm x 914 mm	616 mm x 920 mm	661 mm x 965 mm
Access door sizes are based on inside dimensions, door size (A)	Inside dimensions, opening in door frame	Door size (A) + 1/4"	Door size (A) + 51 mm allows 32 mm play on either side



# BAUCO PLUS SINGLE LEAF WALL OR CEILING ACCESS PANEL - SLOTTED CAM LATCH

## FOR USE IN:

- ASSEMBLIES CLAD IN GYPSUM WALLBOARD 1/2" (13 mm) OR 5/8" (16 mm)
- NEW CONSTRUCTION OR REPAIRS
- ROUGH OPENINGS IN GWB WITHOUT ABUTTING STRUCTURES

## FRAME:

- RECESSED ALUMINUM EXTRUSIONS
- FRAME ACTS AS FINISHING EDGE
- 1/16" (2 mm) GAP BETWEEN FRAME AND DOOR

## STANDARD FEATURES:

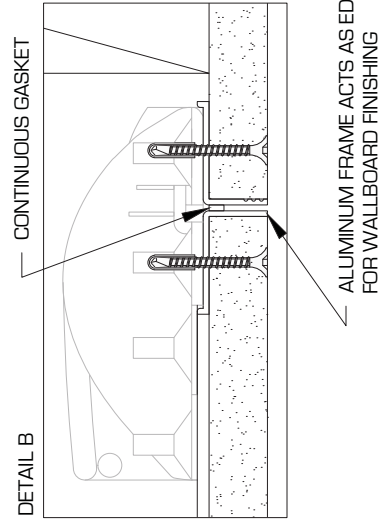
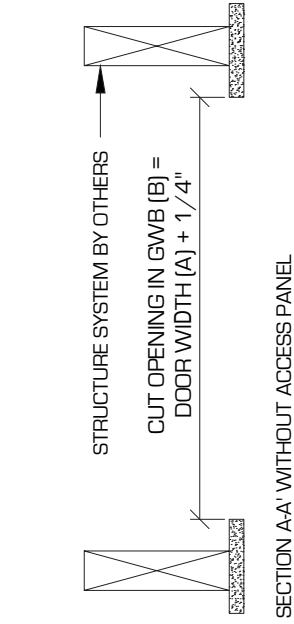
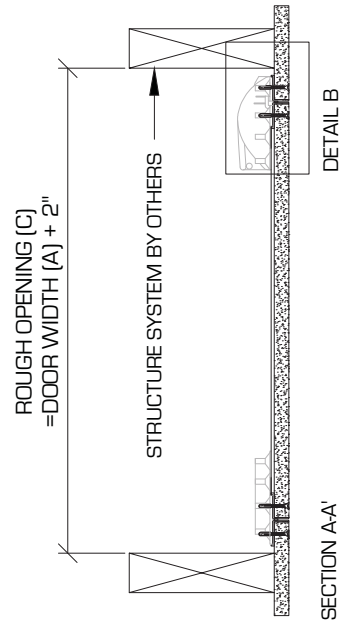
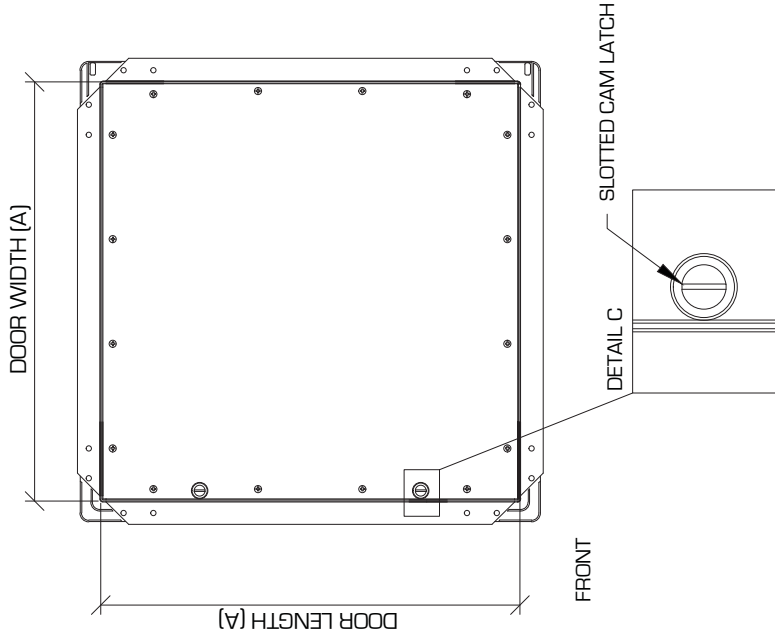
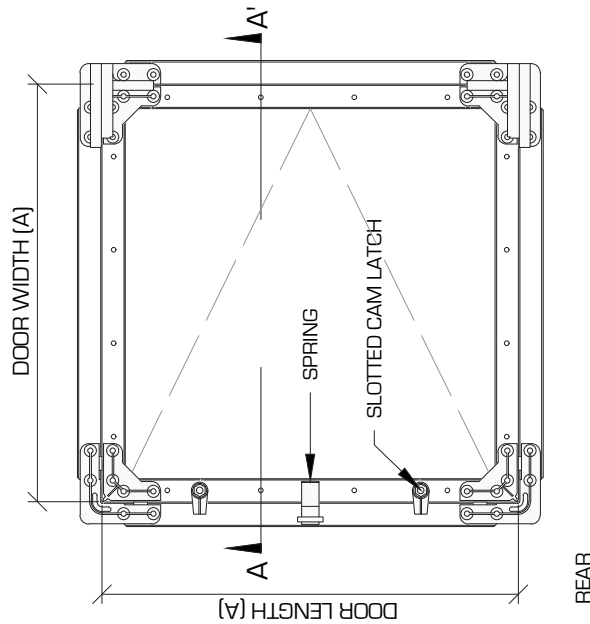
- STRONG CONCEALED ALUMINUM FRAME AND GLASS FIBRE REINFORCED NYLON HARDWARE
- CAM LATCH FLUSH WITH SURFACE.
- FULLY HINGED REMOVABLE DOOR PANELS WITH INTEGRATED SAFETY CABLES
- MOISTURE RESISTANT GWB INLAY
- PERIMETER GASKET ENCLOSED
- INSTALLATION INSTRUCTIONS, SELF-SQUARING INSTALLATION TOOL

## HINGE:

- UNIQUE, PATENTED NON-CORRODING 2-POINT PIN HINGE, ALLOWS DOOR TO OPEN TO 90 DEGREES
- DOOR CAN BE REMOVED FOR MAXIMUM CLEARANCE

## LATCH:

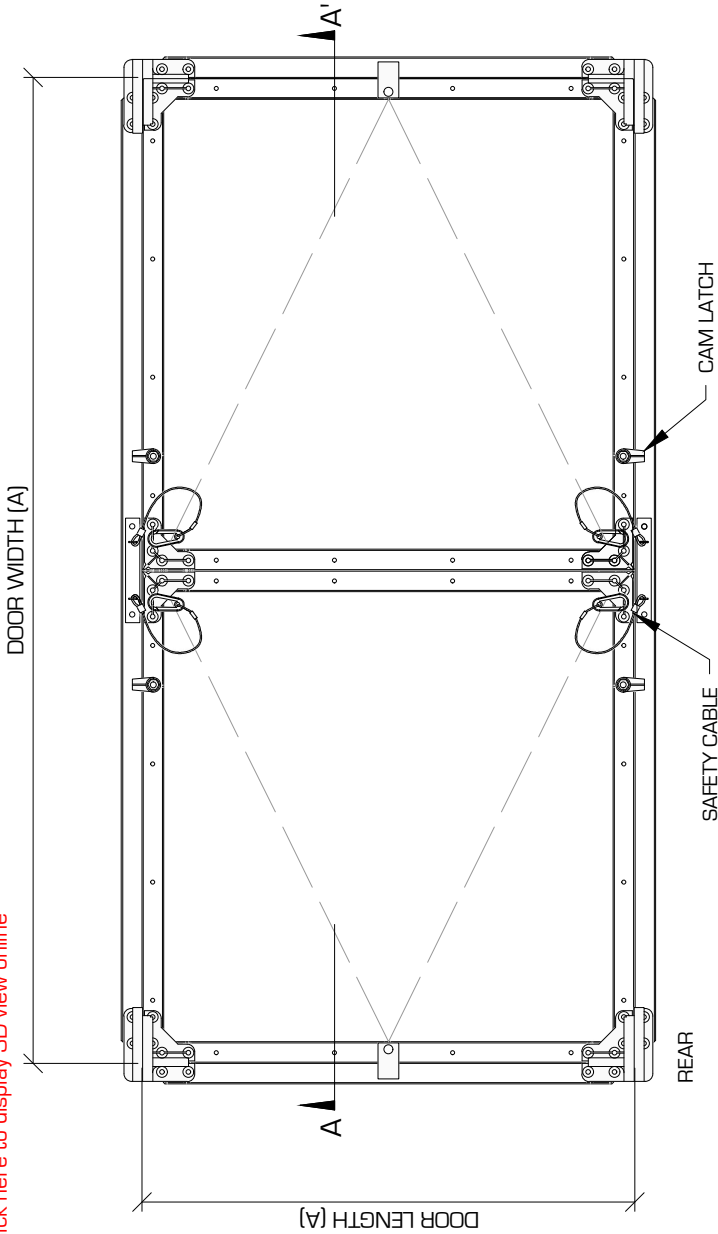
- CAM LATCH (STANDARD)
- CONCEALED TOUCH-LATCH (OPTIONAL)
- TAMPER RESISTANT CAM LATCH (OPTIONAL)
- KEYED LOCK (OPTIONAL)





# BAUCO PLUS DOUBLE LEAF WALL OR CEILING ACCESS PANEL - CAM LATCH

www.accesspanelsolutions.com



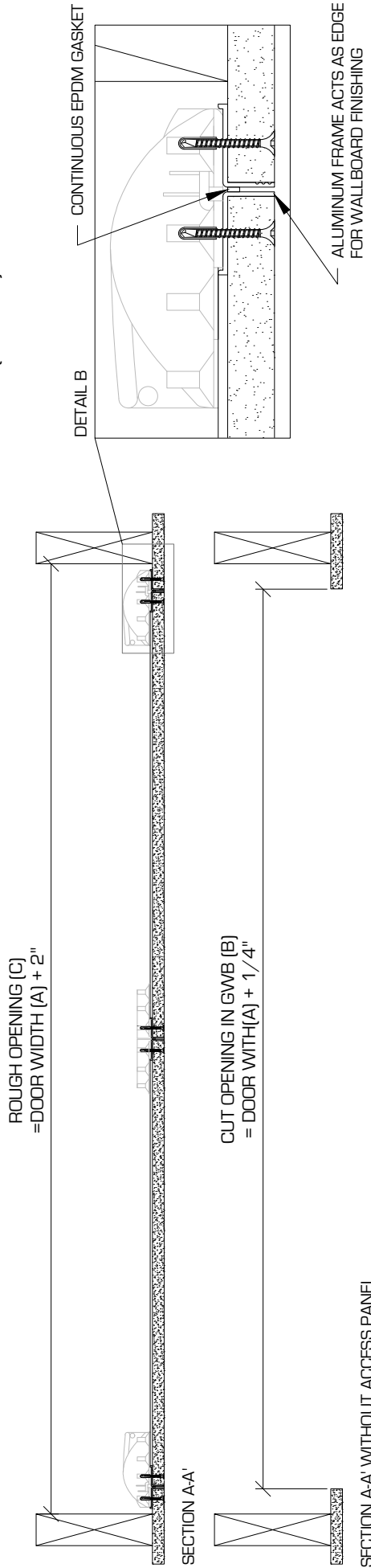
- FOR USE IN:**
- ASSEMBLIES CLAD IN GYPSUM WALL BOARD 1/2" (13 mm) OR 5/8" (16 mm)
  - NEW CONSTRUCTION OR REPAIRS
  - ROUGH OPENINGS IN GWB WITHOUT ABUTTING STRUCTURES

- FRAME:**
- RECESSED ALUMINUM EXTRUSIONS
  - FRAME ACTS AS FINISHING EDGE
  - 1/16" (2mm) GAP BETWEEN FRAME AND DOOR

- STANDARD FEATURES:**
- STRONG CONCEALED ALUMINUM FRAME AND G.F.P. HARDWARE
  - CONCEALED MECHANICAL TOUCH-LATCH
  - LIFT-OUT DOORS WITH SAFETY CABLES
  - MOISTURE RESISTANT GWB INLAY
  - PERIMETER GASKET ENCLOSED

- HINGE:**
- CONCEALED NON-CORRODING 2-POINT PIN HINGE, ALLOWS DOOR TO OPEN TO 90 DEGREES
  - DOOR CAN BE REMOVED FOR MAXIMUM CLEARANCE

- LATCH:**
- CONCEALED TOUCH LATCH (STANDARD)
  - CAM LATCH (OPTIONAL)
  - TAMPER RESISTANT CAM LATCH (OPTIONAL)
  - KEYED LOCK (OPTIONAL)



SECTION A-A' WITHOUT ACCESS PANEL

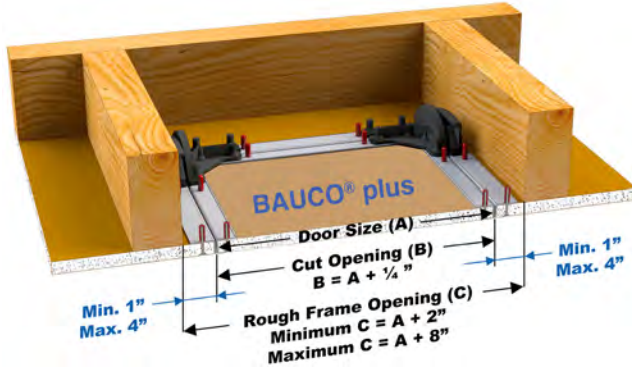
**BAUCO® plus** ARCHITECTURAL ACCESS PANEL WITH CONCEALED HARDWARE AND GYPSUM BOARD INLAY

# BAUCO<sup>®</sup> plus

## INSTALLATION INSTRUCTIONS



### FRAMING GUIDE



1. Frame/block as outlined above (or page 52)

2. Install the red safety catches onto the access panel. The hooks prevent the door from swinging down when the latches are opened in a ceiling installation. Open the access panel door and insert the short leg of each hook in the space between black plastic and aluminum along the latch side of the door. Hooks will catch on outside frame unless pushed out of the way.

3. Inserting installation aides (yellow). With the door closed, insert the yellow installation handle from the back of the panel next to each of the hinge corners. The handle fits through the gap between door and frame.

4. Placing access panel into rough opening. Pass the access panel through the opening and use the yellow installation handles to pull firmly into position.

5. Placing self drilling drywall screws into frame. Pull frame against gypsum board and place first fastener through board into aluminum frame. Check alignment in opening and place second fastener diagonal to the first fastener. Move handle along the frame and place more fasteners on 3" spacing. Open door and move handles onto the remaining two sides of panel. Close the door and continue placing fasteners.

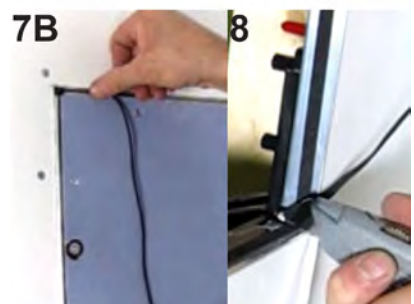
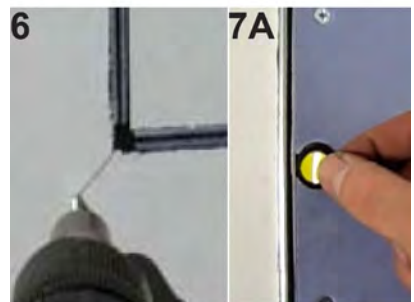
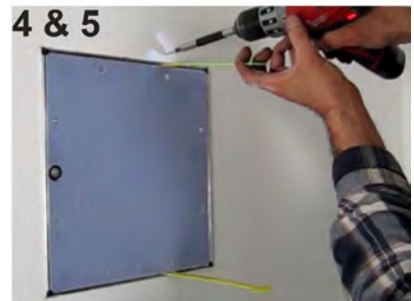
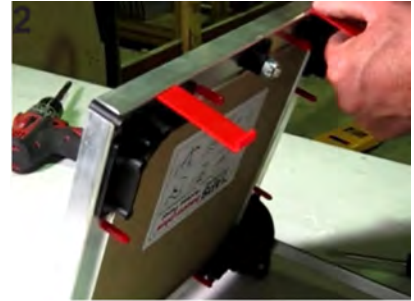
6. Corner fasteners. Mark fastener position in all four corners. Their right position is at 45 degrees at 7/8" (24 mm) from the door corner.

*Note: Fasteners **should not be placed** into the door hinge mechanism.*

*Tip: If door does not want to open: clean the gap between door and frame. Check that fasteners have not been set into the hinge mechanism and are blocking its function.*

7. Finishing/mudding. Remove installation handles. Place safety caps onto fastener tips. Close door. Place the self-adhesive masking disk on each latch head and use elastic cord to mask the gap between door and frame. Mud to proud edge of aluminum frame. Remove elastic cord. Avoid mud in the hinge mechanism.

8. Sand until the edge of the aluminum frame is fully visible. Do not leave any compound covering the edge as it will break off. Remove masking disks from latch heads. Clean frame. Apply gasket along back edge of the outside frame. Cut to appropriate length. Do not cover where plastic hinge interferes.



**Project Name:**  
**Project Number:**

**Item Number:**  
**Item Description:**

Manufacturer:	Bauco Access Panel Solutions		
Address:	834 Devonshire Road, Victoria, BC Canada V9A 4T4		
Telephone:	1-250-592-0033	Toll-free Telephone:	1-877-592-0033
Fax:	1-250-592-7587	Toll-free Fax:	1-877-592-7587
Email:	info@accesspanelsolutions.com		

**Model Number:** 58-\_\_\_\_ \*series for installation in 5/8" and 1/2" gypsum wallboard

**Model Name:** **BAUCO® plus** access panel for drywall

**Description:** Virtually invisible access panel installs flush with wall and ceiling finishes. Hardware-free finish, opens with concealed hinges and cam latches. May be removed for full access, complete with safety catches. Suitable for new construction and repairs. Panels arrive ready for installation with factory installed gypsum board inlay. Door panel receives the same finish as the surrounding surface. Aluminum extrusion with gypsum board installed, non-corrosive hardware, safety devices, installation kit, and bracing where needed.  
Standard: cam latches. Options: touch latches, keyed latches, tamper-resistant latches special board.

**Finishing:** No bead required. Feather mud so that after the 3<sup>rd</sup> layer no irregularities shall be visible to the unaided eye at a distance of 1.5 m.



**Dimensions:** Standard sizes: 8" x 8", 10" x 10", 12" x 12", 14" x 14", 16" x 16", 18" x 18", 20" x 20", 24" x 24", 24" x 36".  
We can manufacture custom sizes with short lead times.

**Sizing:** For a proper fit, the rough opening has to be 2" wider and longer than the door size, to a maximum of 8".

**Notes:** Cut opening in the gypsum wallboard will be the door size + 1/4".

\* Last 4 digits indicate panel size: 58-1818 = 18" x 18" square panel.

\*\* The last 2 digits are the hinged side.

# BAUCO<sup>®</sup> plus LEED Statement

## LEED FOR BAUCO<sup>®</sup> plus ACCESS PANELS WITH GYPSUM BOARD INLAY

Our team is committed to operating our facilities with environmentally friendly processes, as well as manufacturing our BAUCO<sup>®</sup> access panels which help architects, dealers, distributors, and end users to achieve the highest possible level of certification. We are ready to assist in your LEED certification documentation.

### MANUFACTURING LOCATION

BAUCO<sup>®</sup> plus II , BAUCO<sup>®</sup> plus, BAUCO<sup>®</sup> air, and BAUCO<sup>®</sup> rondo access door products are manufactured in Victoria, British Columbia, Canada.

### MATERIALS

The gypsum wallboard inlay shipped with our doors is manufactured by CGC Inc., a member of the U.S. Green Building Council. Other brand products are available upon request. CGC Inc. manufactures the USG Sheetrock Gypsum Panels in Rainer, OR.

### RECYCLING CONTENT

Material Content by Weight	% of Total	Post-industrial Recycled Content	Post-consumer Recycled Content	Total Recycled %
Aluminum Extrusion	19%	25%		4.8%
Steel Hardware*	1%	50%		0.5%
Nylon Hardware	6%			0%
Gypsum Wallboard	73%		21%	15.3%
Total Weight	100%			20.6%

\* Vendors report recycling content up to 90%, but this figure can vary

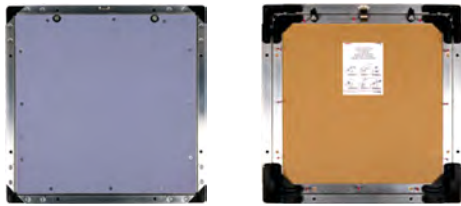
The above data refers to a 24" x 24" (610mm x 610mm) panel.

Other sizes present a similar distribution.

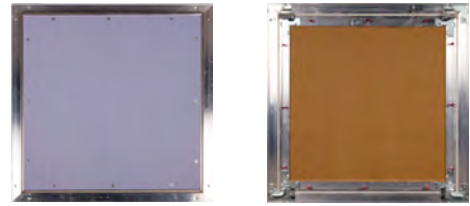


# PRODUCT COMPARISON

## BAUCO® plus



## BAUCO® plus II



### Best Suited For

- Wall applications that require a fixed hinge door

- All wall or ceiling applications
- Custom sizes, short lead times
- Large custom openings

### Standard Latch

- Cam latch flush with finish

- Concealed mechanical touch latch

### Hinge Features

- Door swings open to 90 degrees
- Non-corroding 2-point hinge
- Door can be unhinged for maximum clearance

- Free pivoting hinge
- Door can be unhinged for maximum clearance

### Frame and Hardware

- Strong concealed aluminum frame
- Glass fiber reinforced nylon hardware

- Strong concealed aluminum frame
- Galvanized steel hardware

### Perimeter Gasket

- Self-adhesive, closed cell foam gasket
- Installed on site

- EPDM rubber gasket factory installed
- Wipes clean after panel installation

### Corner Aesthetics

- Radius corners

- Square corners

### Wall Operation

- Opens like a door
- Hinge typically on vertical side

- Opens like a chute
- Door lifts out for access
- Hinge must be on floor side



### Ceiling Operation

- Automatic safety catches (red)
- Panel swings down to 90 degrees

- Safety cable with clip
- Panel swings down to 90 degrees



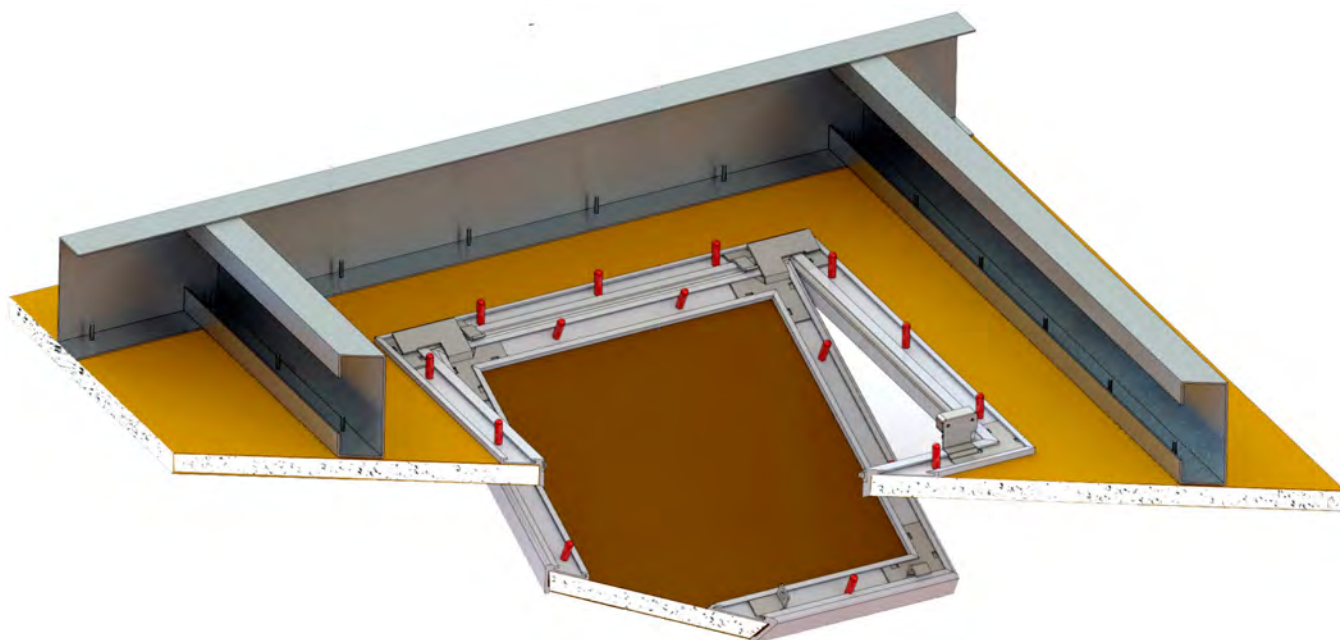
### FINISH

- Flush finish
- Surface treatments can be applied

- Flush finish
- Surface treatments can be applied

# BAUCO® plus II

## Product Guide Specifications



Bauco Access Panel Solutions Inc.  
834 Devonshire Road  
Victoria, BC, Canada V9A 4T4  
Toll Free (877) 592-0033  
Toll Free Fax (877) 592-7587  
Phone (250) 592-0033  
Fax (250) 595-0513  
Web Site [www.accesspanelsolutions.com](http://www.accesspanelsolutions.com)  
E-mail [info@accesspanelsolutions.com](mailto:info@accesspanelsolutions.com)

## Product Guide Specifications

Specifier Notes: This product guide specification is written according to the Construction Specifications Institute (CSI) Format, including *MasterFormat*, *SectionFormat*, and *PageFormat*, contained in the *CSI Manual of Practice*.

The section must be carefully reviewed and edited by the Architect to meet the requirements of the project and local building code. Coordinate this section with other specification sections and the drawings.

Delete all "Specifier Notes" when editing this section.

## SECTION 083100 ACCESS DOORS/PANELS

Specifier Notes: This section covers the Bauco Access Panel Solutions Inc. *baucoplus II* access doors. Consult Bauco Access Panel Solutions for assistance in editing this section for your specific application.

### **PART 1: GENERAL**

#### **1.1 RELATED DOCUMENTS**

Drawings and general provisions of the contract, including supplementary conditions and Division 1 specification sections, apply to this section.

#### **1.2 SUMMARY**

SECTION 083100 includes access panels for the following types of installations:

- A. **Wall** access panels
- B. **Ceiling** access panels

#### **1.3 RELATED SECTIONS:**

Applicable related specification sections:

- A. Section 061053 - Miscellaneous Rough Carpentry.
- B. Section 080000 - Door Hardware" for mortise cylinder lock.

- C. Section 092116 - Gypsum Board Assemblies.
- D. Section 092300 - Gypsum Plastering.
- E. Section 160000 “Ceiling Access Panels” for ballasts and transformers.

#### **1.4 SUBMITTALS**

- A. General: In accordance with conditions of Division 1 specifications
- B. Manufacturer’s submittals documents and installation instructions.

Specifier Notes: baucoplus II submittal documents and installation instruction download link  
<http://accesspanelsolutions.com/products/bauco-plus11/downloads>

#### **1.5 QUALITY ASSURANCE**

- A. Provide all access panels for the project by the same manufacturer.
- B. So there shall be no division of responsibility all access panels shall be supplied by a single manufacturer under a single contract.
- C. Obtain design professional’s approval for all panel sizes that vary from the general dimensions listed in these specifications, if they are not in accordance with manufacturer’s standards.

#### **1.6 COORDINATION & RESPONSIBILITY FOR ACCESS PANELS ON SITE**

- A. Determine specific locations and sizes for access panels needed to gain access to concealed equipment & indicate on schedule specified under “submittals” article.
- B. Access panels to gain access to equipment specified in Division 15 & 16 and where panels are not shown on drawings are to be provided by the applicable subcontractor and in compliance with requirements listed in these sections.

#### **1.7 DELIVERY, STORAGE AND HANDLING**

- A. Package and ship in manufacturer’s original, unopened containers and packaging, with labels clearly identifying product name and manufacturer.
- B. Store indoors in a dry area out of direct sunlight in compliance to manufacturer’s instructions.
- C. Protect materials and finishes from damage during handling and installation.

### **PART 2: PRODUCTS**

#### **2.1 MANUFACTURER / DISTRIBUTOR**

Bauco Access Panel Solutions Inc.  
834 Devonshire Road, Victoria, BC, V9A 4T4 Canada  
Toll-Free Tel: 1-877-592-0033 or 1-250-592-0033  
Toll-Free Fax: 1-877-592-plus (7587) or 1-250-595-0513  
info@accesspanelsolutions.com www.accesspanelsolutions.com



## 2.2 GENERAL PURPOSE ACCESS PANELS:

- A. **baucoplus-II series:** Non-rated recessed access doors with concealed hardware and gypsum board inlay for flush installation.
- B. **Material Overview:** Extruded aluminum alloy 6063-T6 frames and supports complete with 5/8" (15.9 mm) or 1/2" (12.7 mm) moisture and mold resistant gypsum board inlay and galvanized internal steel corner reinforcing. Zinc-plated hardened steel screws, free pivot hinge, safety cable with carabineer hook, vinyl screw caps, and EPDM rubber gaskets.
- C. **Door:** Fabricate using 2.8 mm thick extruded aluminum alloy 6063-T6 frame, screwed in place gypsum board inlay complete with galvanized internal steel corner reinforcing. Exposed top edge of frames shall have a concave meniscus rise to 0.5mm thick to accept finishing compound allowing a near invisible flush frame finish.
- D. **Frame:** Recessed aluminum frame shall provide an edge similar to drywall bead against which the ceiling or wall surface shall be finished allowing a near invisible flush frame finish. Fabricate using 2.8mm thick extruded aluminum alloy 6063-T6 frame, complete with galvanized internal steel corner reinforcing. Frame opening complete with perimeter EPDM gasket maintaining the STC of gypsum board assembly.

Specifier Notes: The following are the frame models. Delete type not required.  
Product code for 5/8" gypsum board: product code 20-58-2424  
Product code for 1/2" gypsum board: product code 20-12-2424

Frame model specification:  
BPII 58 - for 5/8 board  
BPII 12 - for 1/2" board

- E. **Board:** Access Panel inlay shall equal the wall & ceiling specifications to ensure acoustic integrity.

Specifier Notes: The following are the board options. Delete types not required.

Board Inlay specification:  
baucoplus-II supplied standard with moisture and mold resistant gypsum board inlay  
baucoplus-II supplied with tile backer board  
baucoplus-II supplied with increased STC rating options  
baucoplus-II supplied with other wallboard specification as required

- F. **Hinge Detail:** Concealed, galvanized steel free pivot hinge shall allow all doors to open 120 degrees. All access panel doors shall be fully removable and complete with a safety cable to secure doors to panel frames with a safety cable, test rated for 135lb (61kg), nylon coated, with crimp connections and spring snap aluminum carabiner.

Specifier Notes: Hinge location examples:  
18" x 24" panel for ceiling installation hinged on the 24" side: product code 20-58-1824  
48" Vertical x 24" Horizontal for wall installation: product code 20-58-4824

**G. Hinge Location:**

baucoplus-II panels for ceiling installation will be hinged on the longest side unless specified. When baucoplus-II panels are used in a wall installation, the hinges must be located on the floor side. The last 2 digits of the product code will always be the hinge location, and always the horizontal measurement for a wall installation.

**H. Latching/Locking devices:**

Concealed touch latch – standard

Specifier Notes: The following are additional latch options. Delete if not required. Alternate latch options can be added in addition to the touch latches for additional security. For example a 24" x 24" panel with two touch latches and centered key operated cylinder lock.

(Optional) Slotted screwdriver cam latch  
(Adds –CAM to product code)

(Optional) Key operated cylinder lock, (2) keys per lock, keyed alike  
(Adds –K to product code)

(Optional) Tamper-resistant torx head cam latches  
(Adds –TX to product code)

**I. Finish:** baucoplus-II series access panels require finishing using common trade tools. For best results, setting-type gypsum finishing compound is recommended. Apply compound separately to the door leaf and surrounding wall or ceiling area up to recessed access panel frame. No taping required. Door shall receive the same finish and paint as the surrounding surfaces. When installed and finished the access panel shall be completely flush with the wall or ceiling surface and only a one sixteenth of an inch shadow gap shall be visible.

**J. General Access Panel Dimensions For 5/8" Gypsum board:**  
baucoplus-II series shall come in the following standard sizes:

Size	Model Number	Description
6" x 6"	20-58-0606	6" x 6" (152mm x 152mm) baucoplus II access panel, 5/8" gypsum inlay, non-rated, concealed touch latch, free pivot hinge
8" x 8"	20-58-0808	8" x 8" (203mm x 203mm) baucoplus II access panel, 5/8" gypsum inlay, non-rated, concealed touch latch, free pivot hinge
10" x 10"	20-58-1010	10" x 10" (254mm x 254mm) baucoplus II access panel, 5/8" gypsum inlay, non-rated, concealed touch latch, free pivot hinge
12" x 12"	20-58-1212	12" x 12" (304mm x 304mm) baucoplus II access panel, 5/8" gypsum inlay, non-rated, concealed touch latch, free pivot hinge
14" x 14"	20-58-1414	14" x 14" (356mm x 356mm) baucoplus II access panel, 5/8" gypsum inlay, non-rated, concealed touch latch, free pivot hinge
16" x 16"	20-58-1616	16" x 16" (406mm x 406mm) baucoplus II access panel, 5/8" gypsum inlay, non-rated, concealed touch latch, free pivot hinge
18" x 18"	20-58-1818	18" x 18" (457mm x 457mm) baucoplus II access panel, 5/8" gypsum inlay, non-rated, concealed touch latch, free pivot hinge
20" x 20"	20-58-2020	20" x 20" (508mm x 508mm) baucoplus II access panel, 5/8" gypsum inlay, non-rated, concealed touch latch, free pivot hinge
24" x 24"	20-58-2424	24" x 24" (610mm x 610mm) baucoplus II access panel, 5/8" gypsum inlay, non-rated, concealed touch latch, free pivot hinge
24" x 36"	20-58-2436	24" x 36" (610mm x 914mm) baucoplus II access panel, 5/8" gypsum inlay, non-rated, concealed touch latch, free pivot hinge

- K. **General Access Panel Dimensions For 1/2" Gypsum board:**  
baucoplus-II series shall come in the following standard sizes:

Size	Model Number	Description
6" x 6"	20-12-0606	6" x 6" (152mm x 152mm) baucoplus II access panel, 1/2" gypsum inlay, non-rated, concealed touch latch, free pivot hinge
8" x 8"	20-12-0808	8" x 8" (203mm x 203mm) baucoplus II access panel, 1/2" gypsum inlay, non-rated, concealed touch latch, free pivot hinge
10" x 10"	20-12-1010	10" x 10" (254mm x 254mm) baucoplus II access panel, 1/2" gypsum inlay, non-rated, concealed touch latch, free pivot hinge
12" x 12"	20-12-1212	12" x 12" (304mm x 304mm) baucoplus II access panel, 1/2" gypsum inlay, non-rated, concealed touch latch, free pivot hinge
14" x 14"	20-12-1414	14" x 14" (356mm x 356mm) baucoplus II access panel, 1/2" gypsum inlay, non-rated, concealed touch latch, free pivot hinge
16" x 16"	20-12-1616	16" x 16" (406mm x 406mm) baucoplus II access panel, 1/2" gypsum inlay, non-rated, concealed touch latch, free pivot hinge
18" x 18"	20-12-1818	18" x 18" (457mm x 457mm) baucoplus II access panel, 1/2" gypsum inlay, non-rated, concealed touch latch, free pivot hinge
20" x 20"	20-12-2020	20" x 20" (508mm x 508mm) baucoplus II access panel, 1/2" gypsum inlay, non-rated, concealed touch latch, free pivot hinge
24" x 24"	20-12-2424	24" x 24" (610mm x 610mm) baucoplus II access panel, 1/2" gypsum inlay, non-rated, concealed touch latch, free pivot hinge
24" x 36"	20-12-2436	24" x 36" (610mm x 914mm) baucoplus II access panel, 1/2" gypsum inlay, non-rated, concealed touch latch, free pivot hinge

- L. **Single Leaf Custom Doors:** Minimum dimension of length or width is 6". Door sizes can be in increments of 1/8". Doors larger than 2300 square inches in size or with a length greater than 60" may need to be manufactured as multi leaf doors.

Custom size example: single leaf 16 1/8" x 40" for 5/8" drywall with touch latches.  
*Product code: 20-58-16.1240*

Contact manufacturer for assistance in determining the correct product type for your application.

Specifier Notes: baucoplus II multi leaf submittal download links  
<http://www.accesspanelsolutions.com/products/bauco-plus11/downloads>

- M. **Multi Leaf Custom Doors:** Multi leaf access panels shall be used to achieve a large clear opening. There are no cross bars required. Added to the end of the product code is a **-2** for two leaves or **-3** for three leaves.

Custom size example: double leaf 48" x 48" for 5/8" drywall with touch latches.  
*Product code: 20-58-4848-2*

Contact manufacturer for assistance in determining the correct product type for your application.

- N. **Access Panel Sizing:** baucoplus-II dimensions in model number refer to clear opening in door.

- O. **Framing:** For a proper fit between framing members the rough framed opening will be 2 1/2" greater than product code sizing. This 2 1/2" allowance provides the door frame size 1 1/8" plus 1/8" allowance on all sides of the panel.

## **2.3 FABRICATION**

- A. Manufacture each access panel assembly as an integral unit ready for site installation.
- B. Furnish number of latches required to hold door flush for a smooth uniform panel appearance when closed.
- C. Larger sizes bracing will be added to add rigidity and/or prevent sagging.
- D. Supply rear of panel door with acoustic treatment when specified.
- E. Provide installation instructions with each panel.
- F. Rear of panel door leaf label indicating product model and size

## **PART 3: EXECUTION**

### **3.1 EXAMINATION**

- A. Examine areas to receive access doors. Notify Architect if areas are not acceptable. Do not begin installation until unacceptable conditions have been corrected.

### **3.2 PREPARATION**

- A. Advise installers of work relating to access panel installation including rough opening dimensions, locations of supports, and anchoring methods. Coordinate delivery with other work to avoid delay.

Specifier Notes: baucoplus II Video and PDF installation instructions links

<http://www.accesspanelsolutions.com/products/bauco-plus11/downloads>

<https://vimeo.com/42736039> (single-leaf installation video)

<https://vimeo.com/55570466> (multi-leaf installation video)

### **3.3 INSTALLATION**

- A. Follow manufacturer's instructions for installing access panels. Install access doors plumb, level, and square.
- B. Anchor frames securely in place.
- C. Set frames to proper alignment with the wall or ceiling.
- D. Position access panels for proper access to concealed equipment requiring access.

### **3.4 ADJUST AND CLEAN**

- A. Adjust panel after installation for proper operation. Remove drywall compound from hinge, frame and door leaf edge. Clean the frame and door with a damp cloth.
- B. Remove and replace panels or frames that are warped, bowed, or damaged.

**END OF SECTION**